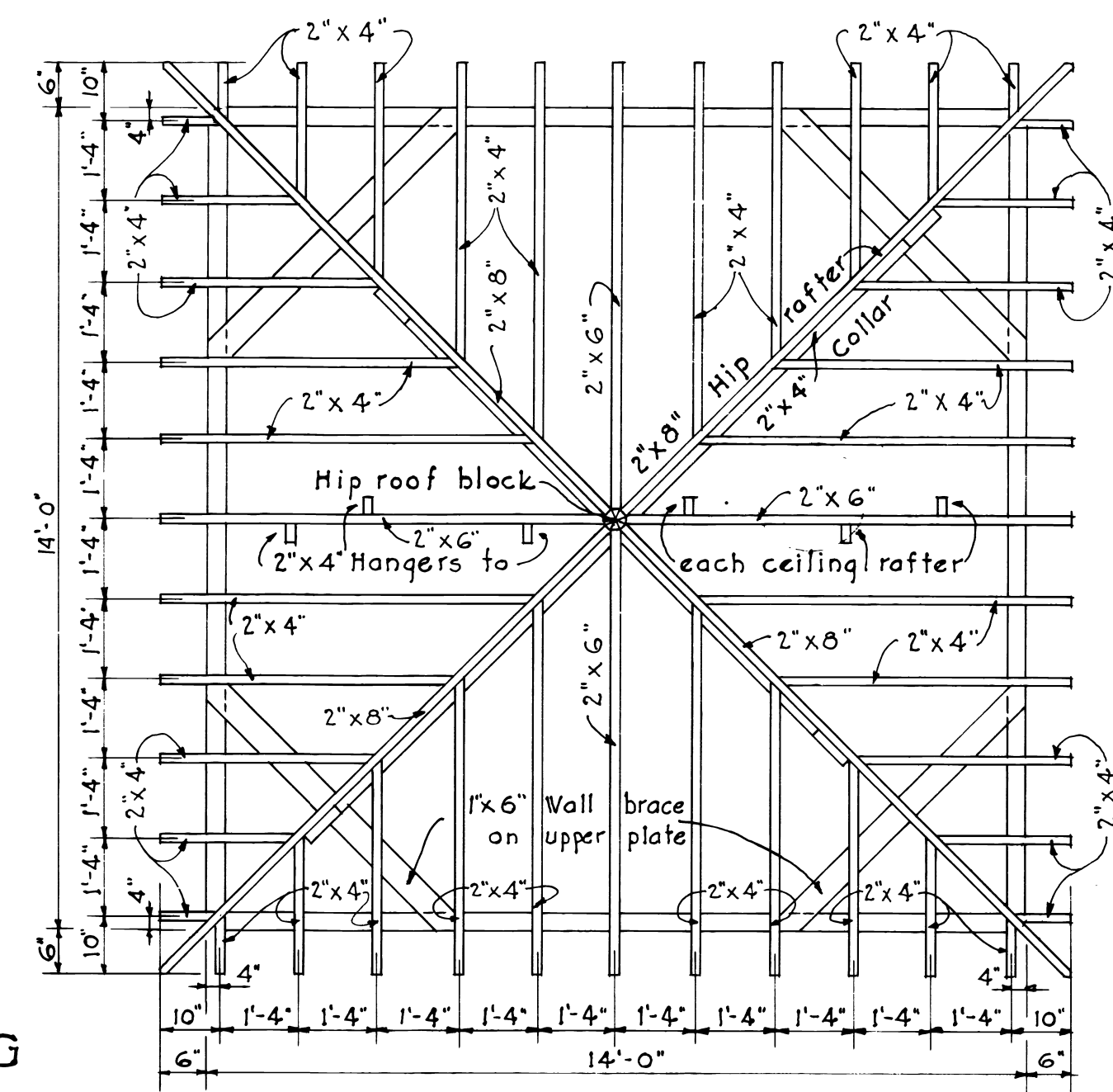
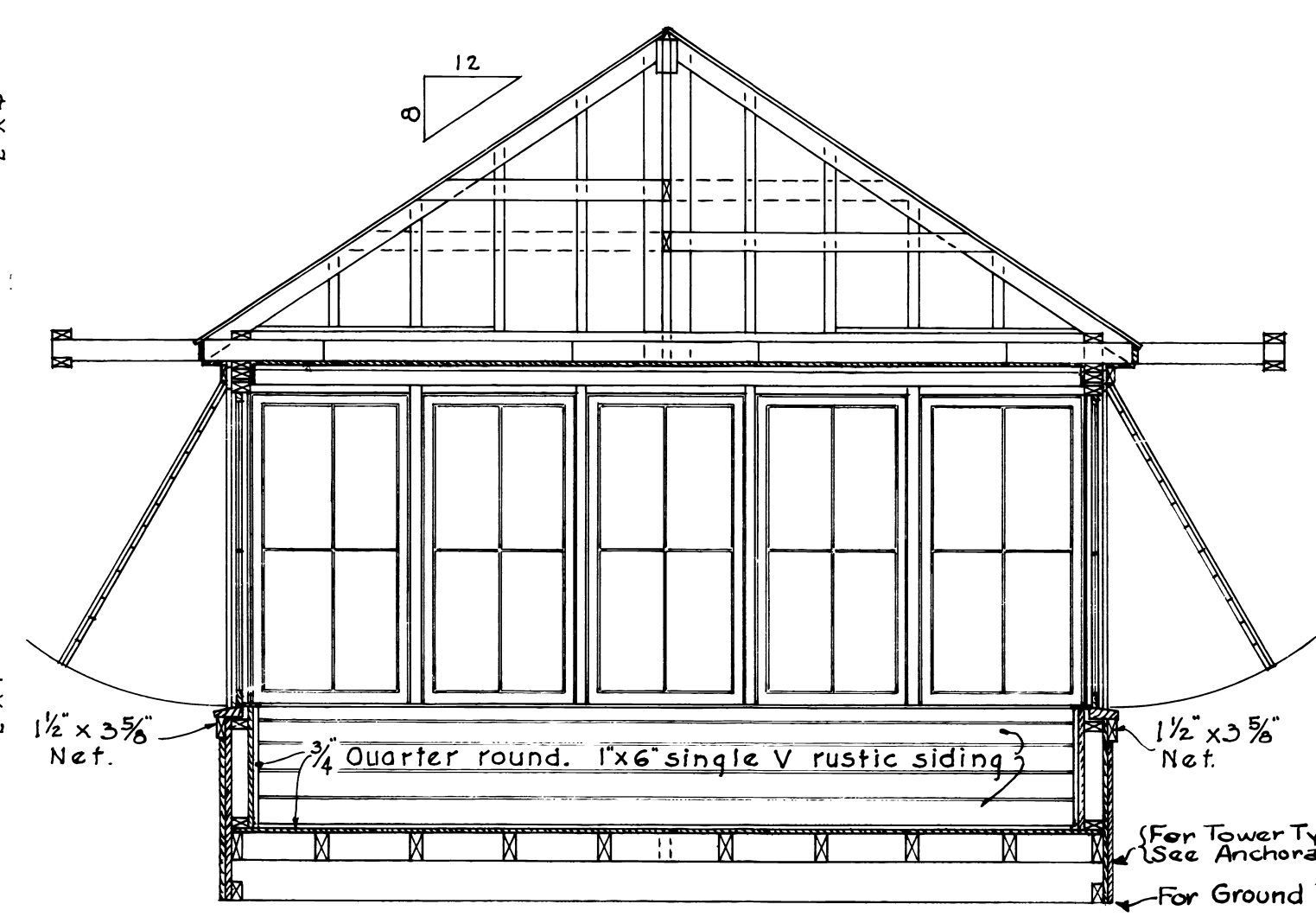


SECTION SHOWING SIDEWALL FRAMING
Scale, $\frac{3}{8}$ " = 1'-0"

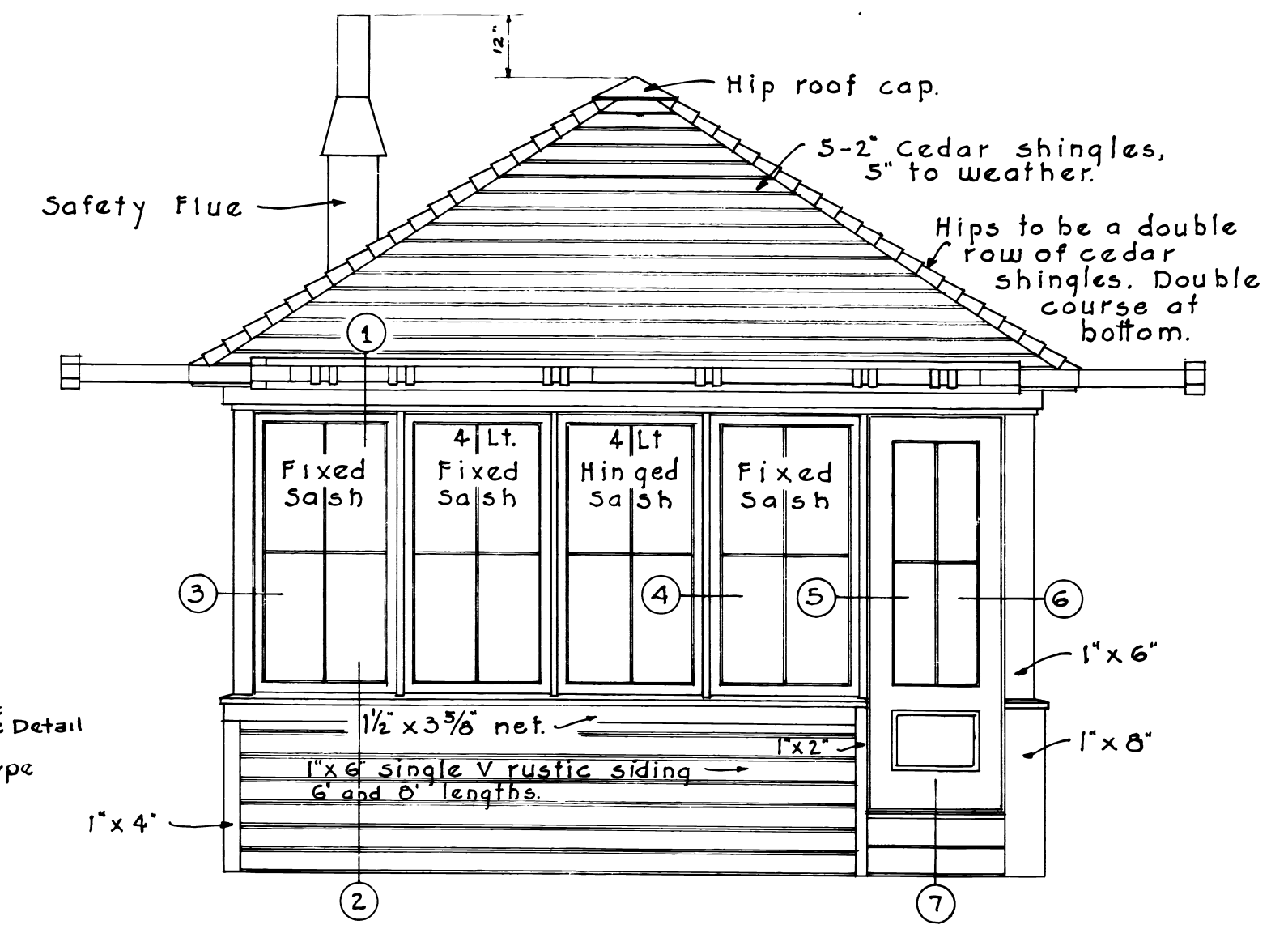


ROOF FRAMING PLAN
Scale, $\frac{3}{8}$ " = 1'-0"

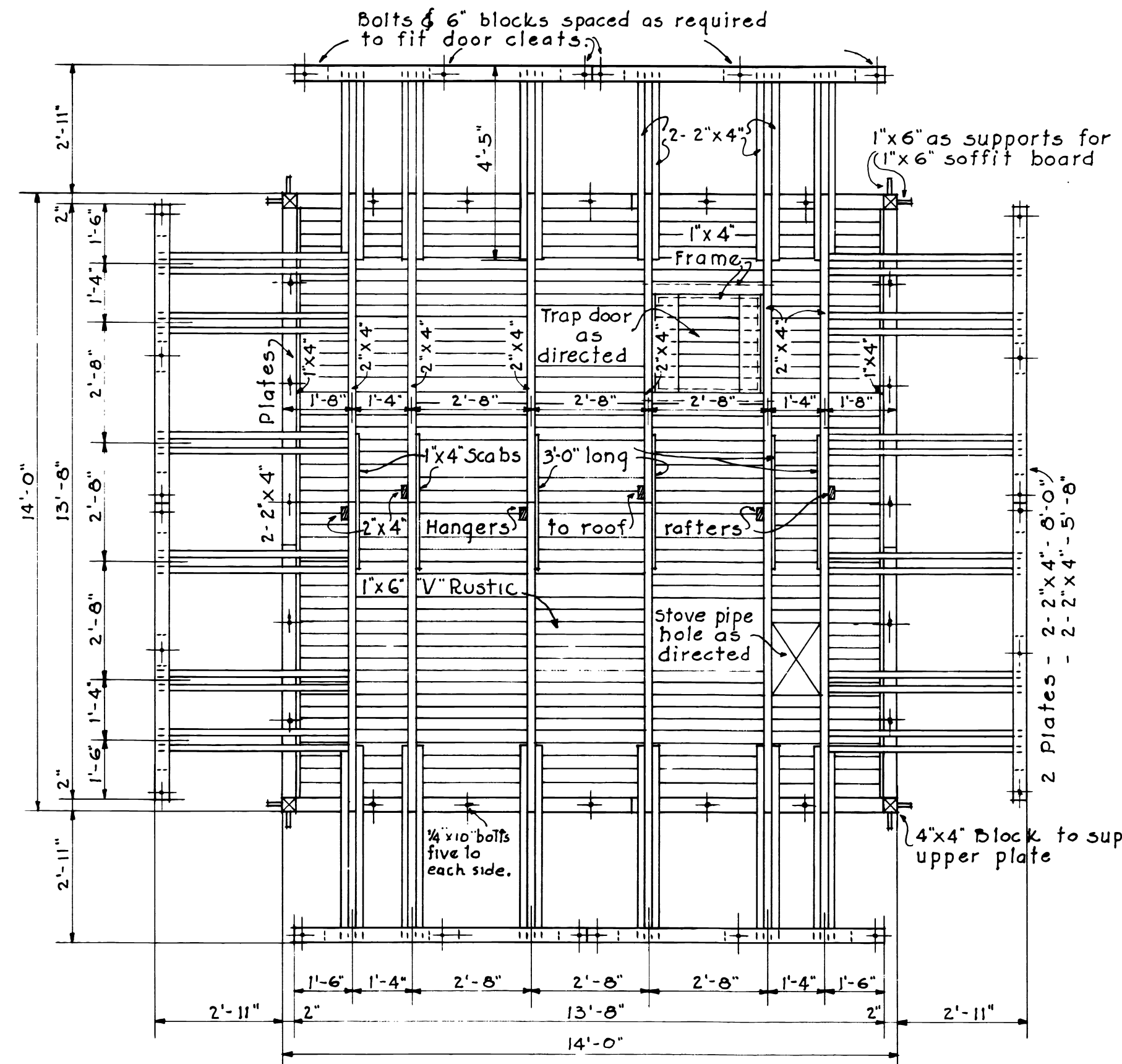
NOTE: All rafters shown above to be S1S1E, Full Size.



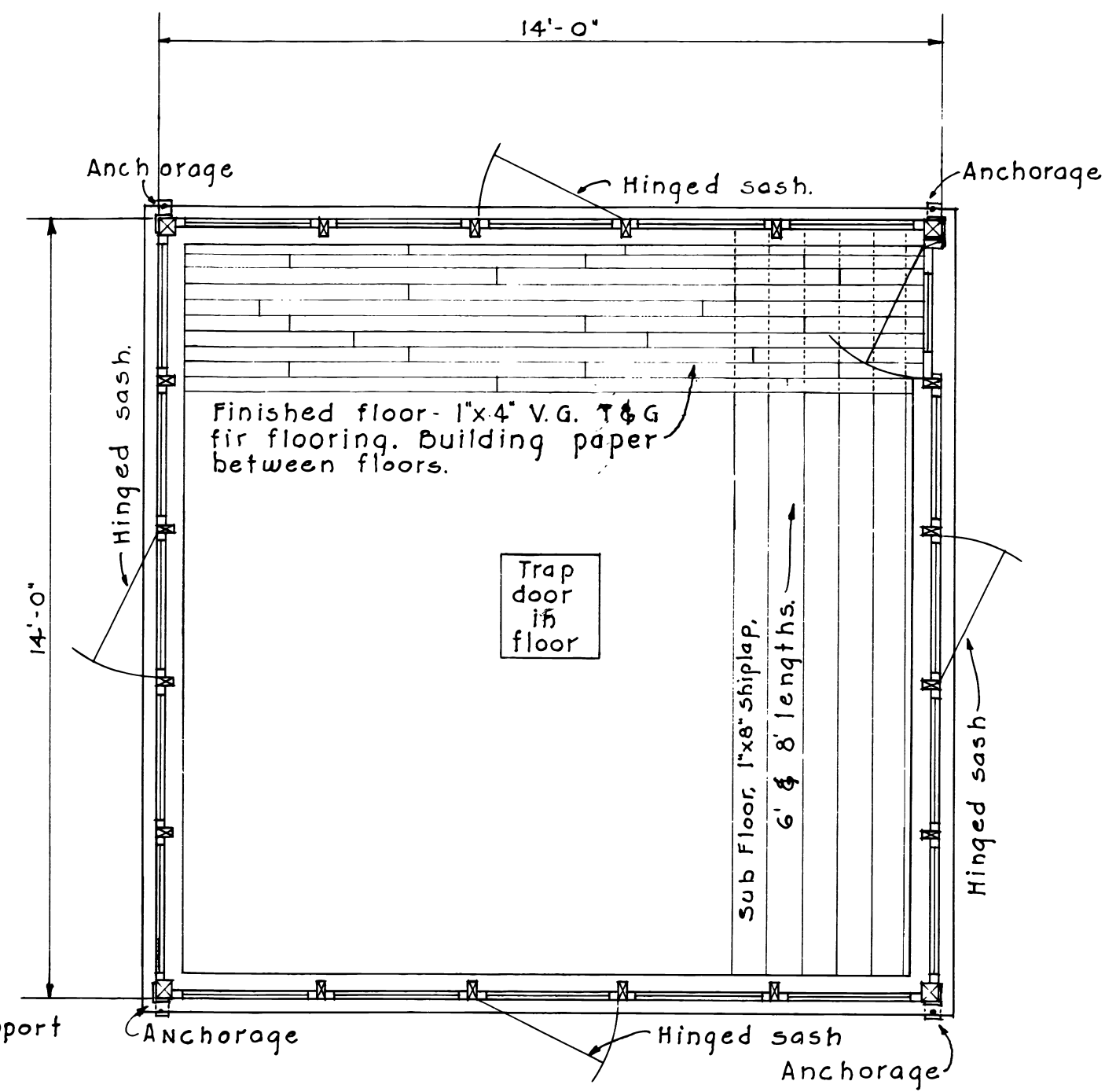
SECTION
Scale, $\frac{3}{8}$ " = 1'-0"



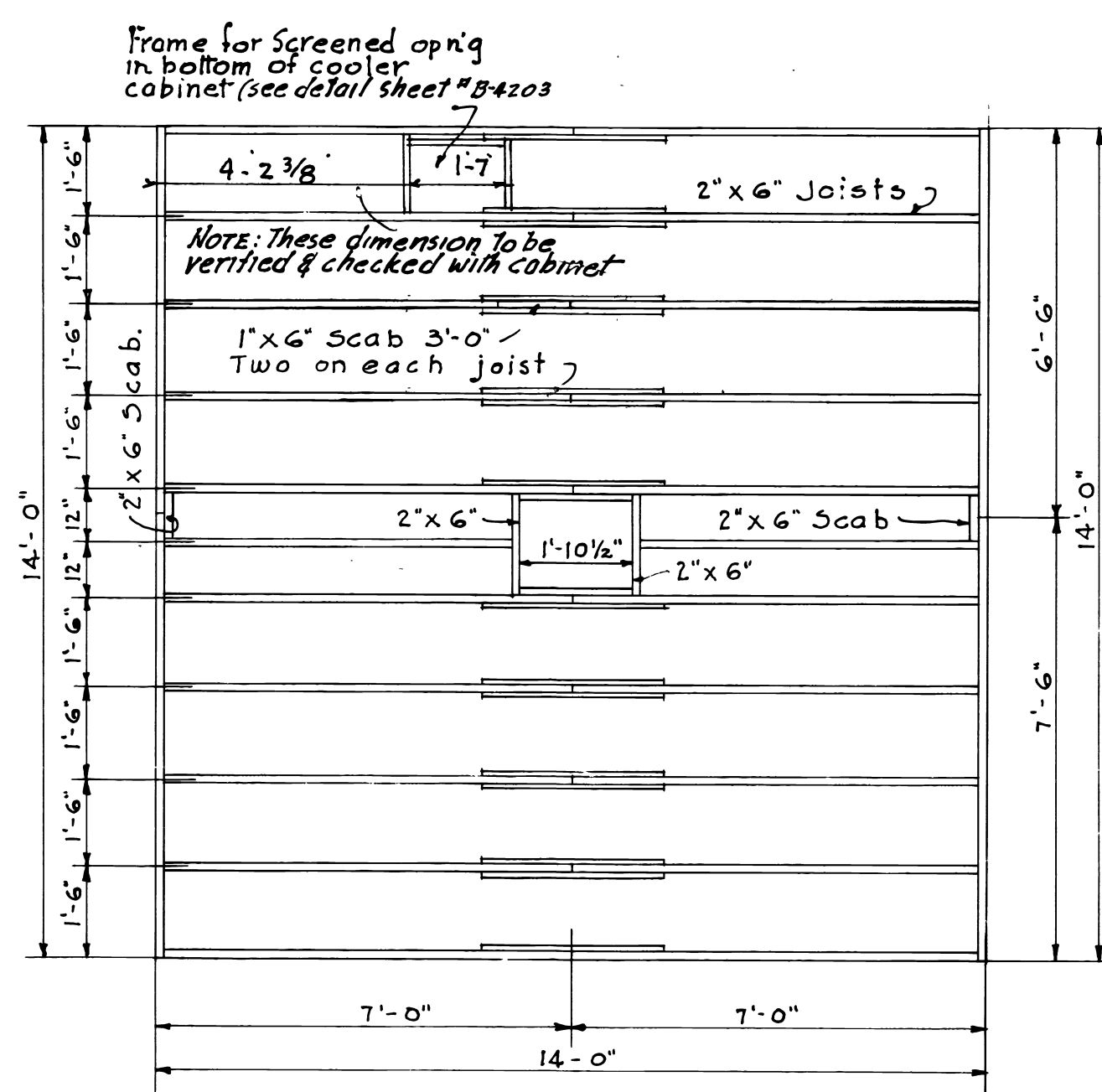
ELEVATION
Scale, $\frac{3}{8}$ " = 1'-0"



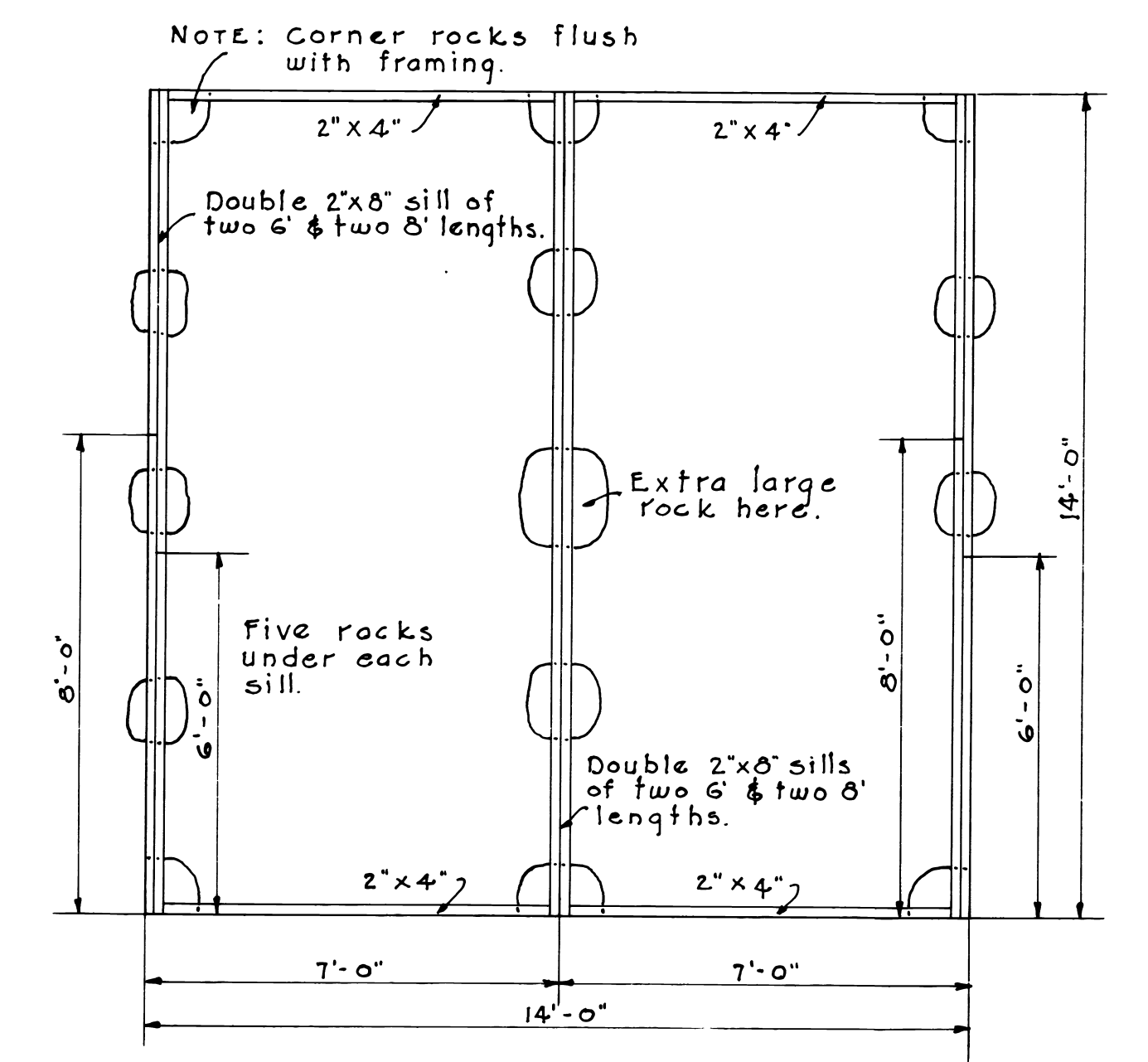
CEILING FRAMING PLAN
Scale, $\frac{3}{8}$ " = 1'-0"



FLOOR PLAN
Scale, $\frac{3}{8}$ " = 1'-0"



JOIST FRAMING PLAN
Scale, $\frac{3}{8}$ " = 1'-0"



FOUNDATION & SILL PLAN
FOR TYPES G-TH & G-HP
EXCEPT WHERE CATWALK IS USED
(SEE NOTE ON THIS SHEET)
Scale, $\frac{3}{8}$ " = 1'-0"

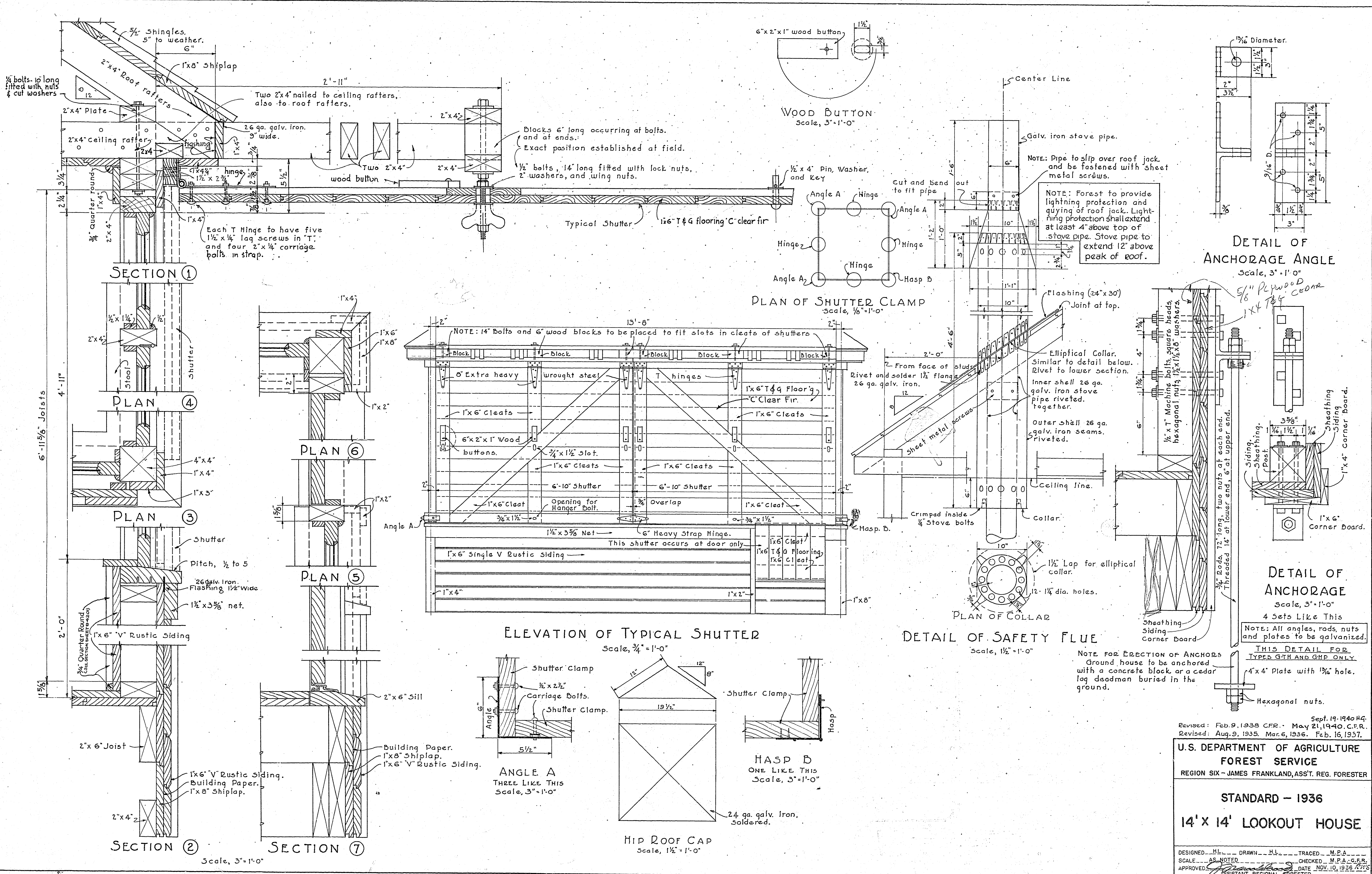
NOTE
SEE DETAIL SHEET B-4203
FOR SILL PLAN OF GROUND
TYPE L.O. HOUSE WITH
CATWALK.

Revised: Mar. 6, 1936. Feb. 16, 1937. May 21, 1940.
SEPT. 19, 1945 H.F. M.P.A.
MAY 21, 1940 C.F.R.

U.S. DEPARTMENT OF AGRICULTURE
FOREST SERVICE
REGION SIX - JAMES FRANKLAND, ASST. REG. FORESTER

STANDARD - 1936
14' X 14' LOOKOUT HOUSE

DESIGNED H.L. DRAWN H.L. TRACED M.P.A.
SCALE AS NOTED CHECKED M.P.A. C.F.R.
APPROVED J. Frankland DATE NOV. 10, 1936
ASSISTANT REGIONAL FORESTER



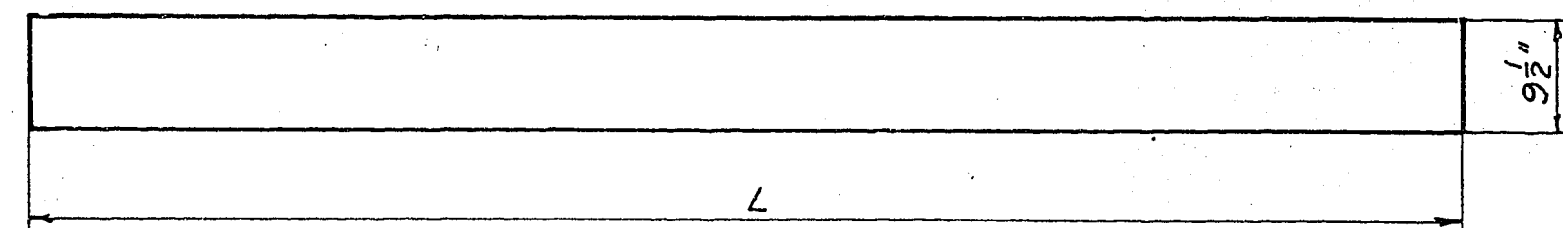
Revised: Feb. 9, 1938 C.F.R. May 21, 1940 C.F.R.
 Revised: Aug. 9, 1935. Mar. 6, 1936. Feb. 16, 1937.

U.S. DEPARTMENT OF AGRICULTURE
 FOREST SERVICE
 REGION SIX - JAMES FRANKLAND, ASS'T. REG. FORESTER

STANDARD - 1936
 14' X 14' LOOKOUT HOUSE

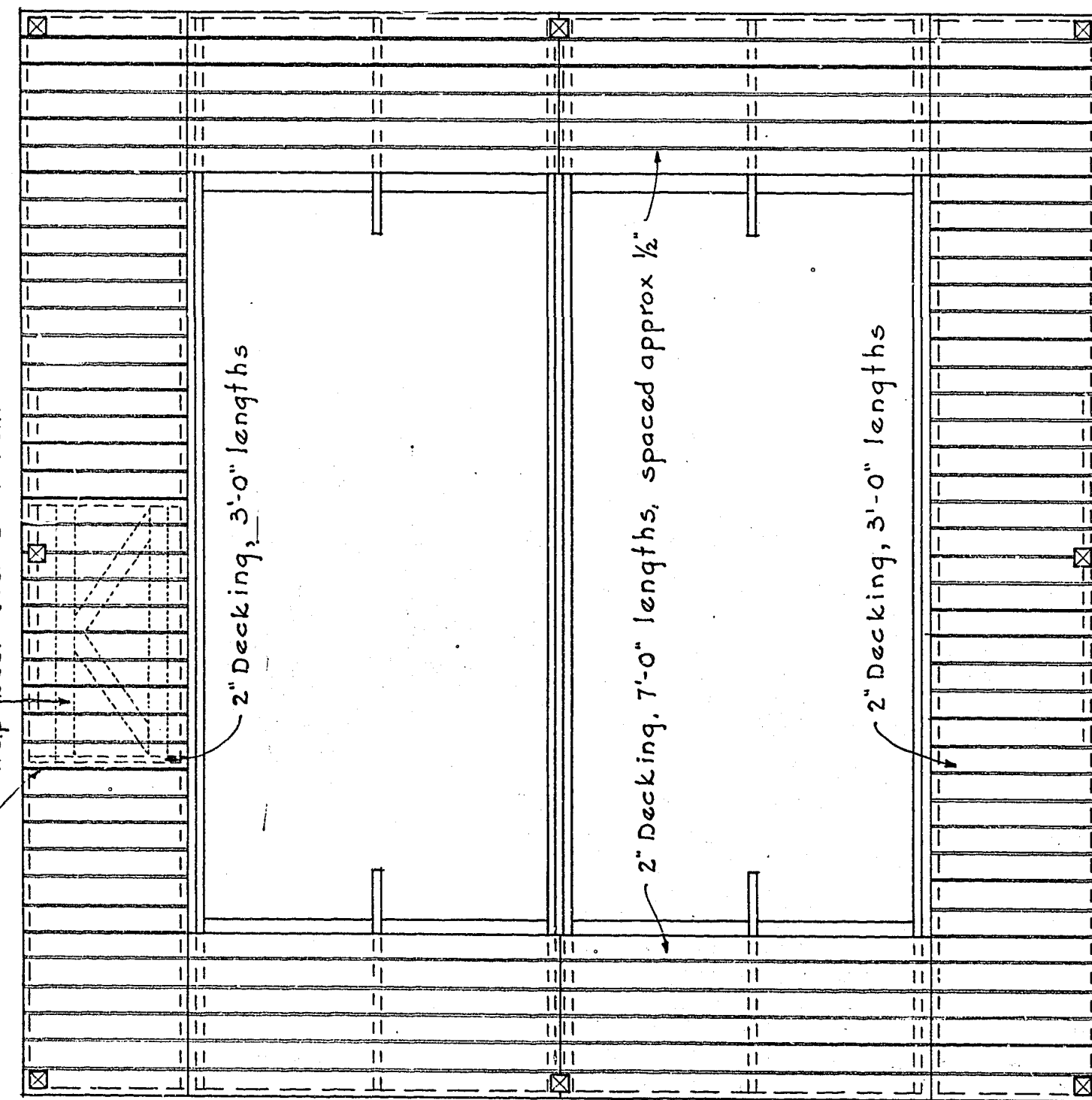
DESIGNED... H.L. DRAWN... H.L. TRACED... M.P.A.
 SCALE... AS NOTED CHECKED... M.P.A. G.S.R.
 APPROVED... DATE NOV. 10, 1936
 ASSISTANT REGIONAL FORESTER

Sep. 19, 1940 H.G.
 SHEET 2 OF 5 SHEETS B-4202

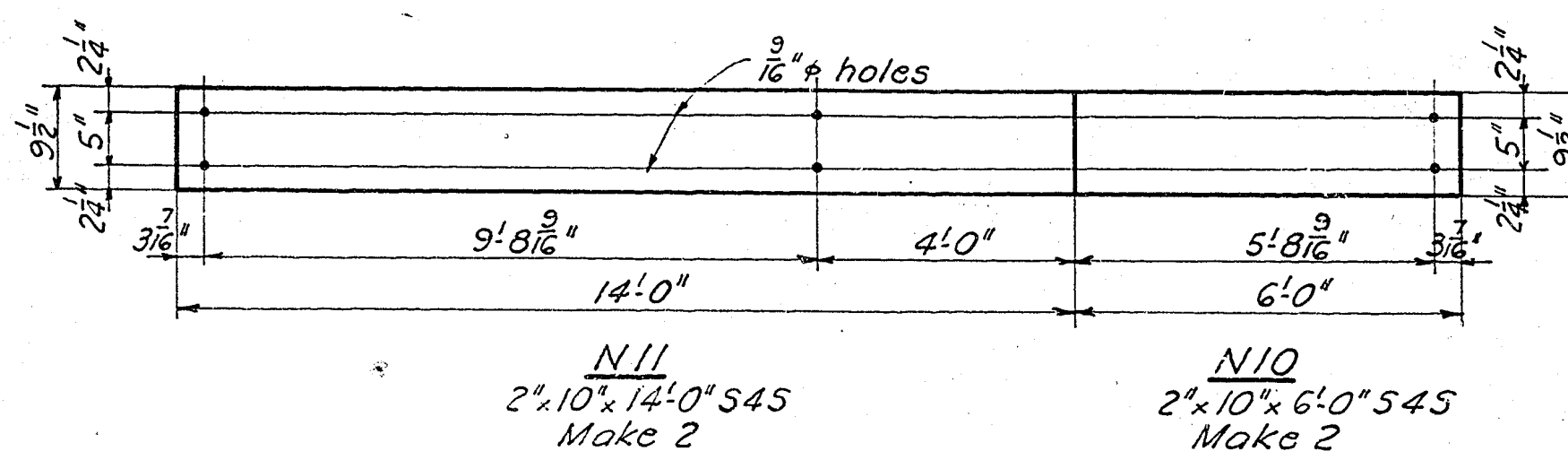
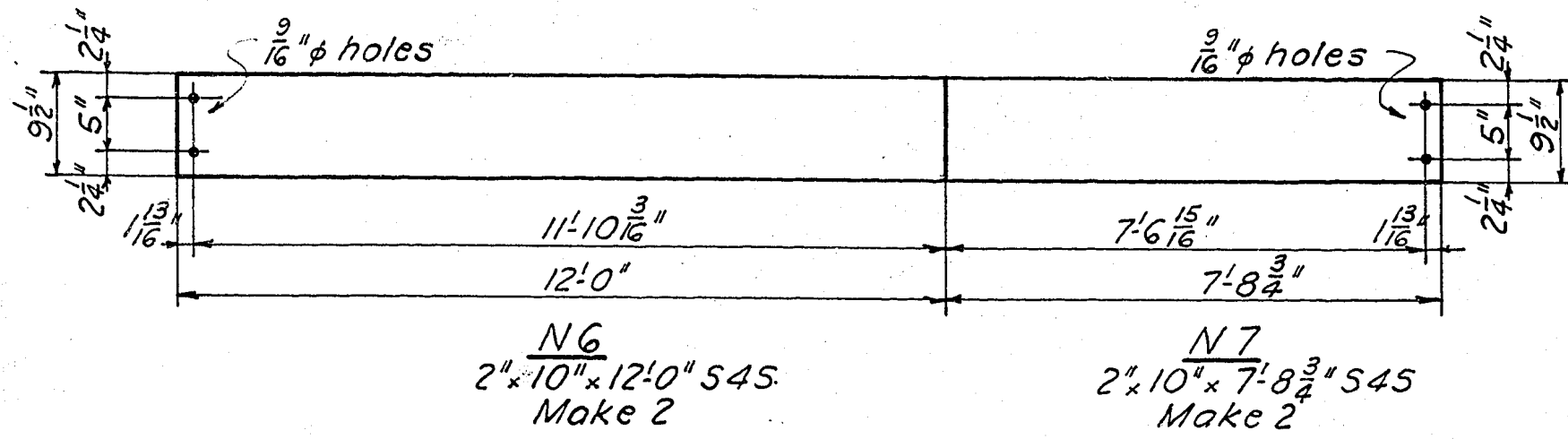


CAB GIRDER SYSTEM
2" x 10" S4S

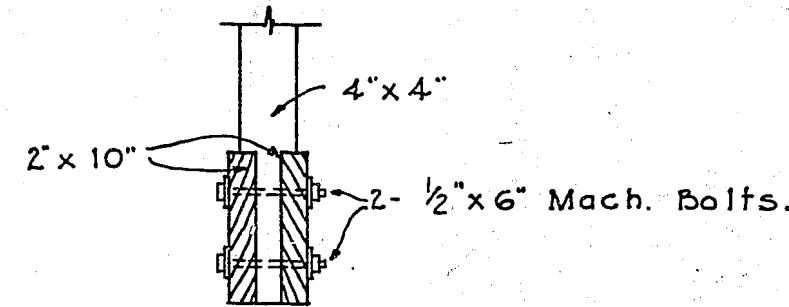
| Mark | No. Req'd | Length L' |
|------|-----------|-----------|
| N1 | 6 | 12'-0" |
| N2 | 9 | 7'-8 3/4" |
| N3 | 6 | 6'-0" |
| N4 | 2 | 3'-0" |
| N5 | 4 | 4'-0" |
| N6 | 2 | 5'-8 3/4" |
| N9 | 3 | 2'-9 1/2" |



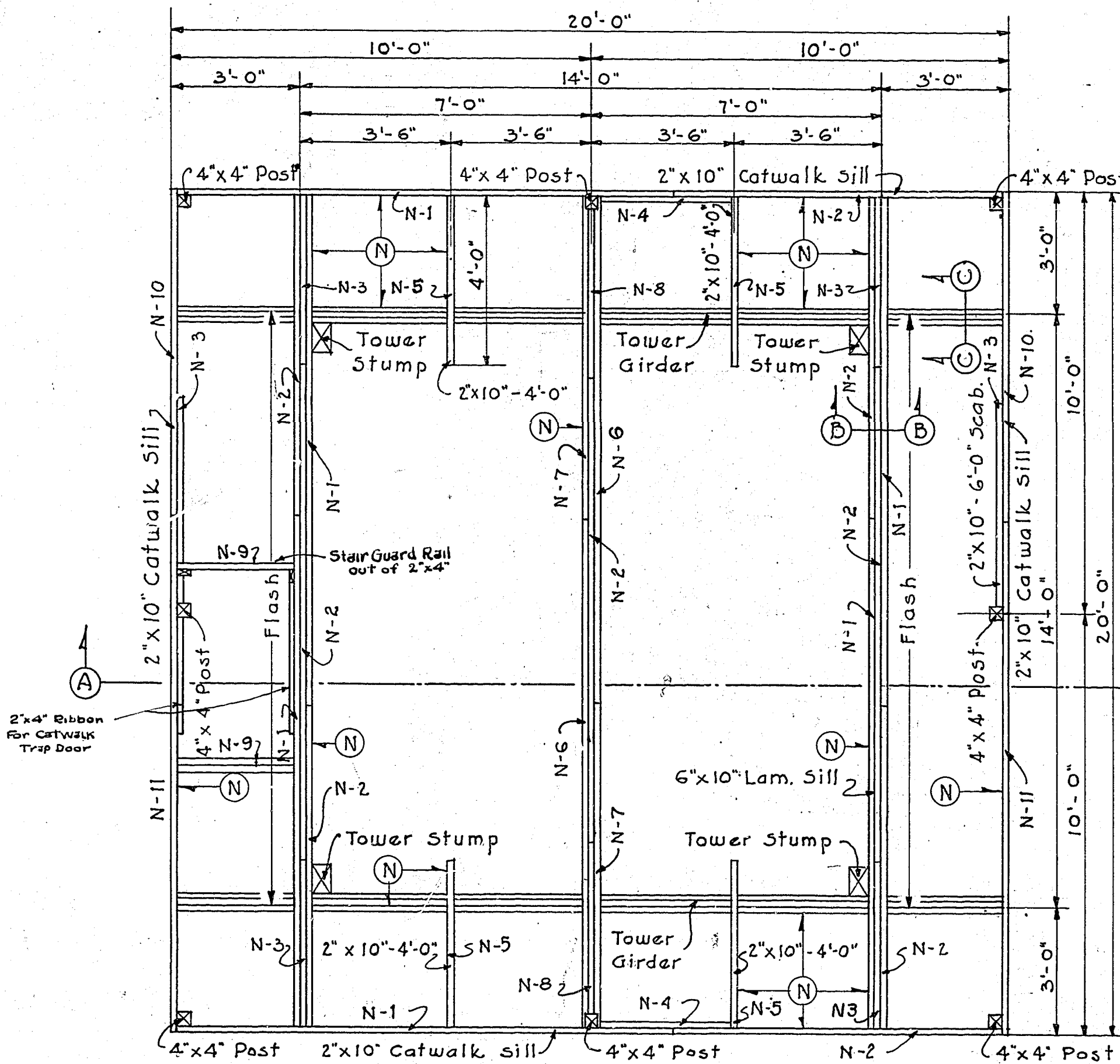
DECKING OF CATWALK
Scale, 3/8" = 1'-0"



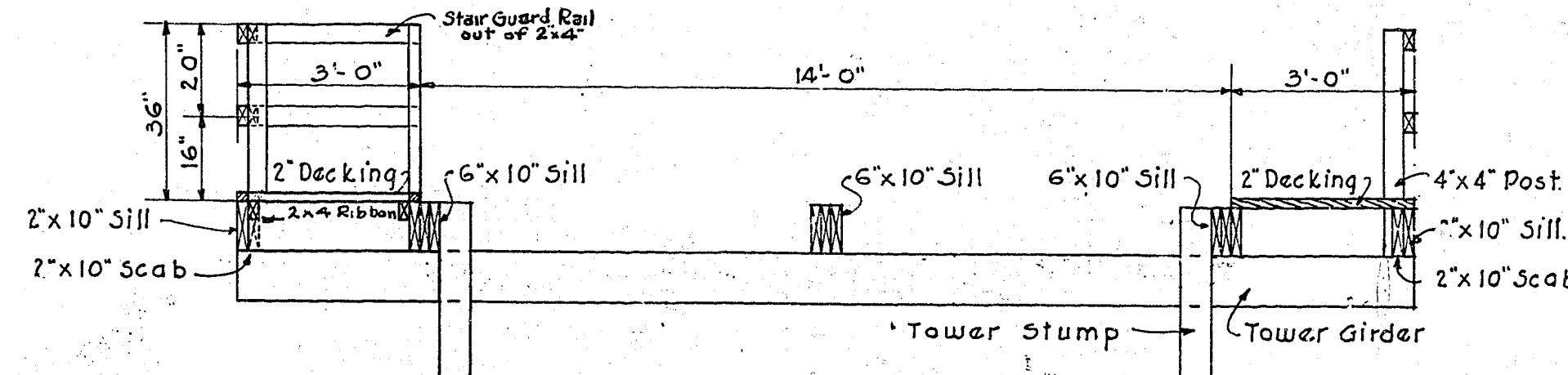
NOTE TO CONTRACTOR: When the bid specifies that a catwalk is to be furnished with a ground type house, the cab sills detailed above (Mark N1 to N11, inclusive) shall be furnished, prefabricated and treated in accordance with the Specifications for Standard Treated Timber Lookout Towers.



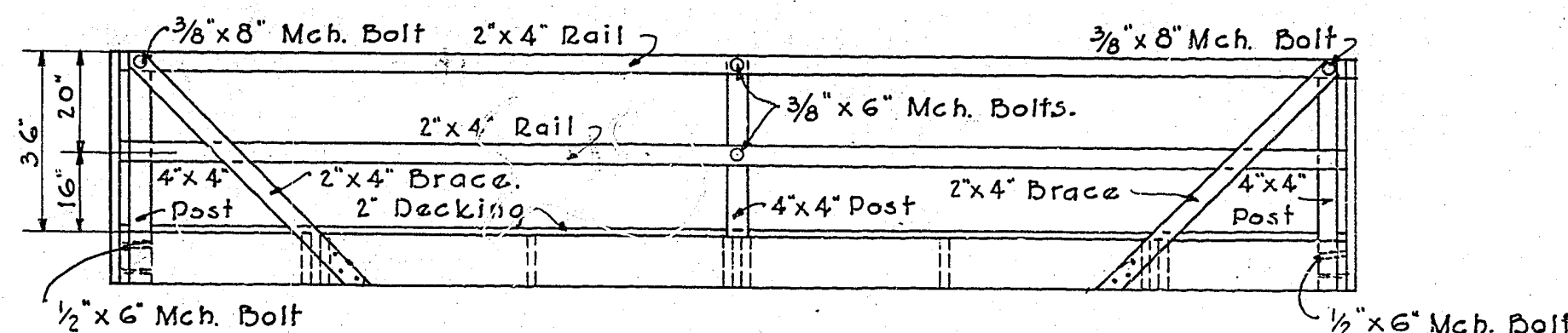
SIDE POST IN SILL
Scale, 1" = 1'-0"



SILLS FOR L.O. HOUSE & CATWALK
Scale, 3/8" = 1'-0"

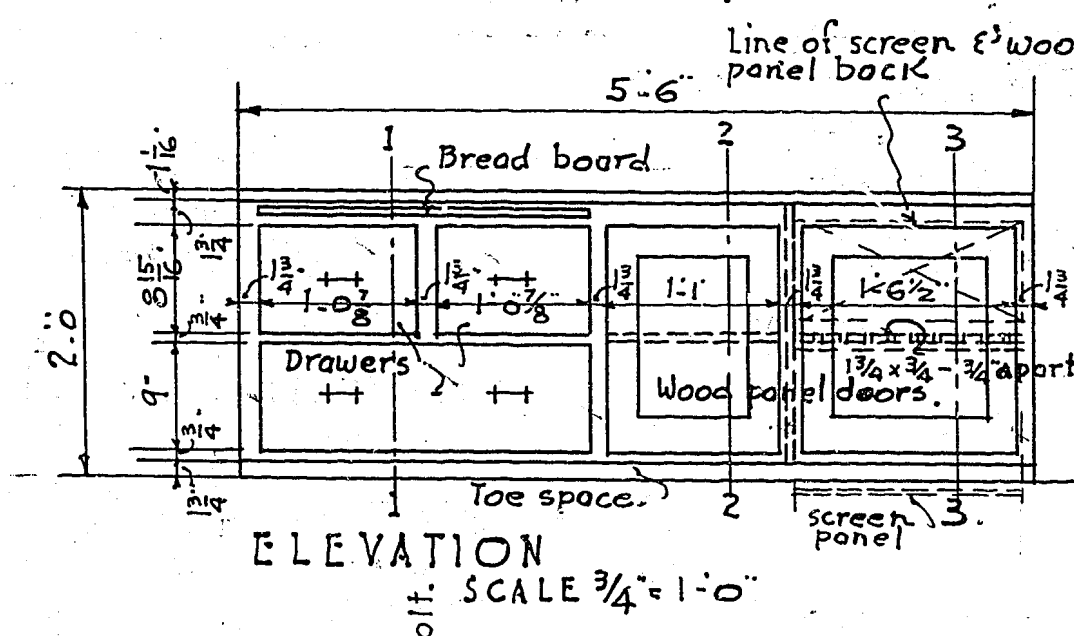


SECTION A-A
Scale, 3/8" = 1'-0"

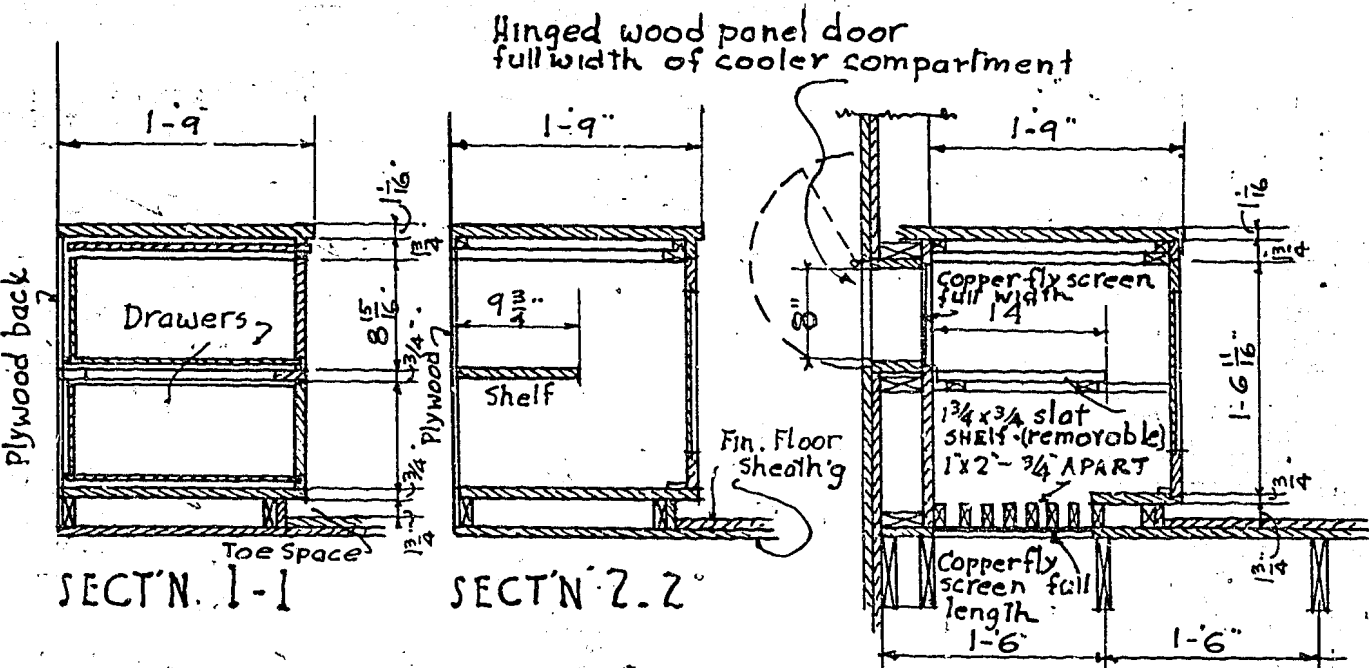


ELEVATION OF CATWALK & RAIL
Scale, 3/8" = 1'-0"

NOTE: All bolts to be machine bolts with two 1/4" washers per bolt. ALL GALVANIZED



ELEVATION
SCALE 3/4" = 1'-0"

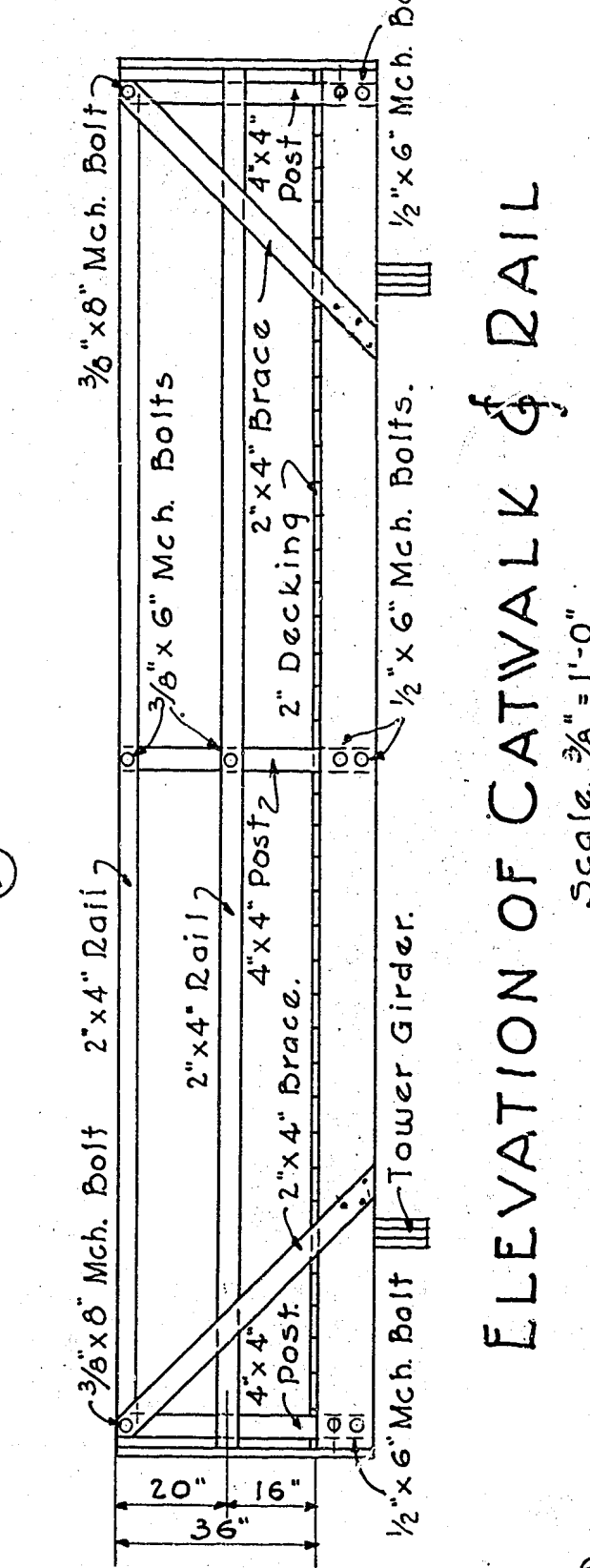


SECTION 1-1 **SECTION 2-2**

SECTION 3-3

DETAILS OF COOLER CABINET "A" (MAKE ONE (1) THUS)

SCALE 3/4" = 1'-0"



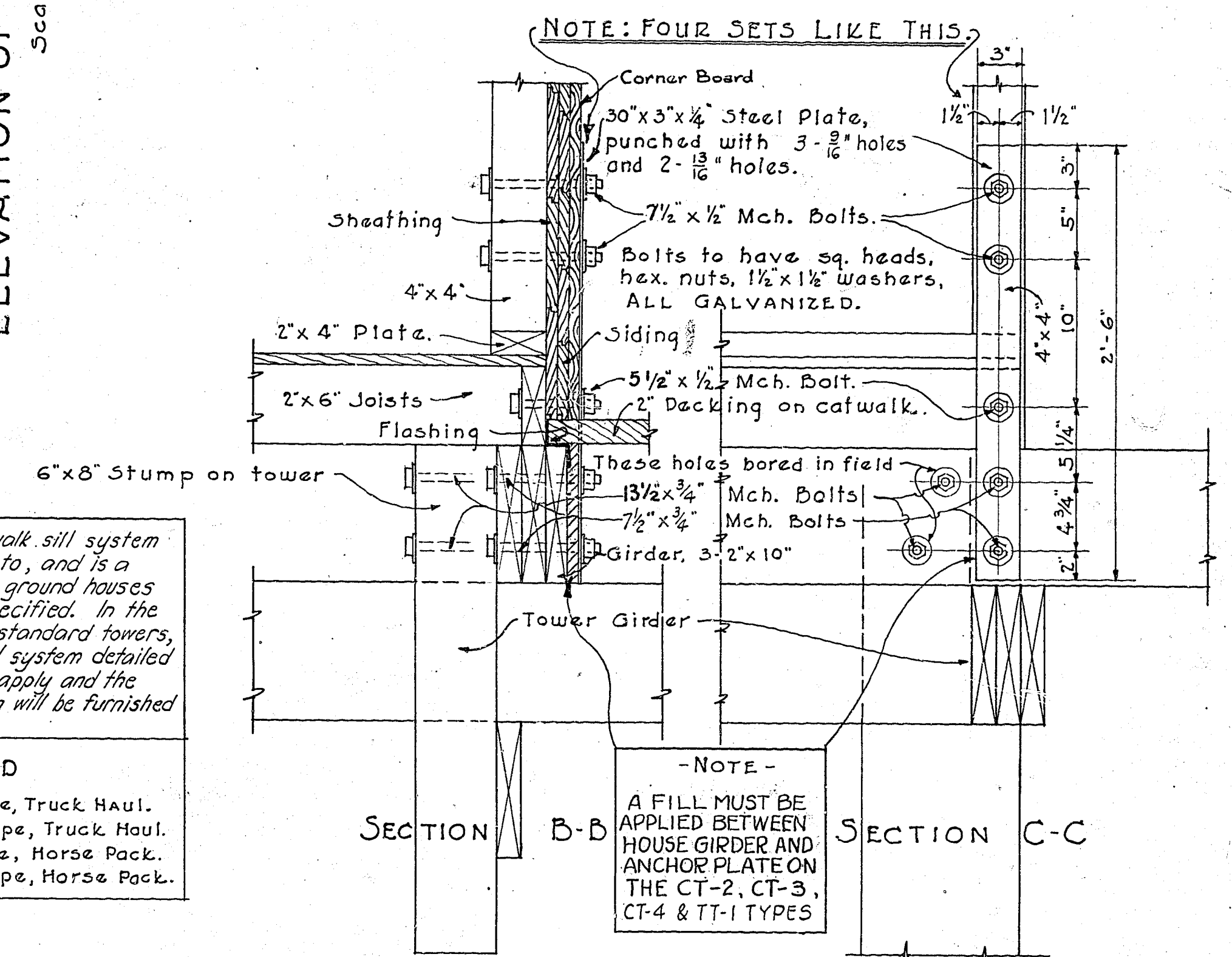
ELEVATION OF CATWALK & RAIL
Scale, 3/8" = 1'-0"

NOTE: The house and catwalk sill system indicated hereon applies to, and is a part of the contract on, ground houses for which a catwalk is specified. In the case of houses built on standard towers, the house and catwalk sill system detailed on the tower drawings will apply and the material for the sill system will be furnished by the tower contractor.

LEGEND

- TYPE T-TH - Tower Type, Truck Haul.
- TYPE G-TH - Ground Type, Truck Haul.
- TYPE T-HP - Tower Type, Horse Pack.
- TYPE G-HP - Ground Type, Horse Pack.

NOTE: Above plan indicates Tower Girders and Stumps for Type CT-3 Lookout Tower. See detailed drawing for this type or for Types CT-2, CT-4 and TT-1.



ANCHORAGE DETAILS TYPE T-TH & T-HP

Scale, 1 1/2" = 1'-0"

Revised May 21, 1940, C.F.R. Revised Sept. 19, 1940, H.G.
Revised Mar. 5, 1936, Feb. 16, 1931, Feb. 8, 1938, C.F.R.

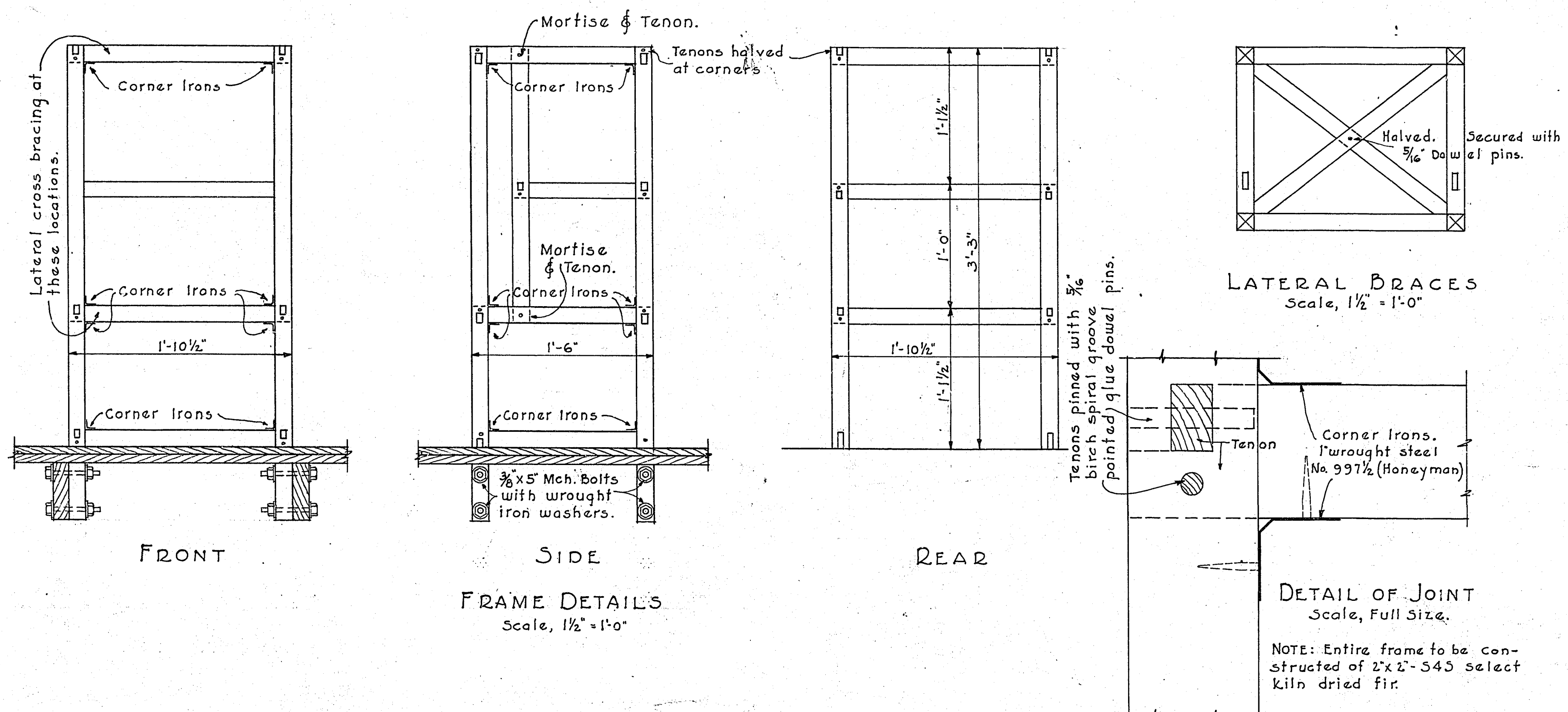
U.S. DEPARTMENT OF AGRICULTURE
FOREST SERVICE
REGION SIX - JAMES FRANKLAND, ASS'T. REG. FORESTER

STANDARD - 1936

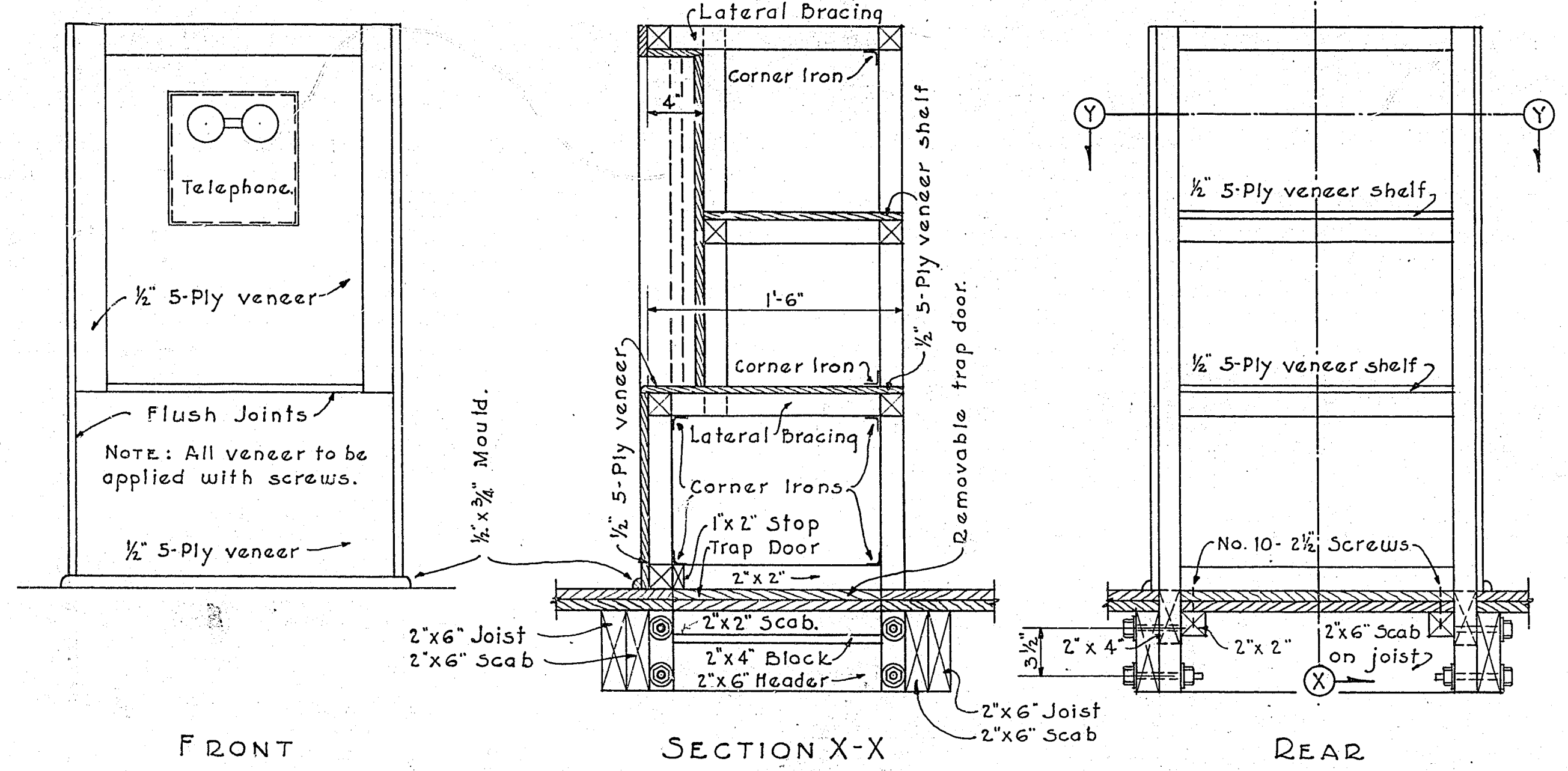
14' x 14' LOOKOUT HOUSE

Revised to conform with
TT-1 tower 6-2-48 by W.G.
Girder shop details
added 3-28-44 by W.G.

DESIGNED... H.L. DRAWN... H.L. TRACED... M.P.A.
SCALE... AS NOTED CHECKED... M.P.A. - G.P.
APPROVED... DATE NOV. 10, 1938

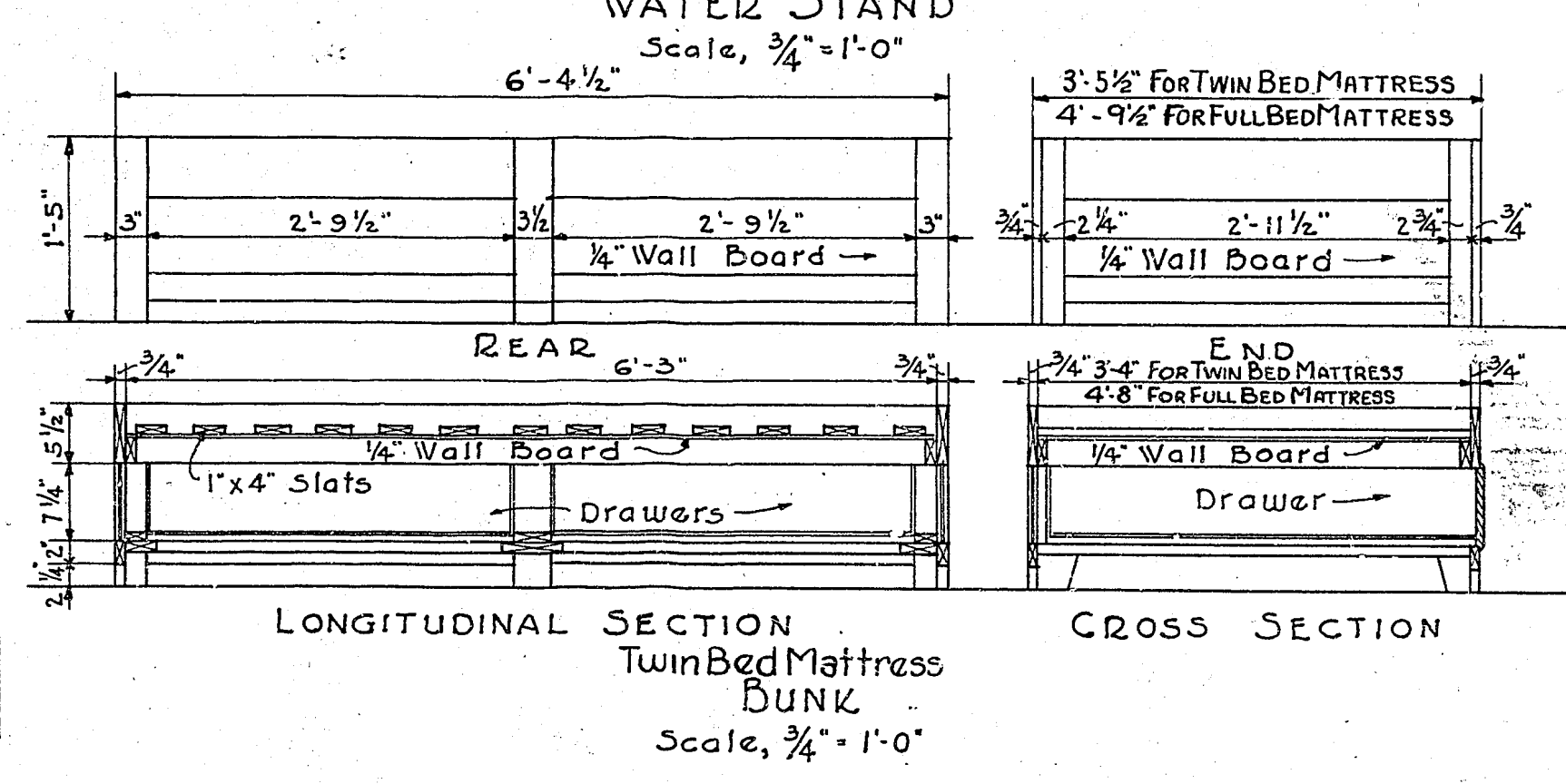
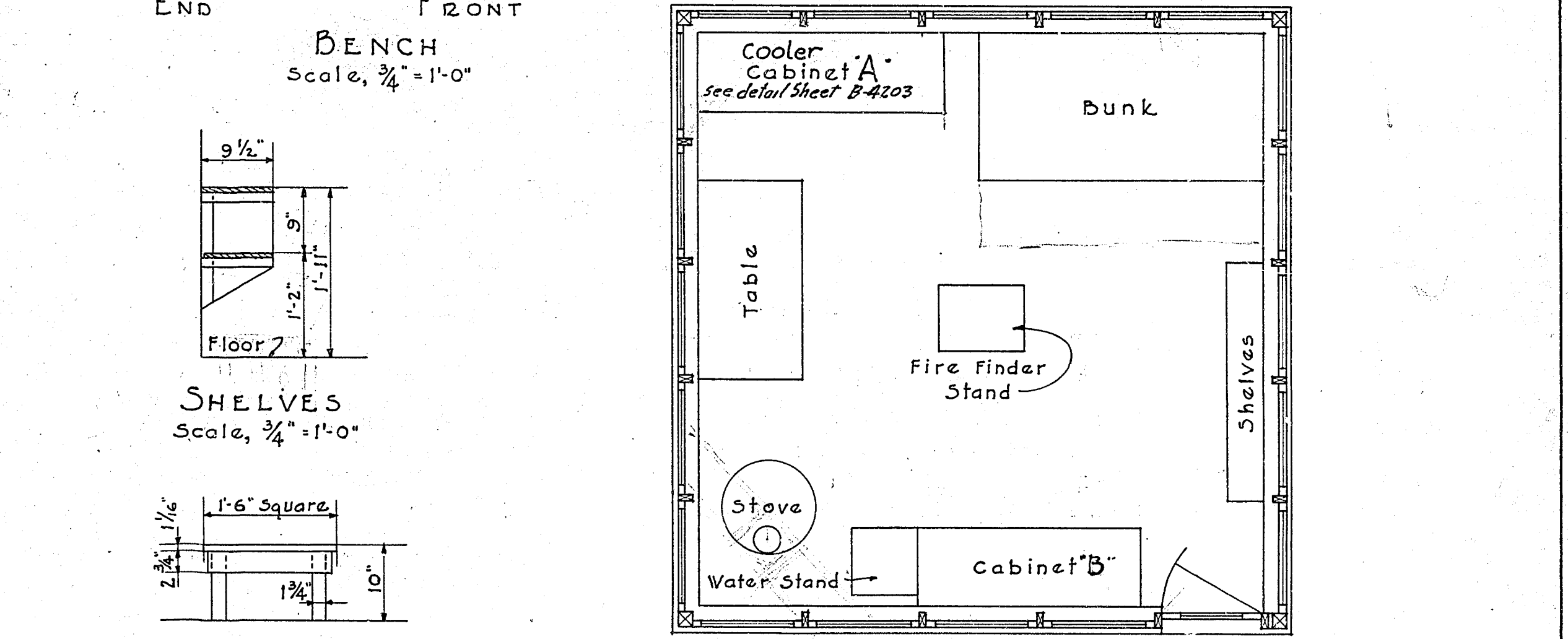
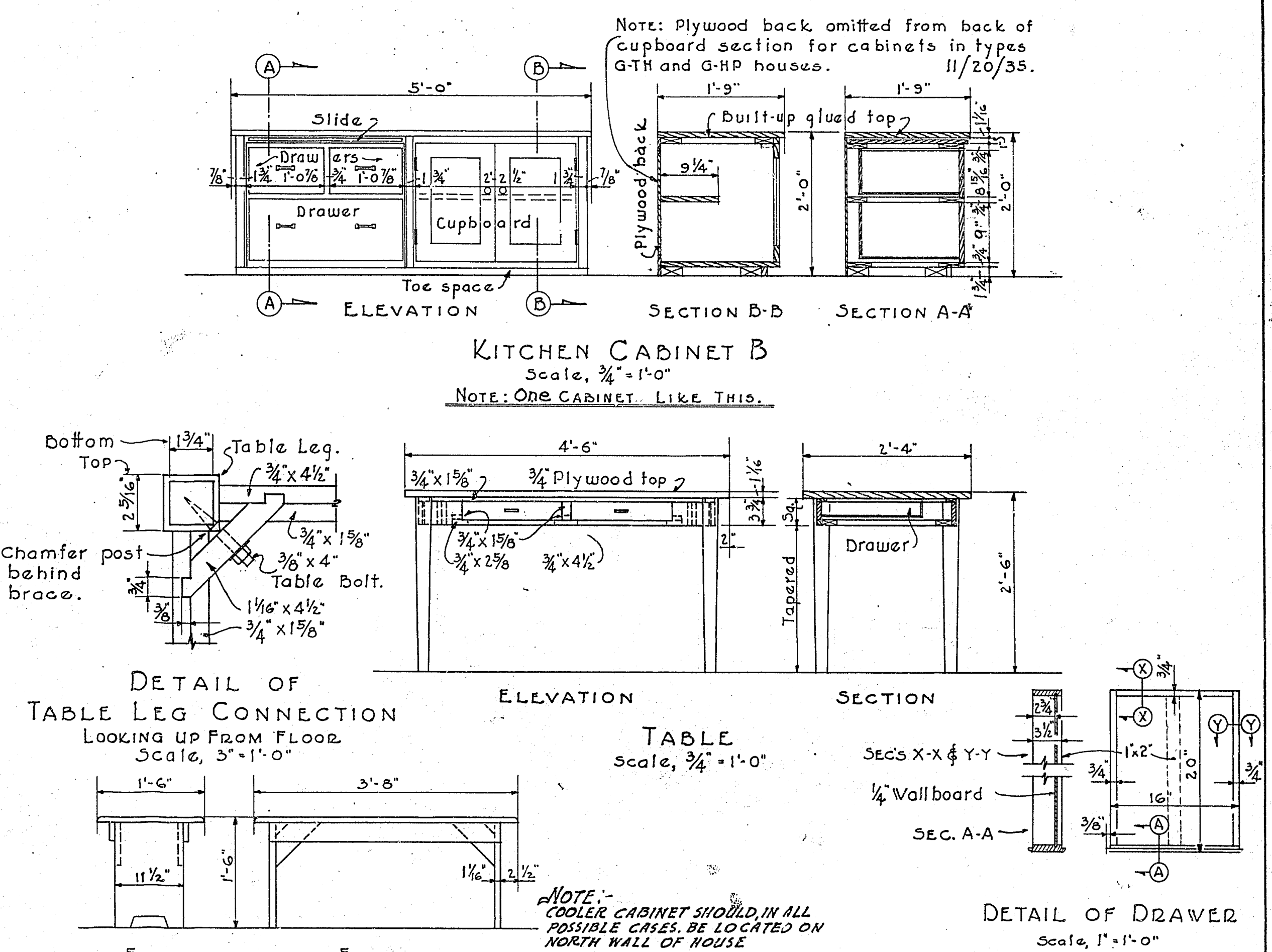
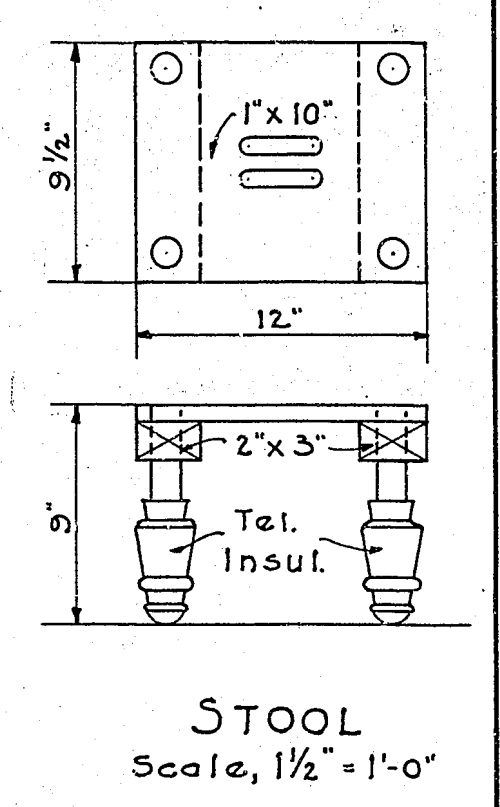
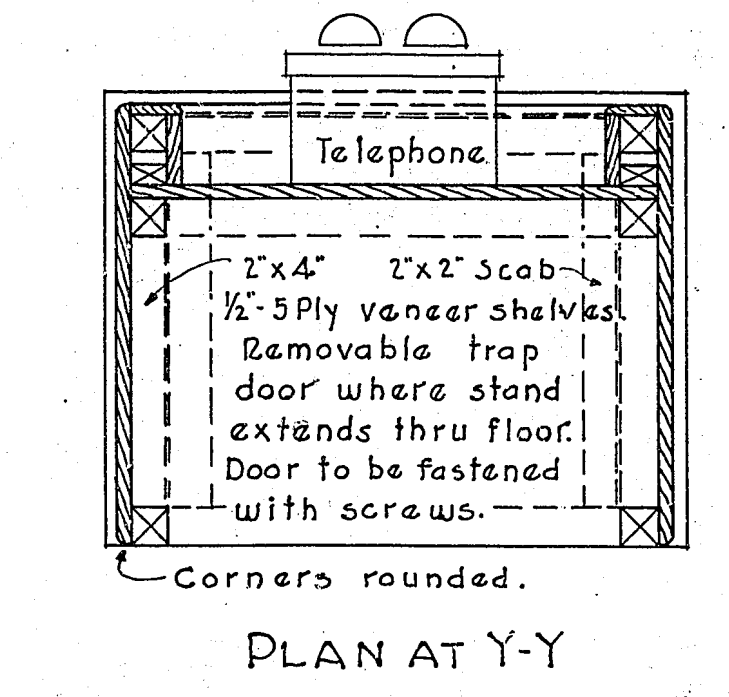


NOTE: Entire frame to be constructed of 2"x2", S4S, No.1, select, kiln dried fir.



ELEVATIONS
Scale, 1 1/2" = 1'-0"

DETAILS OF FIRE FINDER STAND



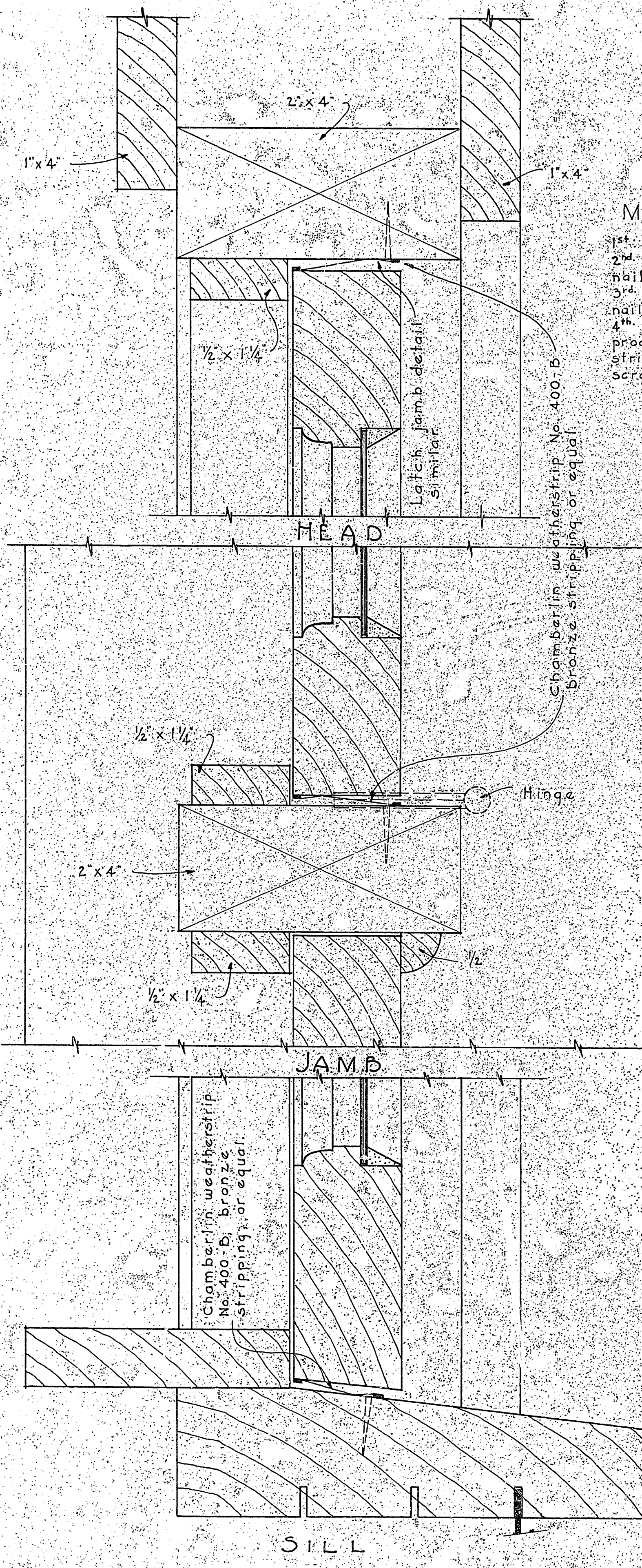
DETAILS OF FURNITURE AND KITCHEN CABINETS

Revised: Mar. 6, 1936, Dec. 3, 1936, Feb. 9, 1938, CFR.

U.S. DEPARTMENT OF AGRICULTURE
FOREST SERVICE
REGION SIX - JAMES FRANKLAND, ASST. REG. FORESTER

STANDARD - 1936
14' x 14' LOOKOUT HOUSE

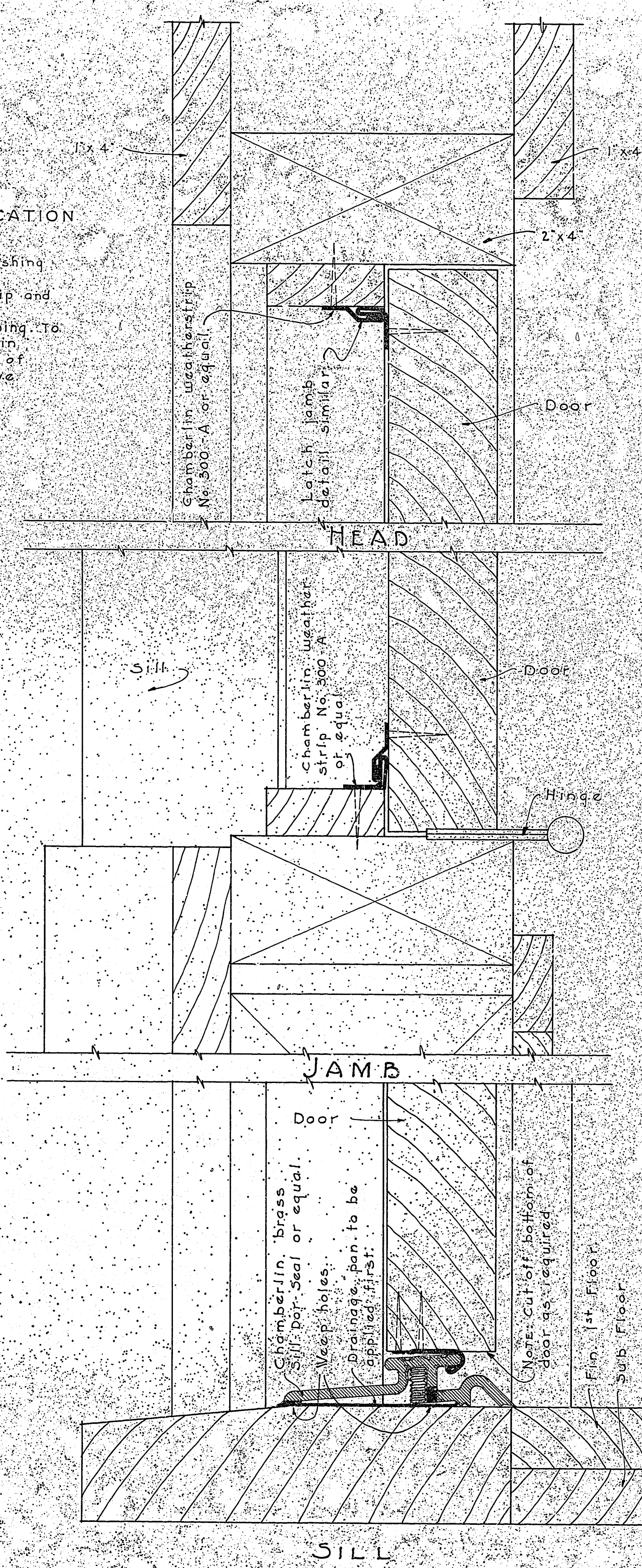
DESIGNED H.L. DRAWN H.L. TRACED M.P.A.
SCALE AS NOTED CHECKED M.P.A.-C.F.R.
APPROVED DATE NOV. 10, 1936



F.S. WINDOW DETAIL

METHOD OF APPLICATION

- 1st Nail strip at top.
- 2nd Tack bottom with finishing nail and stretch tight.
- 3rd Draw in center of strip and nail at center.
- 4th Nail balance of stripping to produce spring as desired in stripping, run sharp edge of screw driver along groove.



F.S. DOOR DETAIL

SHOWING METHOD OF APPLYING WEATHERSTRIPPING

Revised Feb. 9, 1938 C.F.R.

U.S. DEPARTMENT OF AGRICULTURE
FOREST SERVICE
REGION SIX - JAMES FRANKLAND, ASST. REG. FORESTER

STANDARD - 1936
14' x 14' LOOKOUT HOUSE

DESIGNED H.L. DRAWN H.L. TRACED M.P.A.
SCALE AS NOTED CHECKED M.P.A. C.F.R.
APPROVED [Signature] DATE NOV. 10, 1936 6722
ASSISTANT REGIONAL FORESTER

SPECIFICATIONS FOR 14' x 14' WOOD LOOKOUT HOUSE
Drawings B-4201, B-4202, B-4203, B-4204,
B-4205, T-2309.

1. General

It is intended that these specifications and the plans furnished shall cover the completed structure in its entirety and the contractor shall report any errors, omissions, or inconsistencies that may exist to the Chief, Division of Engineering, U. S. Forest Service, Washington, D. C., before starting the work.

All material quantities listed in these specifications or those specifications referred to are for the convenience of the contractor, but do not guarantee that the items given are of sufficient quantity or that some item might not be omitted. It is intended that the contractor shall furnish all material necessary to complete the structure, including all hardware except lock for trap door. All house lumber to be protected from the weather until shipment and to be adequately protected during transit.

2. Plans

The contractor shall furnish complete sets of detail erection plans as follows: One set shall be sent to the Chief, Division of Engineering, Forest Service, Washington, D. C., for each type and size structure shipped; one set for each tower shall be sent to the Forest or agency which is to erect the structure, and one set shall be boxed with the hardware. These plans shall fully and completely identify, by marks and names, each piece of the structure. These marks and names shall coincide with bundle marks or names to facilitate erection. The contractor shall also furnish with each set of erection plans a list showing the bundle numbers of the pieces as marked on the plans. Care shall be taken so that the markings for the same pieces on the erection plans, on the list, and in the bundle shall coincide.

The Forest Service will furnish the contractor with one complete set for shop and drafting use. Additional sets, if required, shall be purchased by the contractor from the Forest Service.

3. Workmanship

The quantities of each material furnished and the workmanship of fabrication shall be such as to permit of the assembly of a strong, tight, well-finished, workmanlike structure, complete in accordance with the attached plans. Any material shipped, whether inspected at the contractor's plant or not, that is deemed unsatisfactory by the Forest Service as to grade, fabrication or workmanship, shall be replaced without delay at the contractor's expense.

4. Inspection

The contractor shall furnish one or more official inspection certificates from the lumber association under whose rules the lumber is graded, certifying to the grade of all lumber used in framing, millwork and siding, or the lumber before fabrication shall bear the grade-mark and trade-mark of the association under whose rules the lumber is furnished.

Upon awarding of the bid, the contractor shall notify the Purchasing Officer in writing of his intention to start work. A Forest Service representative shall have access to the contractor's plant at all times during fabrication. The contractor shall furnish such equipment, records, and assistance as is necessary for the proper inspection of the work. All material, furnished and/or fabricated by the contractor, shall be inspected before crating at a place designated by the contractor and approved by the Forest Service if other than at the contractor's plant.

5. Fabrication

(a) All joints and pieces shall be cut or fabricated accurately to the correct measurement, including such mitering, dapping, chamfering, notching, or mortising as necessary.

(b) Where wall sheathing is called for, it shall be cut square or diagonally, as shown on the plans to fit its designated location and shall have suitable bearing surface for nailing at the ends.

(c) Roof sheathing, if in lengths shorter than the full lengths required, shall be cut to fit between center to center of rafters.

(d) Sub-flooring shall be cut in lengths so as to provide full bearing for nailing at ends.

(e) All joints shall be broken or staggered for the plates, roof and wall sheathing and other places where necessary to insure rigidity.

(f) All openings, where doubled, shall provide for a continuous support for the lintels to the floor.

(g) All bridging, whether solid or herring-bone, shall be cut to fit between the joints.

(h) Ceiling joists or wall ties, where they extend above the roof surface, shall be snubbed off to fit the top lines of the rafter.

(i) Where furniture is specified or shown on the plans, it shall be fabricated to the exact size to fit the opening or space shown. The face frames shall be of mortise and tennon construction and shall be glued up and shipped assembled. Cup-board doors and drawers, bread boards, etc., shall come assembled. Shelving, ends, cleats, drawer runners, tops, etc., shall be fabricated ready for assembly.

6. Lumber Grades

All lumber shall conform to the grading rules of the Association certifying to its grade. Lumber is to be furnished as hereinafter specified, disregarding the particular kind of wood as may be called for on the plans. All lumber shall be kiln dried to not more than an average 15% moisture content, unless otherwise specified, except post material which need not be kiln dried.

(a) Posts, joists, rafters, and 2" (nominal thickness) catwalk material shall be of a grade not below No. 1 in any species. Catwalk flooring to be 2 x 6 in size. Sheathing shall be of a grade not below No. 2 in any species except that sheathing in northern white pine, Idaho white pine, sugar pine, or Ponderosa pine may be of a grade not below No. 3 Common.

(b) Furniture, if specified, door and window sash stock and frames, interior and exterior trim and moldings, shall be "C" grade clear and better in any species. Cabinet top stock shall be furnished from 1-1/4" nominal thickness rough stock to standard finished thickness of the species to be furnished, and shall be "C" grade clear and better if any species commonly used for this purpose.

(c) Exterior wall finish (and interior and ceiling finish if specified on the working drawings) shall be 1" x 6", "C" grade clear and better "V" joint rustic in any species commonly used for this purpose.

(d) Flooring in cab shall be 1" x 4" tongue and groove, vertical grain, of a grade "B" and better in any of the harder softwood species commonly used for this purpose, such as Douglas Fir or Southern Pine.

(e) Where plywood or wallboard is shown, No. 1 grade, S1S, shall be furnished. Cupboard doors shall be No. 1 grade, S2S.

7. Size of Frame

14' 0" x 14' 0" outside of studding.

8. Lumber Lengths

(a) For Type T-TH (Tower type for truck haul).

All pieces are to be full length, omitting splices shown on plans. All pieces are to be cut to exact measure ready for erection.

(b) For Type G-TH (Ground type for truck haul).

Same cutting as (a).

(c) For Type T-HP (Tower type for horse packing).

All pieces are to be cut and spliced as shown on plans. No pieces are to be over 8' 0" long, except hip rafters, and 2" x 4" rails.

(d) For Type G-HP (Ground type for horse packing).

Same cutting as (c).

9. Sheet Metal

All sheet metal shall be 26-gauge galvanized iron, except hip roof cap which shall be 24-gauge galvanized iron.

Flashings, hip roof cap, and roof jack shall be furnished as detailed on sheets B-4202 and B-4203 of working drawings.

Each section of the roof jack is to be furnished prefabricated and drafted separately. The contractor shall furnish enough sheet metal screws to insure proper installation.

10. Building Paper

The building paper shall be two layers of heavy Kraft paper cemented together with a bituminous cement. The contractor shall allow sufficient waste to insure full coverage of shown or specified surface. Building paper shall be furnished for all structures to be placed between sub-floor and finish floor, between exterior wall finish and sheathing, and where otherwise shown or specified.

11. Roof

(a) Framing: All rafters shall be S1S1E full size.

Rafters shall not be spliced but furnished in full length.

Rafters shall be fitted to the hip roof block, so trimming will not be necessary on the job.

(b) Finish: Shingles shall be 5 butts to 2", 16" long and laid 5" to the weather and are to have a double course at the eaves, with shingle hip. They shall be western red cedar, tidewater red cypress or California redwood, and shall conform to the Commercial Standard CS31-35, in lieu of reference to which the following grades may be used.

Western Red Cedar - Vertical grain, grade No. 1 in accordance with the rules of the Red Cedar Shingle Bureau Bureau dated 1935.

Tidewater Red Cypress - Vertical grain, grade No. 1, paragraphs 155-159, inclusive, in accordance with the rules of the Southern Cypress Association, dated June 1, 1934.

California Redwood - Vertical grain, grade No. 1, paragraph 13, in accordance with the rules of the California Redwood Association, dated October, 1936.

12. Window Sash and Door

Window sash shall be 30-7/8" x 60" x 1-3/8" net outside measurements, four light barn sash, and shall fit accurately between the studs. The contractor shall furnish two extra window stops.

Door shall be 2' 4" x 6' 10" x 1-3/8", four light top panel and raised lower panel as shown on Sheet B-4201 of working drawings.

All glass shall be double strength "A" free from excessive bubbles and waves. The glass shall be sorted before glazing and the best panes shall be placed in lower half of sash and lower lights of door. Contractor shall furnish six extra panes with points and putty.

Window sash and door shall be given a priming coat of aluminum and spar varnish brush application.

13. Furniture - (If specified in bid item)

The contractor shall furnish all furniture complete as shown on sheets B-4203 and B-4204 of working drawings to include rough and finish hardware as shown.

14. Hardware

The contractor shall include as part of this contract all nails, bolts, nuts, washers, and other rough and finish hardware necessary to complete the structure.

The material list is given for the convenience of the contractor, but does not preclude that the items given are of sufficient quantity or that some items may be omitted. It is intended that the contractor shall furnish material necessary to complete the job.

(a) Rough Hardware: All of the following galvanized bolts, screws, and threaded rods are to have their threads brushed with a steel brush after galvanizing so that the nuts will turn easily.

| QUANTITY | DESCRIPTION | REMARKS |
|------------|---|---------------------------------------|
| 120 only | 1/4" x 1-1/2" lag bolts, galvanized | Shutters |
| 96 only | 1/4" x 2" Machine bolts & washers, galvanized. | " |
| 8 only | 1/2" x 4" Pines, galv., punched per detail on sheet No.B-4202, with washers and key. | " |
| 3 only | 6"x5-1/2"x3/8" x 1-1/2" angle iron, galv. per detail Angle A, sheet No. B-4202. Drilled for 1/2" carriage bolts | Shutter clamps |
| 9 only | 1/2" x 2-1/2" carriage bolts, nuts and washers, galv. | " " |
| 2-1/2 doz. | 2" coarse thread screws, galv. 1 washer each. | Shutter buttons |
| 24 only | 1/2" x 14" mach. bolts, threaded 7", each with 4 wrought washers and 4 hex nuts. All to be galv. | Shutter supports |
| 24 only | 1/2" wing nuts, galvanized. | " " |
| 10 only | 1/4" x 1-1/2" lag screws, galv. | Catwalk trap door (T-TH & T-HP) |
| 8 only | 1/4" x 3" mach. bolts, nuts and washers, galvanized | " " " " " |
| 18 only | 3/8" x 4" mach. bolts, nuts and 2 cut washers, galvanized | Cooler (T-TH & T-HP) |
| 8 only | 3/8" x 5" mach. bolts, nuts and 2 cut washers, galvanized | Fire-Finder Stand |
| 24 only | 3/8" x 6" mach. bolts, nuts and 2 cut washers, galvanized | Catwalk rail and cooler (T-TH & T-HP) |
| 8 only | 3/8" x 8" mach. bolts, nuts and 2 cut washers, galvanized | Catwalk rail and cooler (T-TH & T-HP) |

| QUANTITY | DESCRIPTION | REMARKS |
|----------|--|-------------------------|
| 8 only | 5" x 3-1/2" x 3/8" angles, 3" long, galvanized | Anchorage (G-TH & G-HP) |
| 4 only | 4" x 4" x 3/8" plates, galvanized | " " " |
| 4 only | 72" x 3/4" rods, galvanized | " " " |
| 16 only | 3/4" Hex. nuts, galvanized | " " " |
| 16 only | 1/2" x 7" mach. bolts, nuts, and 2 cut washers, galvanized | " " " |
| 4 only | 30" x 3" x 1/4" steel plate, galv. (Note revision necessary if cab used on steel tower). | " (T-TH & T-HP) |
| 8 only | 1/2" x 6" mach. bolts, nuts and 2 cut washers, galvanized | " " " |
| 8 only | 1/2" x 4-1/2" mach. bolts, nuts and 2 cut washers, galvanized | " " " |
| 8 only | 1/2" x 12" mach. bolts, nuts and 2 cut washers, galvanized | " " " |
| 4 only | 1/2" x 2-3/4" mach. bolts, nuts and 2 cut washers, galvanized | " " " |

(b) Nails: The following nails are the minimum quantities that will be accepted:

(For Types G-TH and G-HP)

| | |
|----------------------------|----------------------------|
| 25 lbs. 16 d common, galv. | 1 lb. 4 d finish, galv. |
| 20 lbs. 12 d common, galv. | 2 lbs. 6 d finish, galv. |
| 15 lbs. 10 d common, galv. | 2 lbs. 10 d finish, galv. |
| 25 lbs. 8 d common, galv. | 15 lbs. 6 d casing, galv. |
| 10 lbs. 6 d common, galv. | 12 lbs. 3 d shingle, galv. |

(For Types T-TH and T-HP)

Same as for Types G-TH and G-HP with following additional:

| |
|----------------------------|
| 10 lbs. 20 d common, galv. |
| 15 lbs. 16 d common, galv. |
| 15 lbs. 12 d common, galv. |

(c) Finish Hardware:

| QUANTITY | DESCRIPTION | REMARKS |
|----------|---|---------|
| 1 only | Mortise thumb latch, 2 handles, latch case approx. 3-1/4" x 2-7/8" x 7/8", 2-1/4" backset galvanized latch bolt with 3/4" throw, handles approx. 9-3/8" overall, black Jap. | Door |

| QUANTITY | DESCRIPTION | REMARKS |
|----------|--|---------------------------------|
| 1 pair | 5-1/2" x 3-1/2" butts, galvanized, loose brass pin | Door |
| 4 pair | 2-1/2" x 2-1/2" butts, cadmium plated, fast brass pins | Window Sash |
| 4 only | Casement fasteners, reversible, base approx. 1-7/8" x 1-1/8", projection 1-3/4", with mortise strike cast brass, genuine Bower Barff finish | " " |
| 4 only | Casement adjusters, bar and tube type, bar approx. 3/8" diameter, tube approx. 5/8" diameter, length overall closed 12", extended: 20-1/8" tube and red wrought bronze, other cast bronze imitation Bower Barff finish | Window Sash |
| 2 pair | 2-1/2" x 2-1/2" butts, galvanized fast brass pin | Cooler Types (T-TH & T-HP) |
| 3 only | Trap door rings, 3-1/2" x 3-3/4" plate, wrought steel, black Jap. | Trap doors for cooler & catwalk |
| 1 set | Chamberlin brass sill, Dor-Seal #840 or similar | Door |
| 1 set | Weather strip, visible interlocking zinc or cold rolled bronze | Door |
| 4 sets | Spring bronze weather strip, flexible, hemmed edge | Window Sash |
| 12 pair | 8" Tee hinges, extra heavy, galv. (No screws). | Shutters |
| 4 pair | 6" Strap hinges, heavy, galvanized | Shutter clamps |
| 1 only | Hasp, safety, double hinges, 4-1/2" x 1-1/2", galv. or cadmium plated | " " |
| 1 pair | 6" Tee hinges, extra heavy, galv. | Catwalk trap door, T-TH & T-HP |

All finish hardware shall be furnished with screws to match.

Screen for cooler shall be copper or antique bronze and shall be not less than 16 mesh to one inch.

15. Paint

The contractor shall furnish all paint and varnish as follows:

For Types G-TH and G-HP; Sufficient outside paint for three coats to cover outside surface of house, using SILVER GRAY color for all exterior surfaces except window sash, door and under side of shutters, for which sufficient paint for three coats of PALE GREEN color shall be furnished.

Sufficient oil enamel, PALE GREEN color, for two coats to cover the inside walls, ceiling, window sash and door.

Sufficient clear varnish to cover all furniture items with two coats.

Sufficient boiled linseed oil to cover the house floor with two coats.

Sufficient turpentine to thin paint and clean brushes.

For Types T-TH and T-HP; Shall be furnished same as Types G-TH and G-HP, and in addition sufficient SILVER GRAY paint to cover with three coats all surfaces of the catwalk including floor, railing, under side of catwalk, cooler, hopper, basket, and under side of house.

All paints and varnish shall conform to U. S. Government Specifications for paint as follows:

| | | |
|------------------------|---|---------------------------|
| For outside paint | - | Specification No. TTP 36 |
| For oil enamel, inside | - | Specification No. TTP 51 |
| For varnish | - | Specification No. TTV 71. |

16. Marking

Each bundle shall be marked with blue or black keel or stencil, identifying contents. Each piece shall be numbered to correspond with the packing list and plans. Each box of hardware, etc., shall be similarly marked.

17. Packing

(a) Types T-HP and G-HP for horse packing:

Lumber shall be securely tied with metal bands in bundles of 50-75 pounds in weight. Short lengths, two feet and under, may be bundled in weights of approximately 10 to 25 pounds. Lengths of 6 feet and over shall not weigh over 50 to 60 pounds per bundle. Hardware and paints shall be packed in metal banded cases not larger than a 10-gallon kerosene case and not weighing over 75 pounds each when packed. Protection strips shall be placed under metal bands around all finished lumber to prevent bands from sinking into the wood.

The door shall be protected with light boards securely nailed on either side of the glass.

The sash shall be in bundles of not over 50 pounds each, securely tacked together, with solid protection of light lumber **across** glass on both sides of bundle.

(b) Types T-TH and G-TH for truck haul:

Lumber shall be securely tied with metal bands in bundles not to exceed 100 pounds in weight and of bulk capable of being handled by one man. 2" x 6" pieces for floor joists (2" x 8" joists if cab is to be used on steel tower) need not be bundled.

Hardware, paints, etc., shall be cased as for horse packing but weights may run to 100 pounds if desired.

Door and sash shall be crated as for horse packing but weights may run to 100 pounds if desired.

18. Flagpole

The contractor will be required to furnish the iron pipe flagpole complete with fittings as detailed on sheet T-2309, 2409. All flagpole material and hardware items are to be galvanized, with threads of bolts and screws brushed with steel after galvanizing.

19. Revisions Necessary for Use of 14' x 14' Wood Cab on Steel Tower

(a) Furnish four sills for bolting to 5" x 3-1/2" x 5/16" angles at cab level. Sills to be 4" x 6" S4S, and treated with Zinc Chloride as specified in Section 4 of Specifications for Timber Lookout Towers. They shall be cut to length, and bored to suit holes in the 5" x 3-1/2" x 5/16" tower angles.

Horizontal holes are also to be bored in the sill to suit the four anchorage straps as shown on drawing B-4203, the details of which must be revised to fit the 6" depth of sill in place of the 10" depth of cab girder. Sills are to be fully framed and accurately bored before treatment. Sill pieces are to be plainly marked for erection in their correct locations.

(b) Joists shall be framed in accordance with Joist Framing Plan for Type G-TH on Sheet B-4201, but shall be 2" x 8", instead of 2" x 6".

(c) Trap door material shall be that specified on steel tower drawings B-10603. Catwalk floor shall be 2" x 12" S4S nailed to 2" x 4" nailing strips. Nailing strips to be bolted to 5" channels. All nails and bolts shall be galvanized and are to be furnished by contractor. Joists, trap door and catwalk lumber to be treated with Zinc Chloride as specified for such treatment in Paragraph 19(a) above.