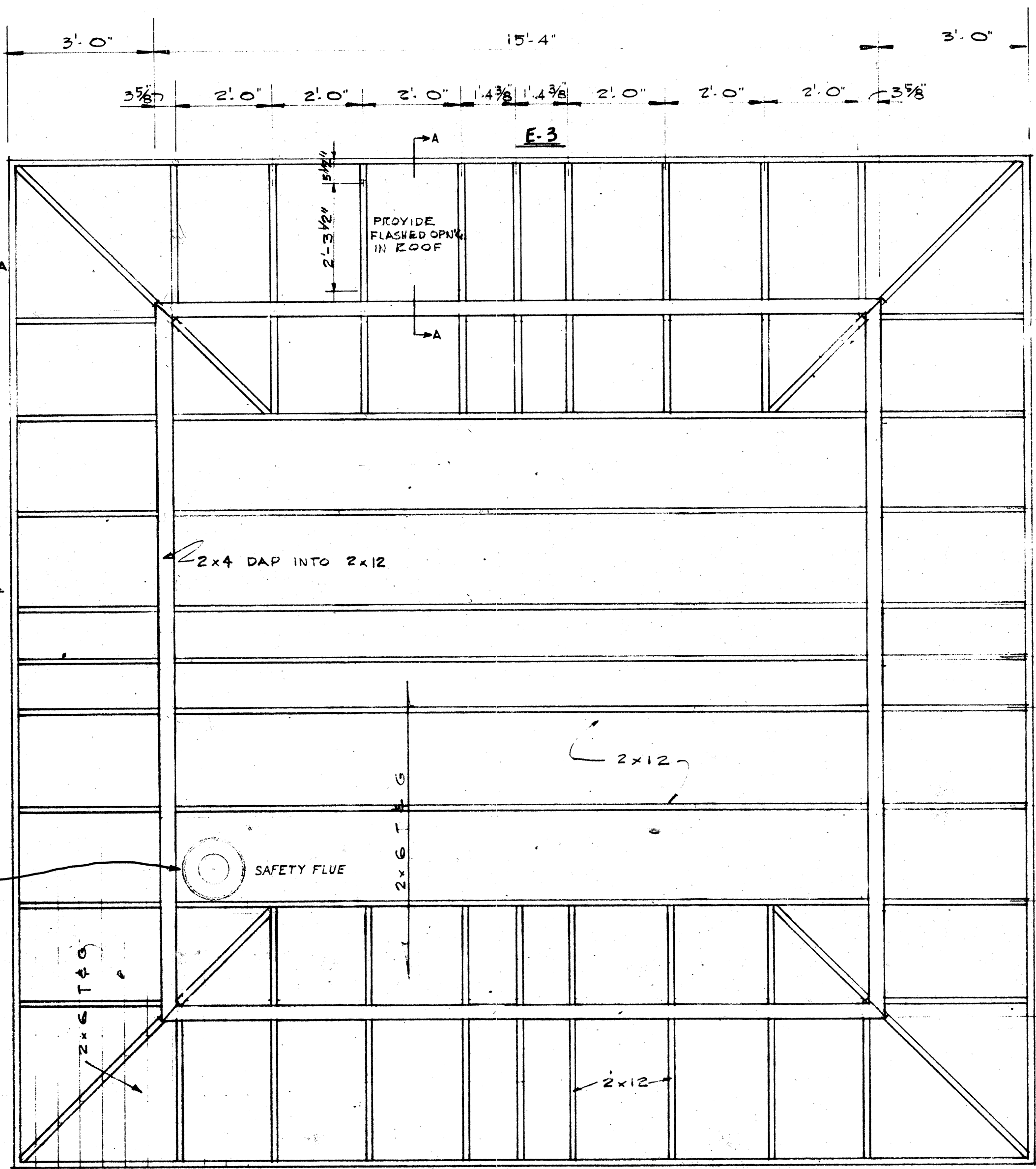
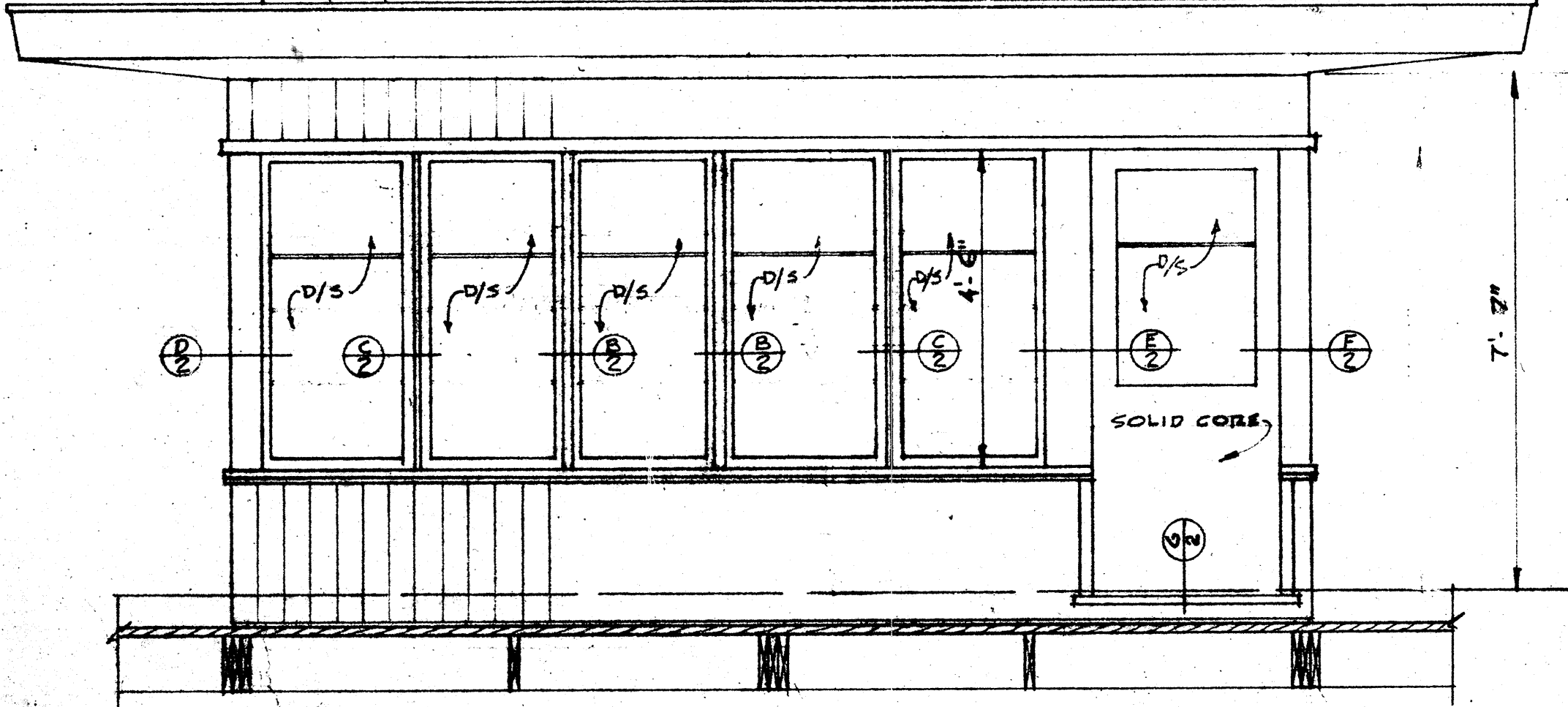


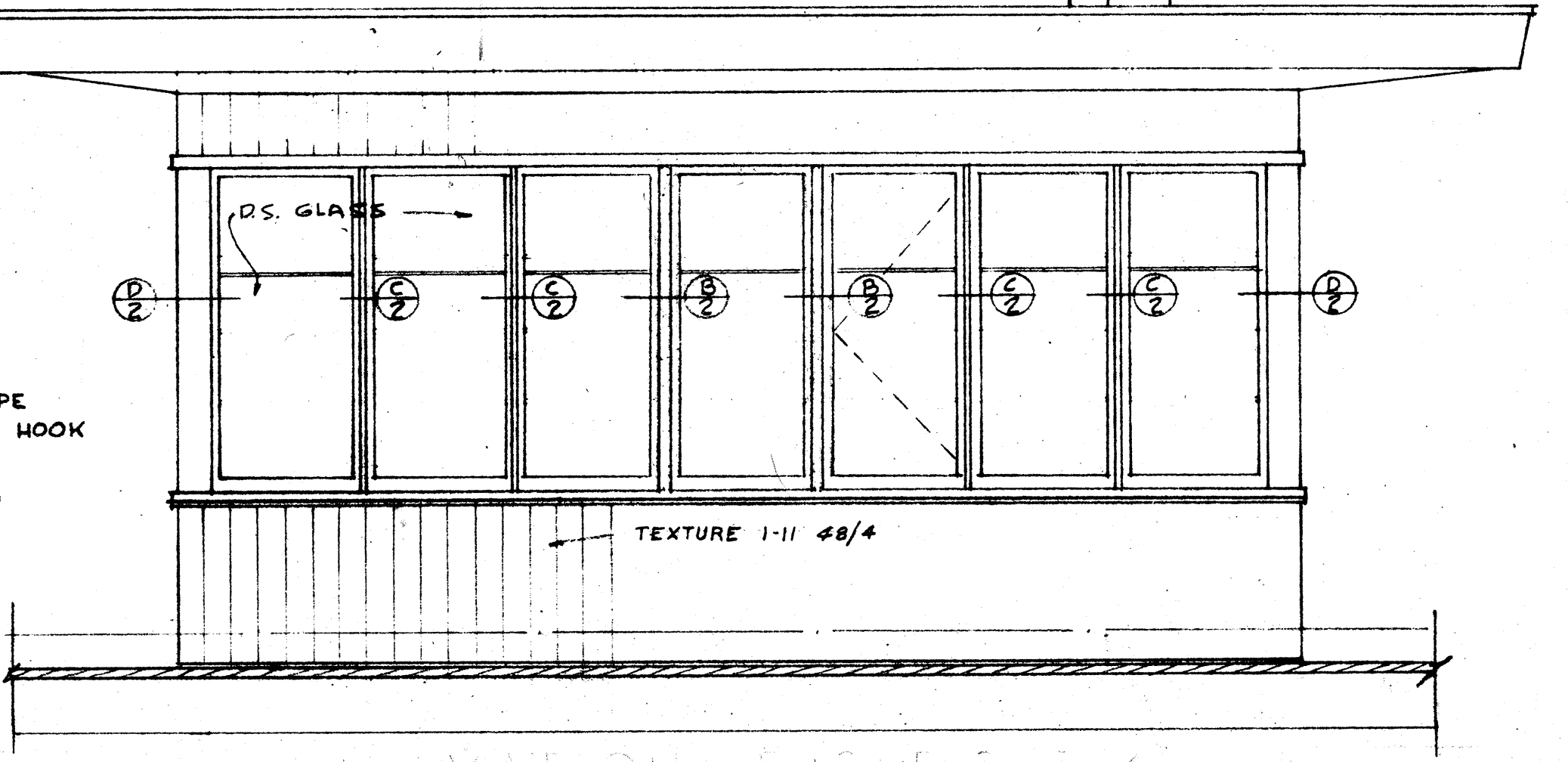
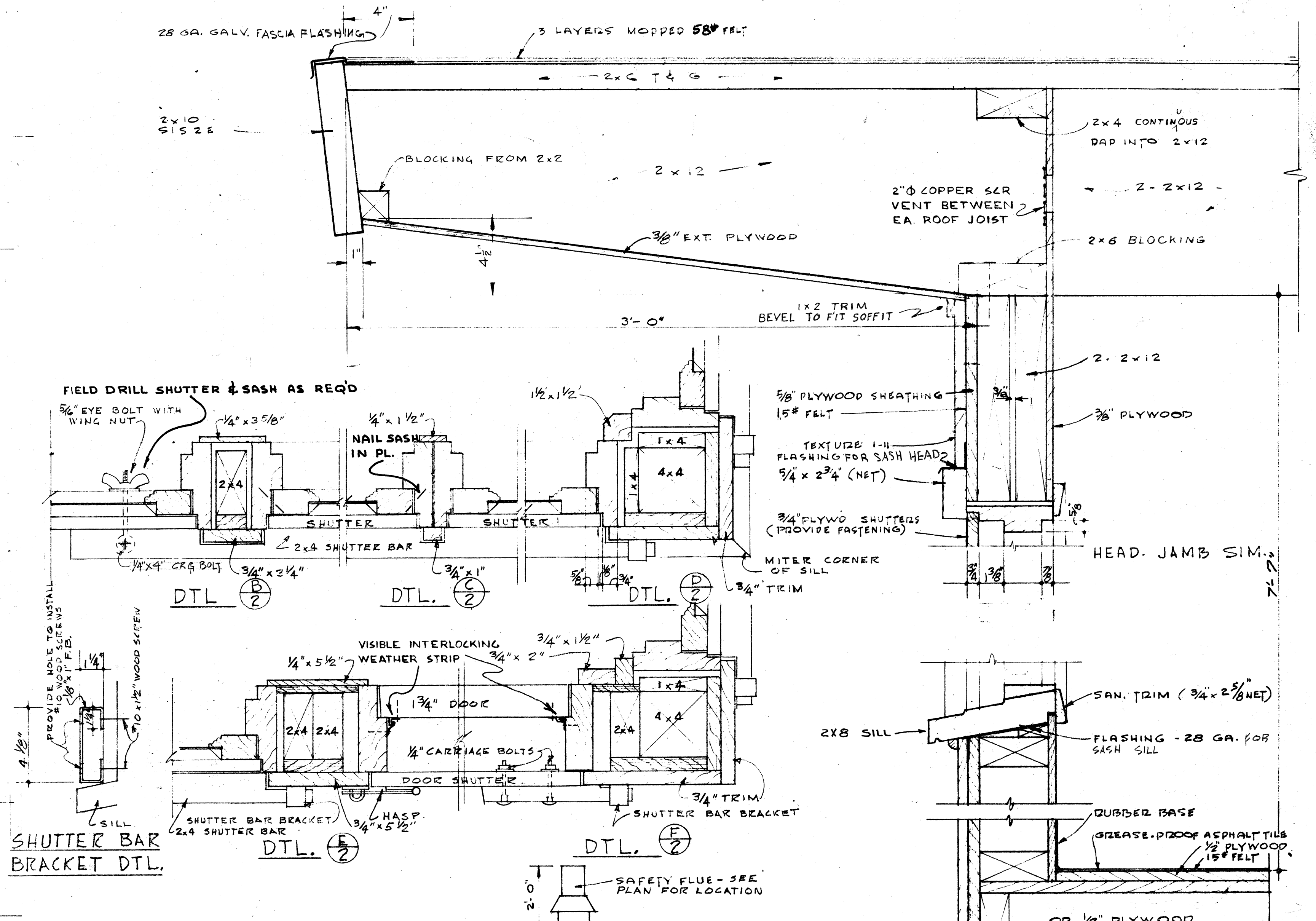
28 GA. GALV FLASHING FOR ROOF OPENING
 NO VENT THIS AREA
 EXTEND SHEATHING & SIDING UP TO TOP OF 2x6 T&G IN ROOF OPN'G AREA, EXTEND SIDING OVER EXPOSED RAFTER & FASCIA.
SECTION A-A
 3/4" = 1'-0"



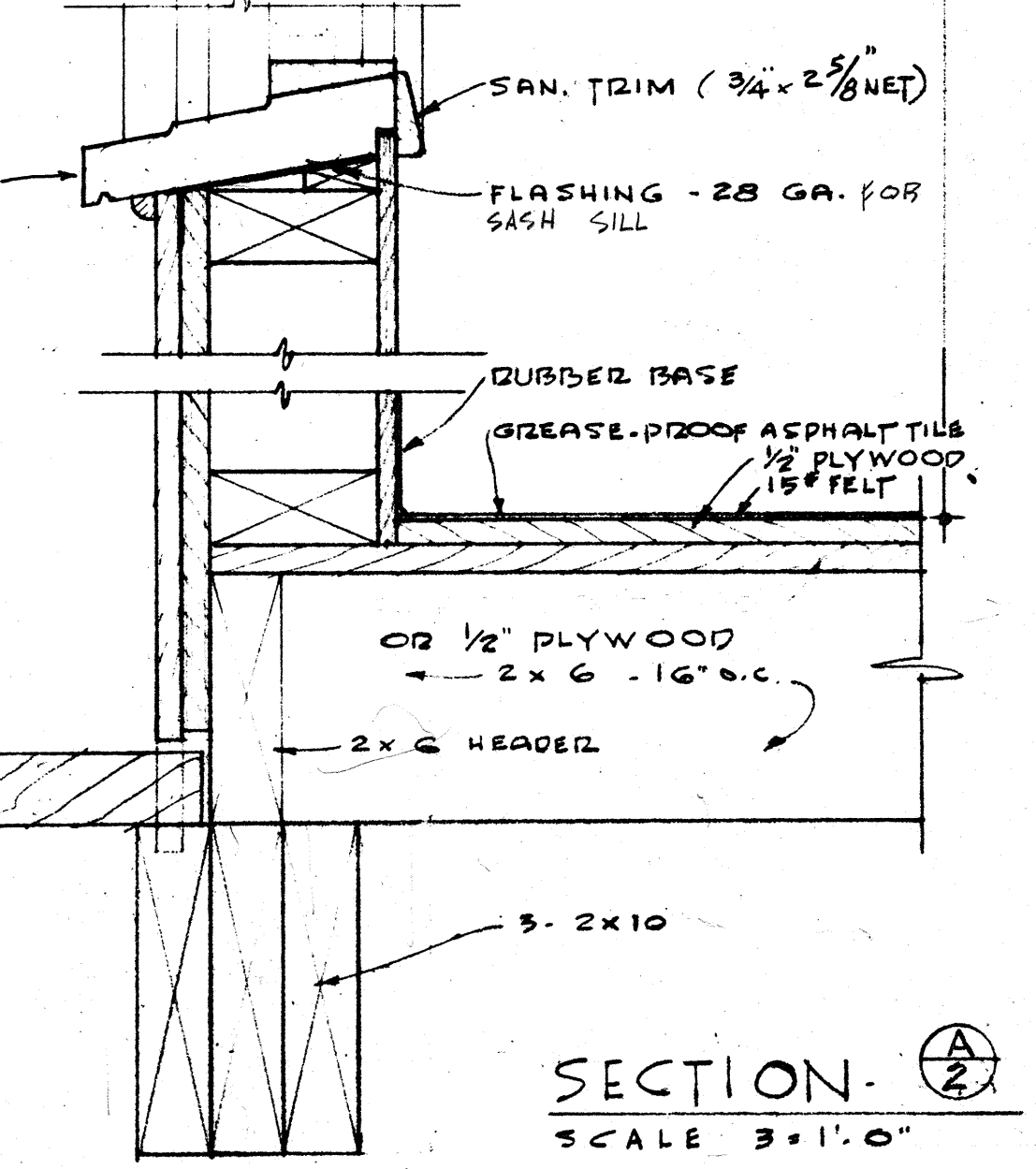
ROOF PLAN
 SCALE - 1/2" = 1'-0"



ELEVATION E-1
 SCALE - 1/2" = 1'-0"



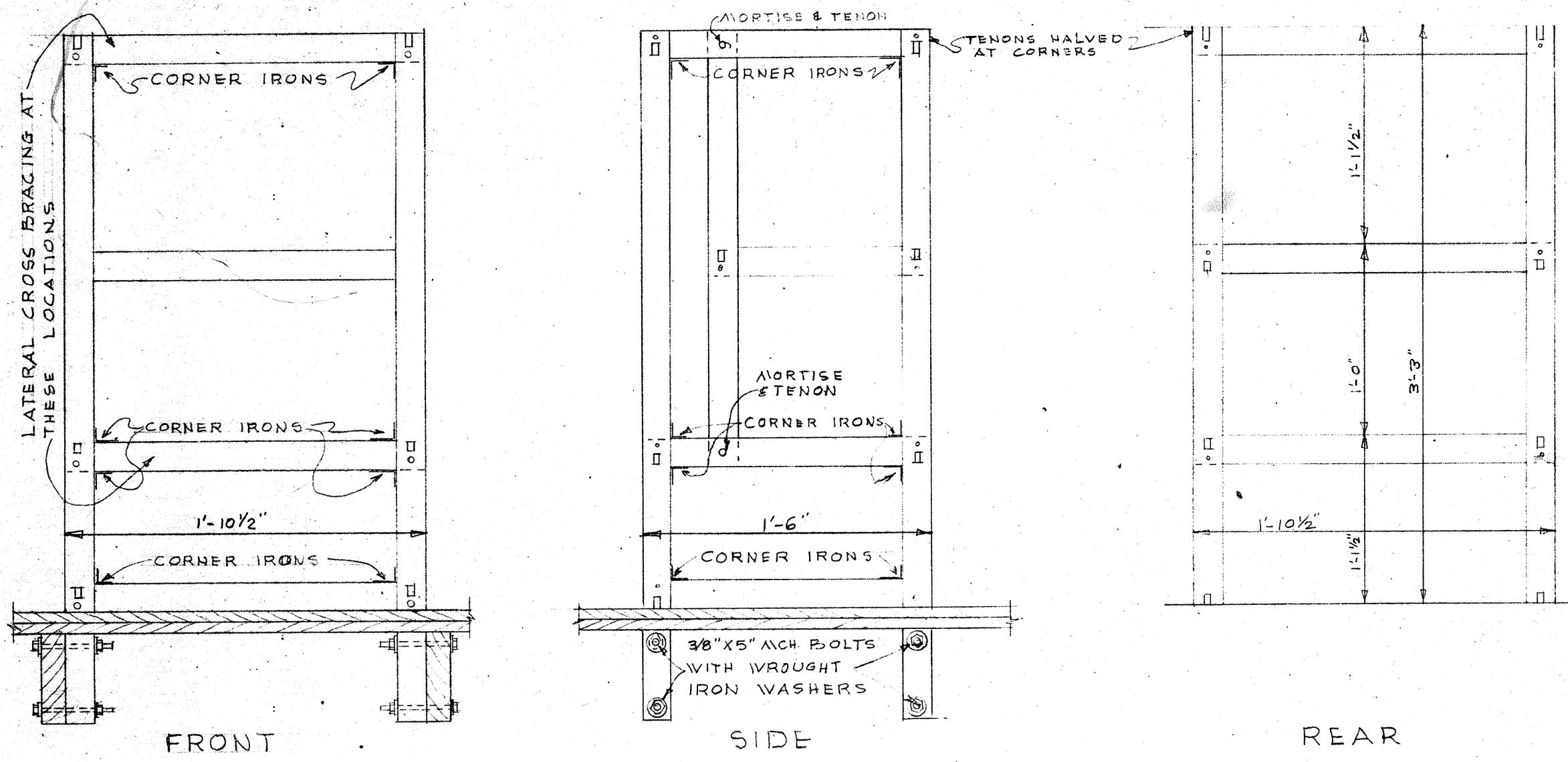
ELEVATION E-2-3 & 4
 SCALE - 1/2" = 1'-0"



SECTION - A-A
 SCALE 3/4" = 1'-0"
 JAN 12, 1959

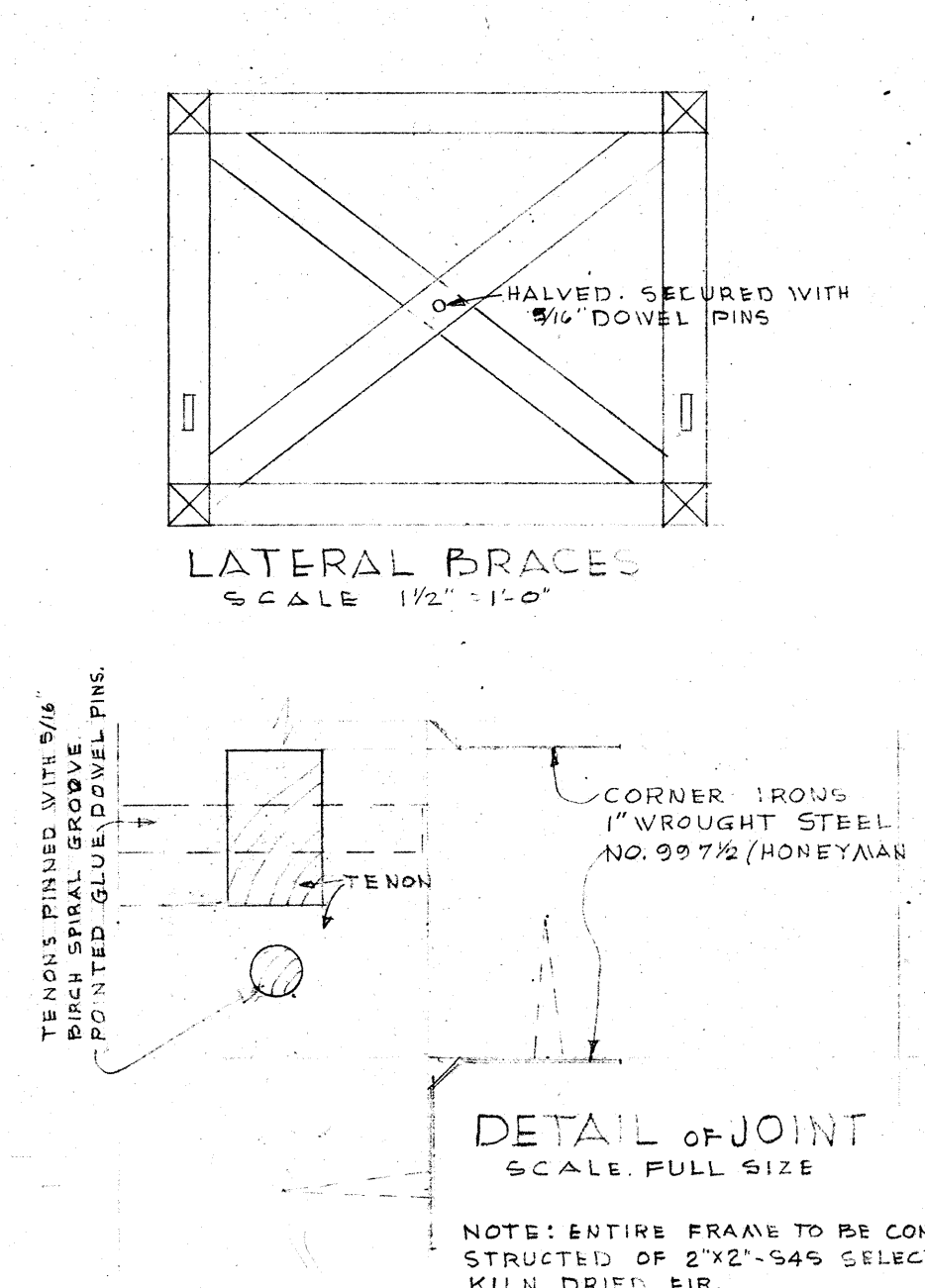
U.S. DEPARTMENT OF AGRICULTURE
 FOREST SERVICE
 REGION SIX
LOOKOUT HOUSE
 PLAN - ELEVATIONS & DETAILS
 ARCHITECT: A.P. DI BENEDETTO
 SCALE: AS SHOWN
 APPROVED AS REVISED
 W. W. Jones REGIONAL ENGINEER
 DRAWN: P.W.C.
 CHECKED: ONH
 DATE: 2/28/62
 REVISED 2/28/62 K.E.

4-9-64 B.A.H.
 1/16/63 L.E.M.
 2/28/62 ONH
 REVISED 2/28/62 K.E.



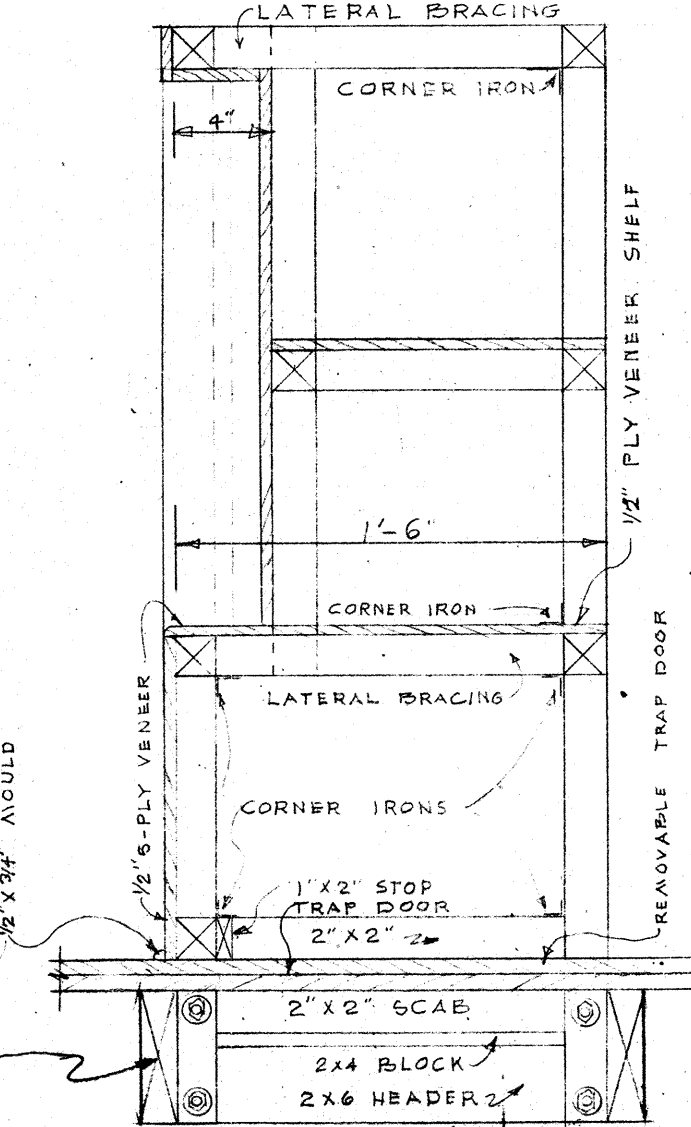
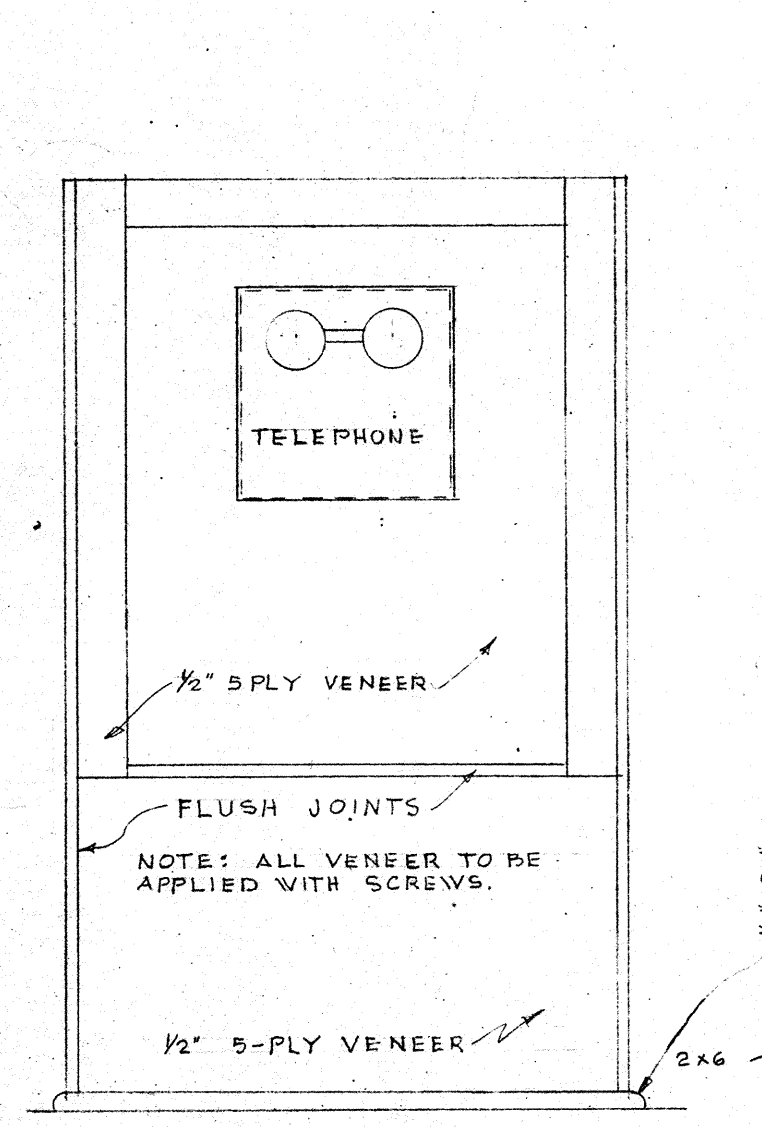
FRAME DETAILS OF FIRE FINDER STAND
SCALE 1/2"=1'-0"

NOTE: ENTIRE FRAME TO BE CONSTRUCTED OF 2X2 S4S, NO. 1, SELECT, KILN DRIED FIR.



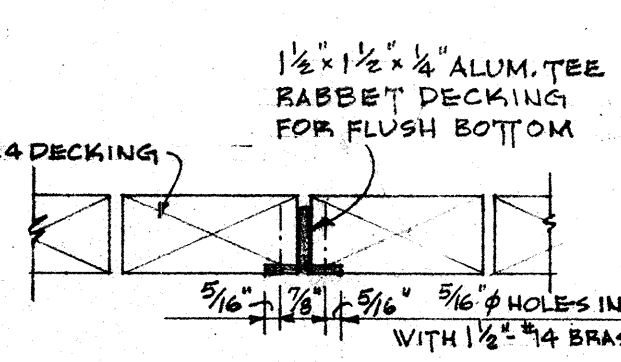
DETAIL OF JOINT
SCALE FULL SIZE

NOTE: ENTIRE FRAME TO BE CONSTRUCTED OF 2X2 S4S SELECT KILN DRIED FIR.

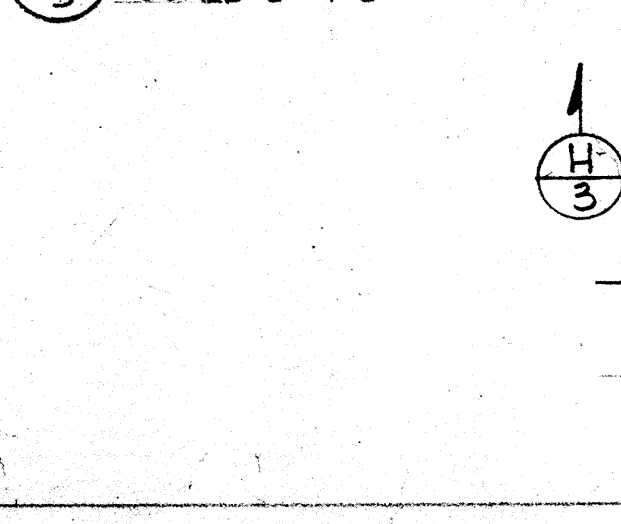


SECTION X-X
SCALE 3/4"=1'-0"

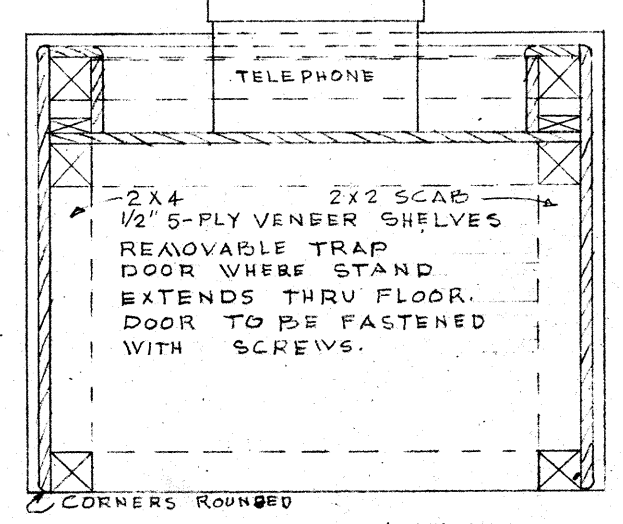
DECKING ADJACENT TO COUNTERWEIGHT TEE'S TO BE FASTENED TO CLEATS WITH 1/2" X 4" CARRIAGE BOLTS (GALV.) & 1" FLAT WASHER (GALV.) - FASTEN OTHER DECKING PIECES TO CLEATS WITH 1/2" X 4" COMMON NAILS (GALV.) CLINCH NAILS - TYPICAL



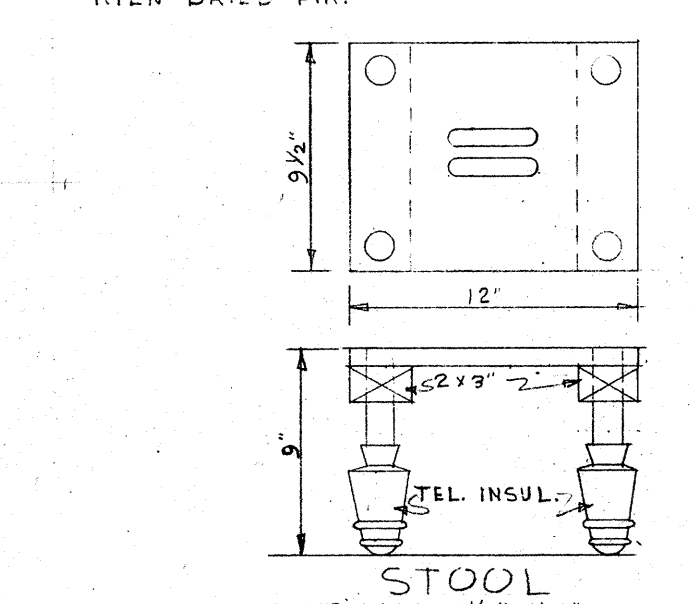
SECTION B
SCALE 3/4"=1'-0"



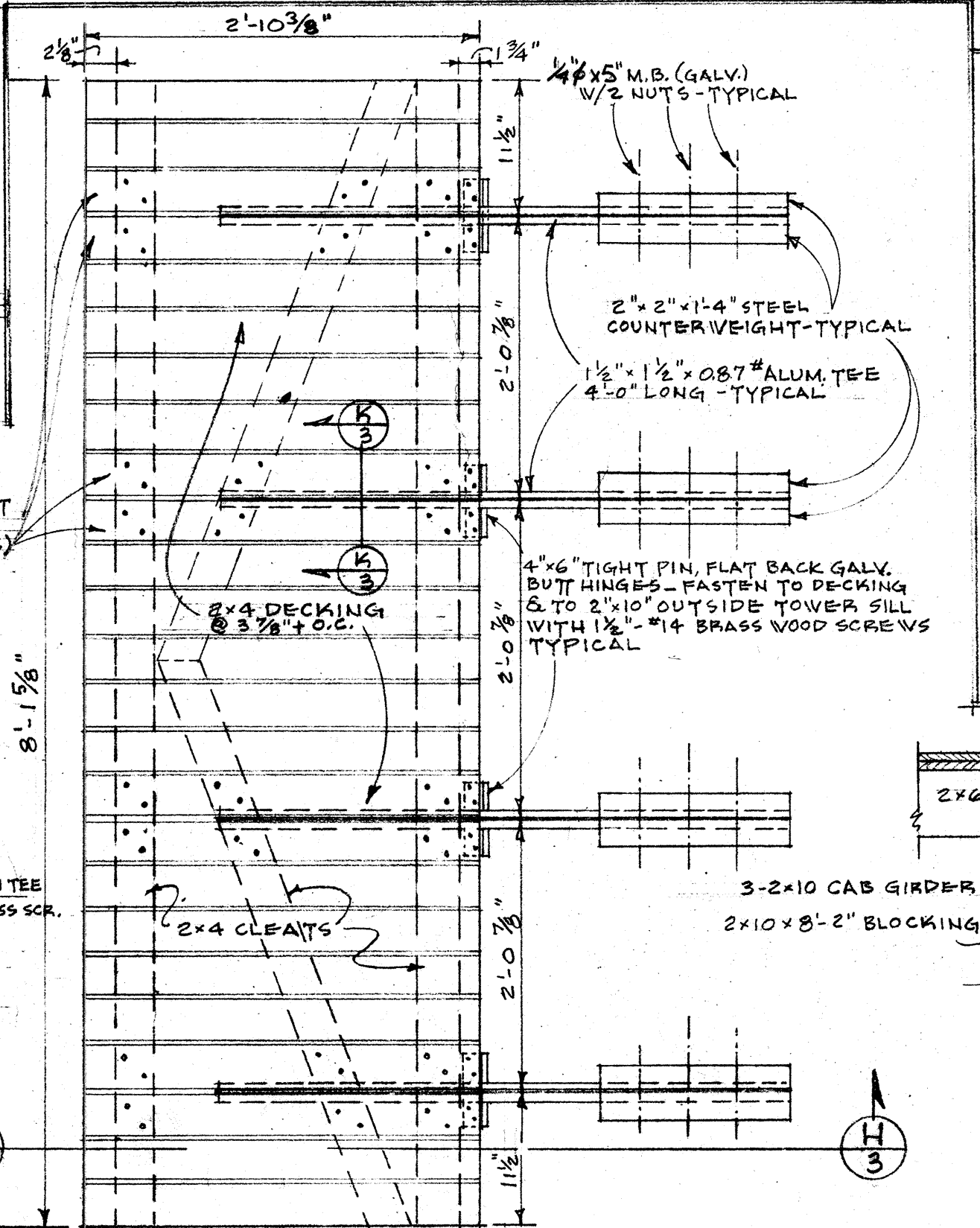
REAR



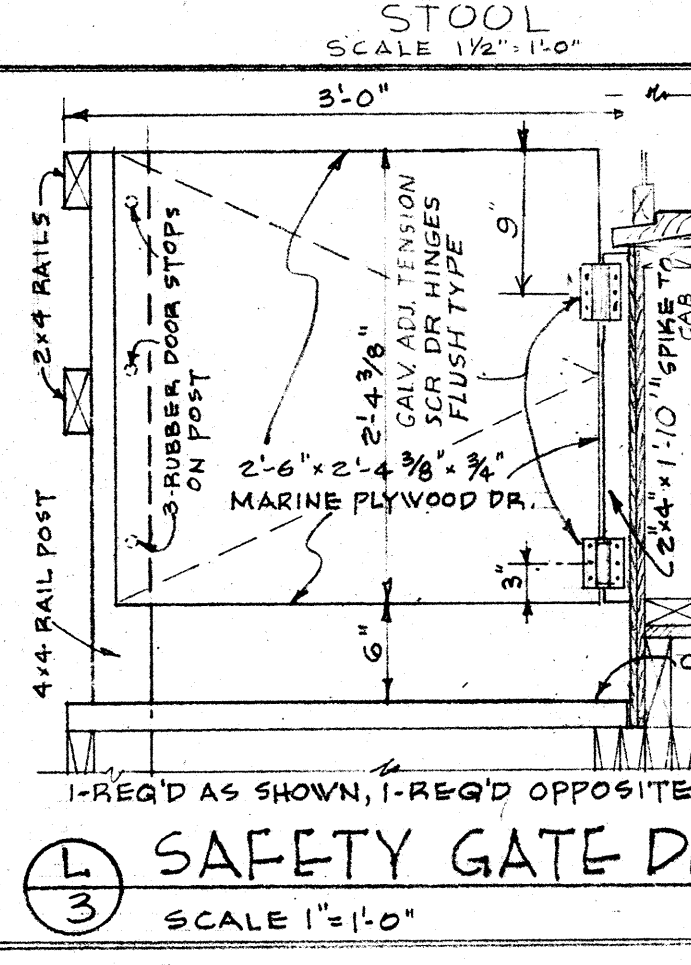
PLAN AT Y-Y



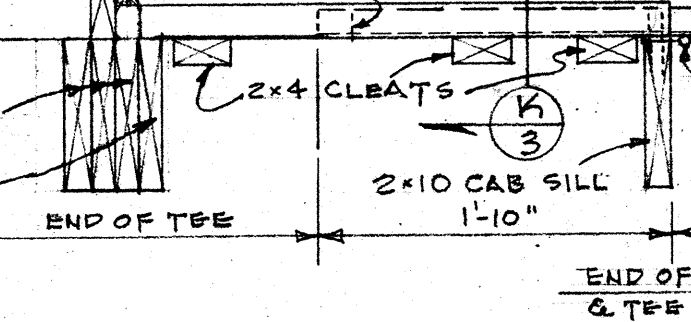
STOOL
SCALE 1/2"=1'-0"



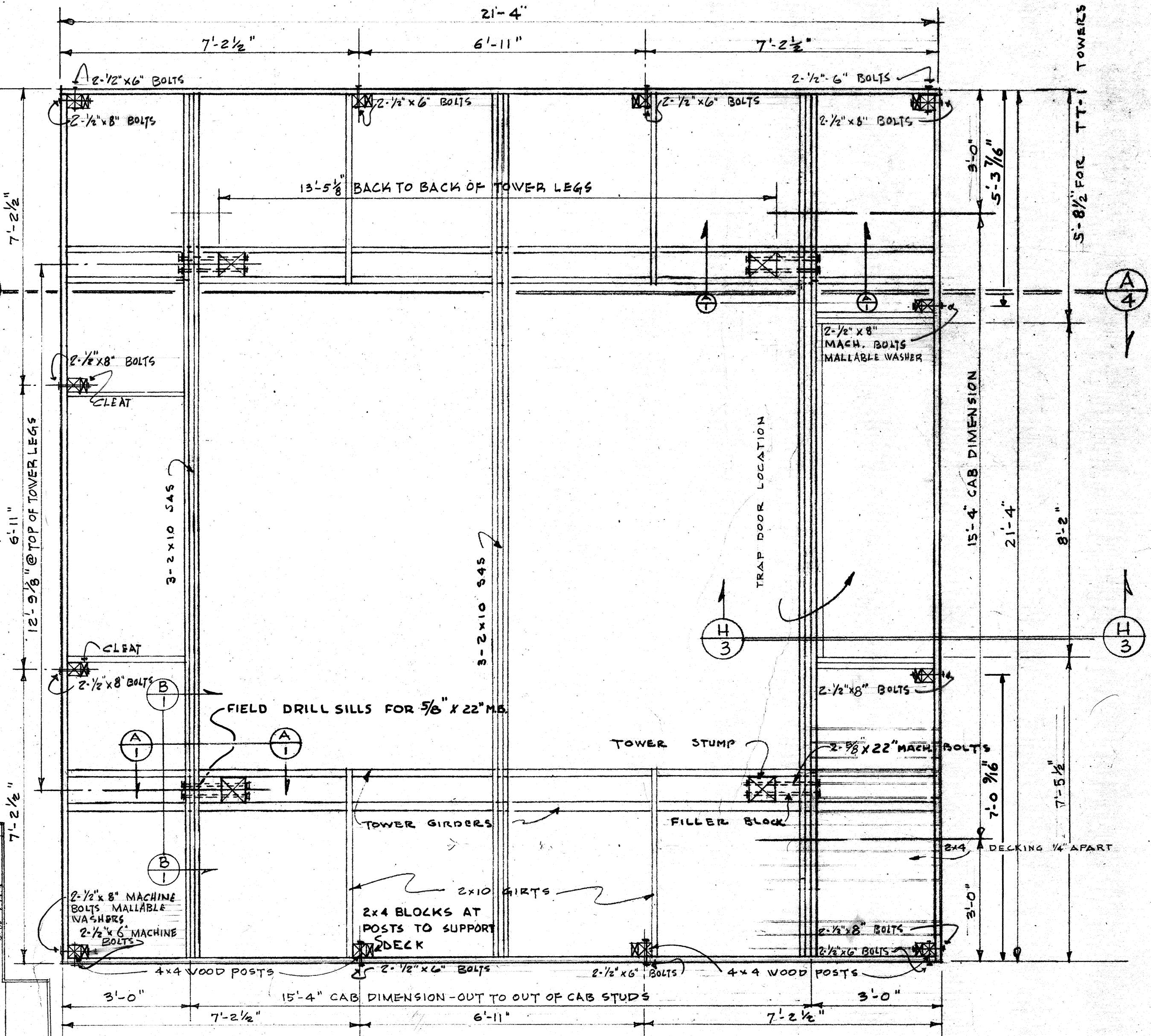
PLAN
SCALE 1"=1'-0"



SAFETY GATE DET.
SCALE 1"=1'-0"



SECTION H
SCALE 1"=1'-0"



PLAN OF CATWALK SILL
SCALE 1/2"=1'-0"

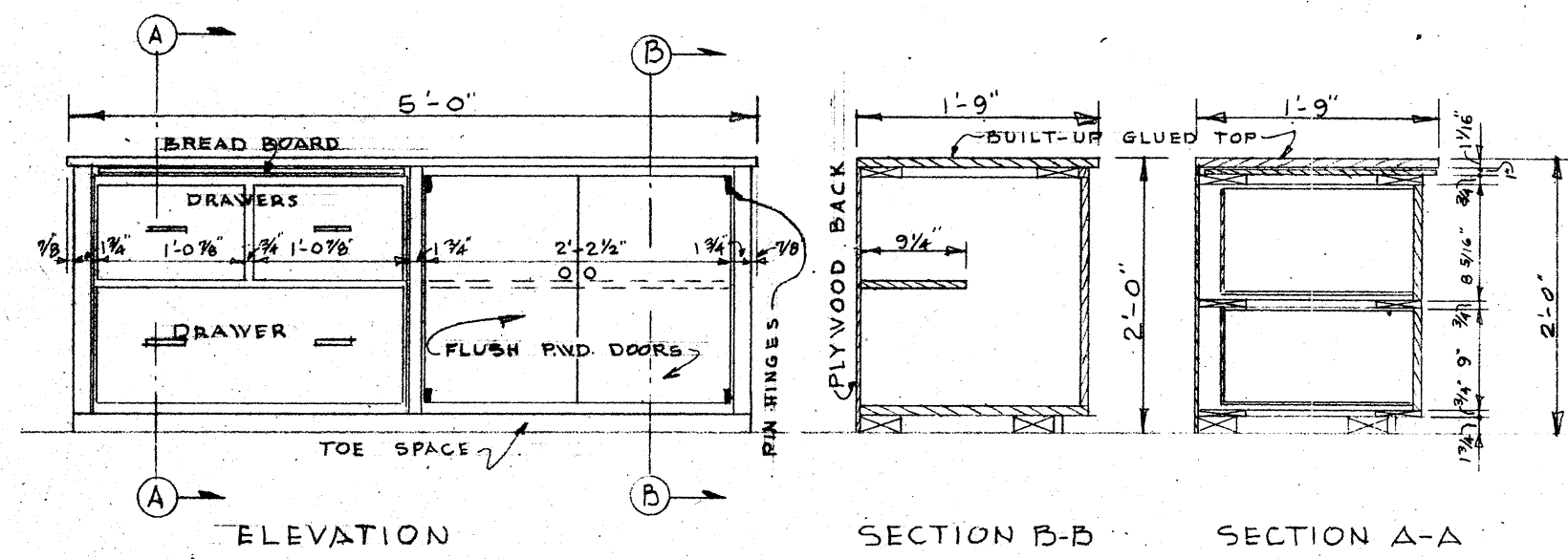
- NOTES:
- SEE DRAWING B-4304 FOR RAILING DETAILS
 - 2X10 SILLS FURNISHED BY HOUSE FABRICATOR
 - SILLS TO BE PRESURE TREATED WITH PRESERVATIVE SPECIFIED FOR ALL GROUND HOUSE TYPES. SEE DWG. B-4303A FOR DETAILS

REVISED 3-9-64 B.A.H. ✓
REVISED 2/28/62 J.A.H. ✓
REVISED 5/28/58 J.A.H. ✓
REVISED 12/10/56 J.A.H. ✓

US DEPARTMENT OF AGRICULTURE
FOREST SERVICE
REGION SIX

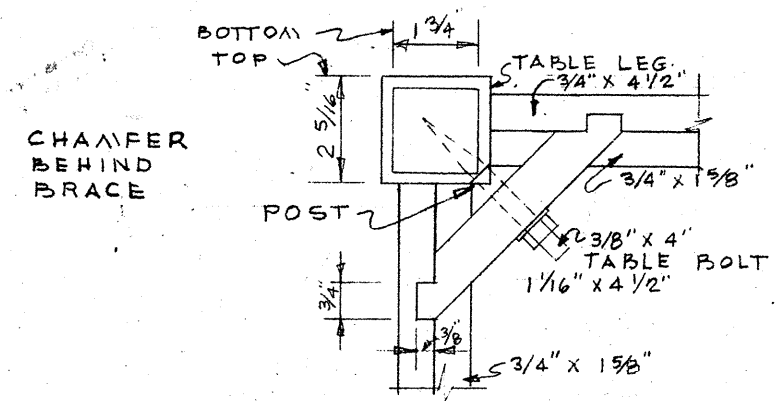
LOOKOUT HOUSE
PLAN & DETAILS

ARCHITECT: A. P. DI BENEDETTO
SCALE: AS SHOWN
APPROVED AS REVISED
DRAWN: J.A.H.
CHECKED: J.A.H.
DATE: 3-1-62
W.W. Jones REGIONAL ENGINEER

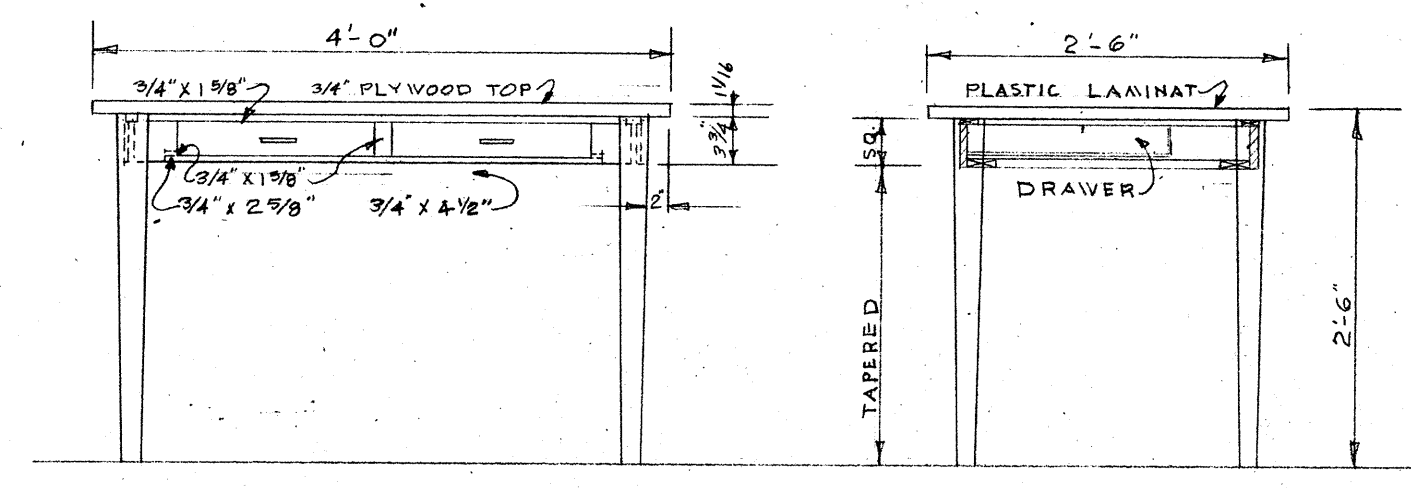


KITCHEN CABINET B
SCALE 3/4" = 1'-0"

NOTE: ONE CABINET LIKE THIS
ALL DOORS & DRAWER PULLS U.S. 10 SOLID BRONZE

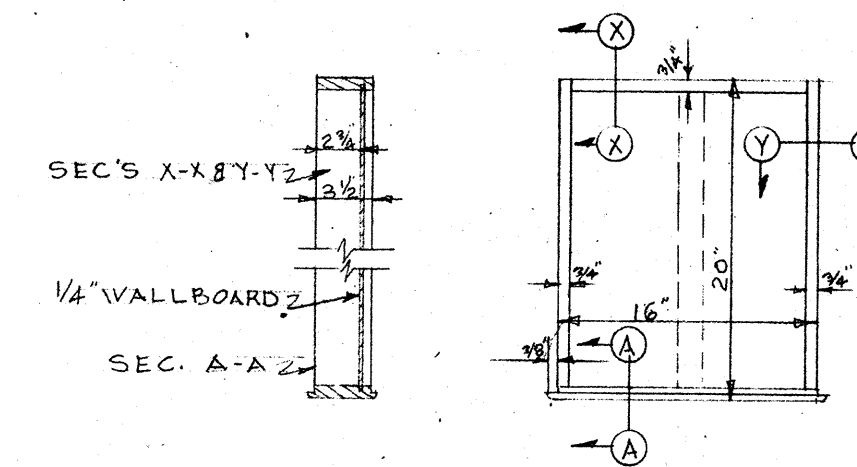


DETAIL OF TABLE LEG CONNECTION
LOOKING UP FROM FLOOR
SCALE 3/4" = 1'-0"



ELEVATION SECTION

TABLE
SCALE 3/4" = 1'-0"



DETAIL OF DRAWER
SCALE 1" = 1'-0"

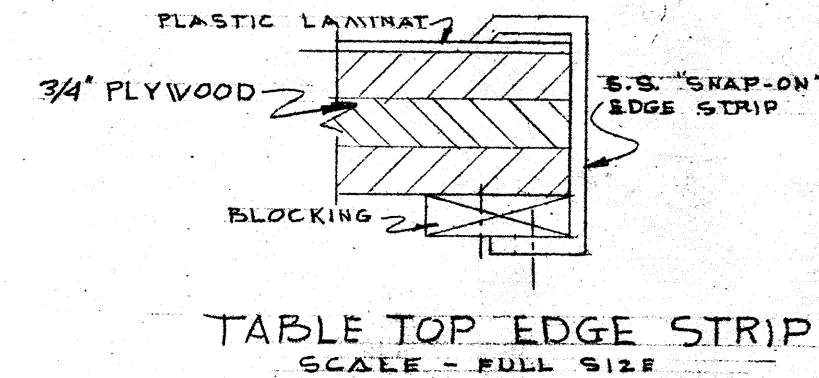
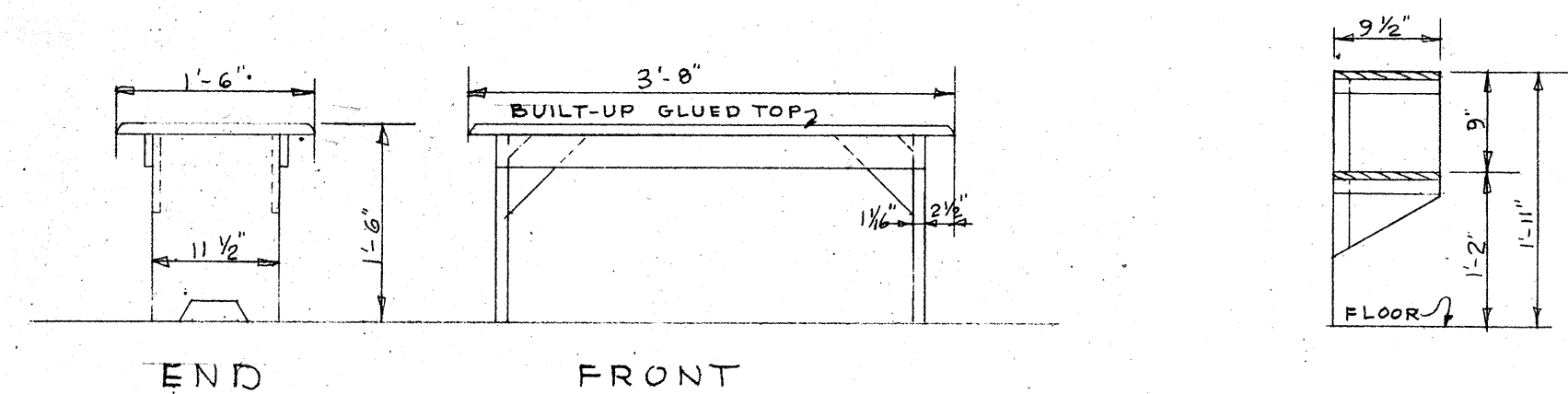
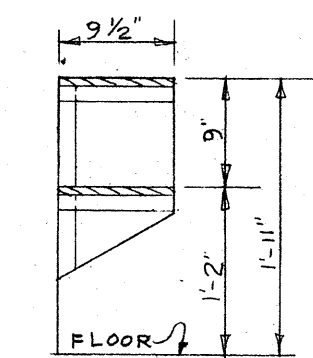


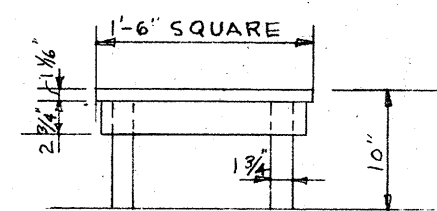
TABLE TOP EDGE STRIP
SCALE - FULL SIZE



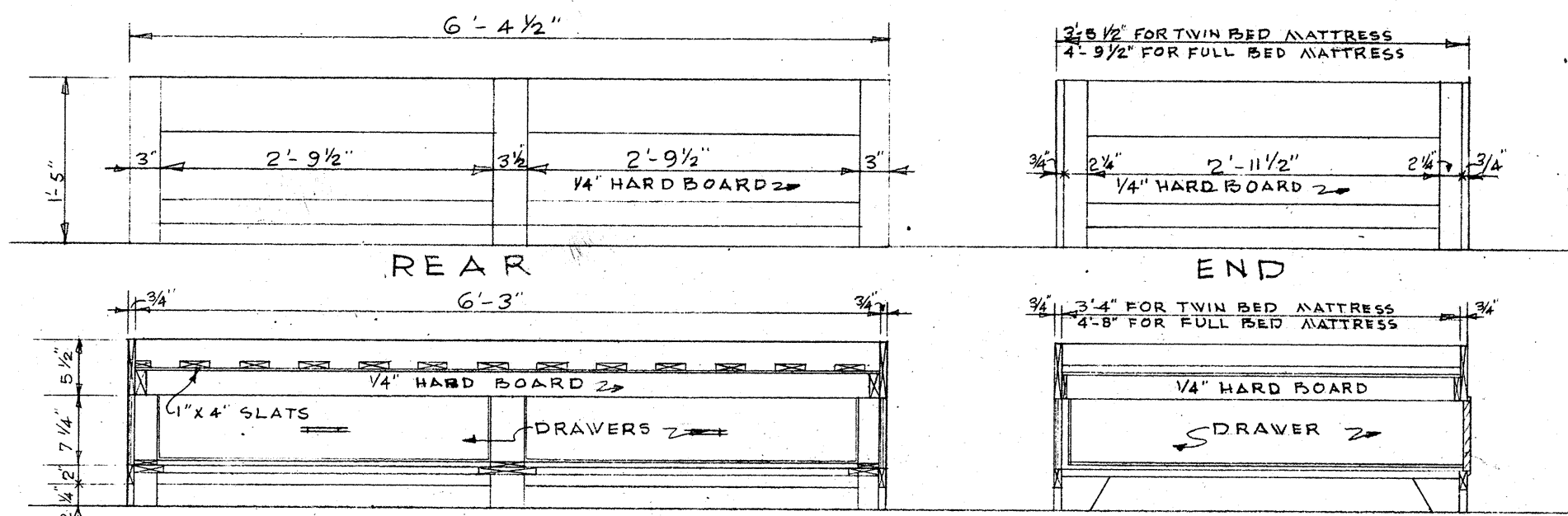
END FRONT
BENCH
SCALE 3/4" = 1'-0"



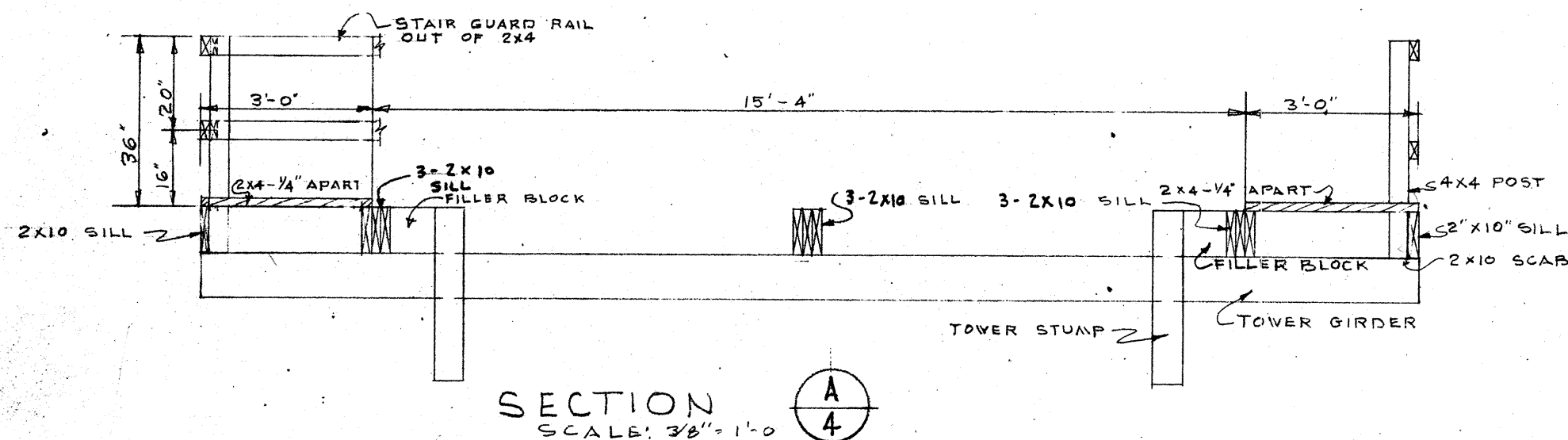
SHELVES
SCALE 3/4" = 1'-0"



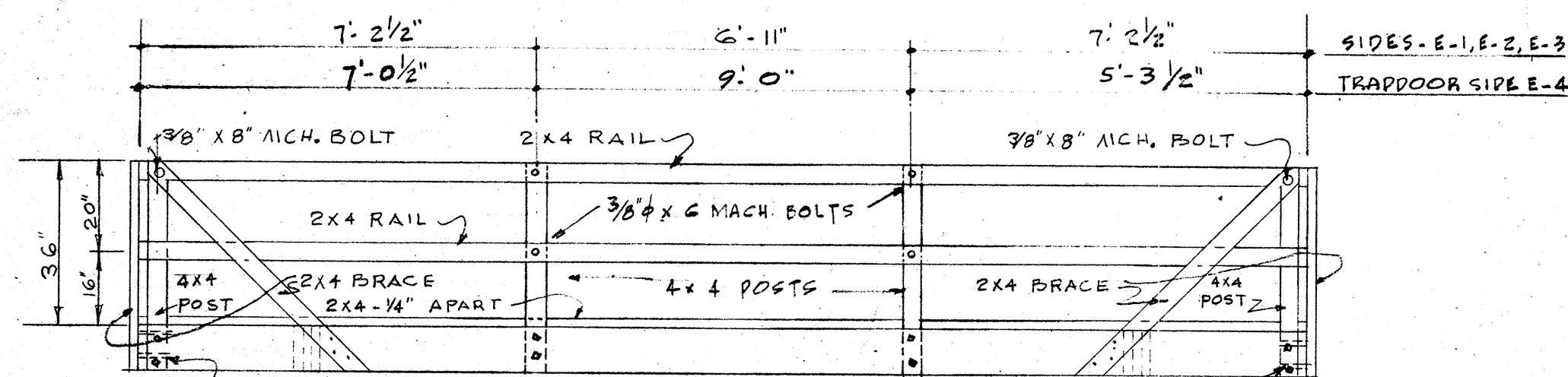
WATER STAND
SCALE 3/4" = 1'-0"



LONGITUDINAL SECTION CROSS SECTION
TWIN BED MATTRESS BUNK
SCALE 3/4" = 1'-0"

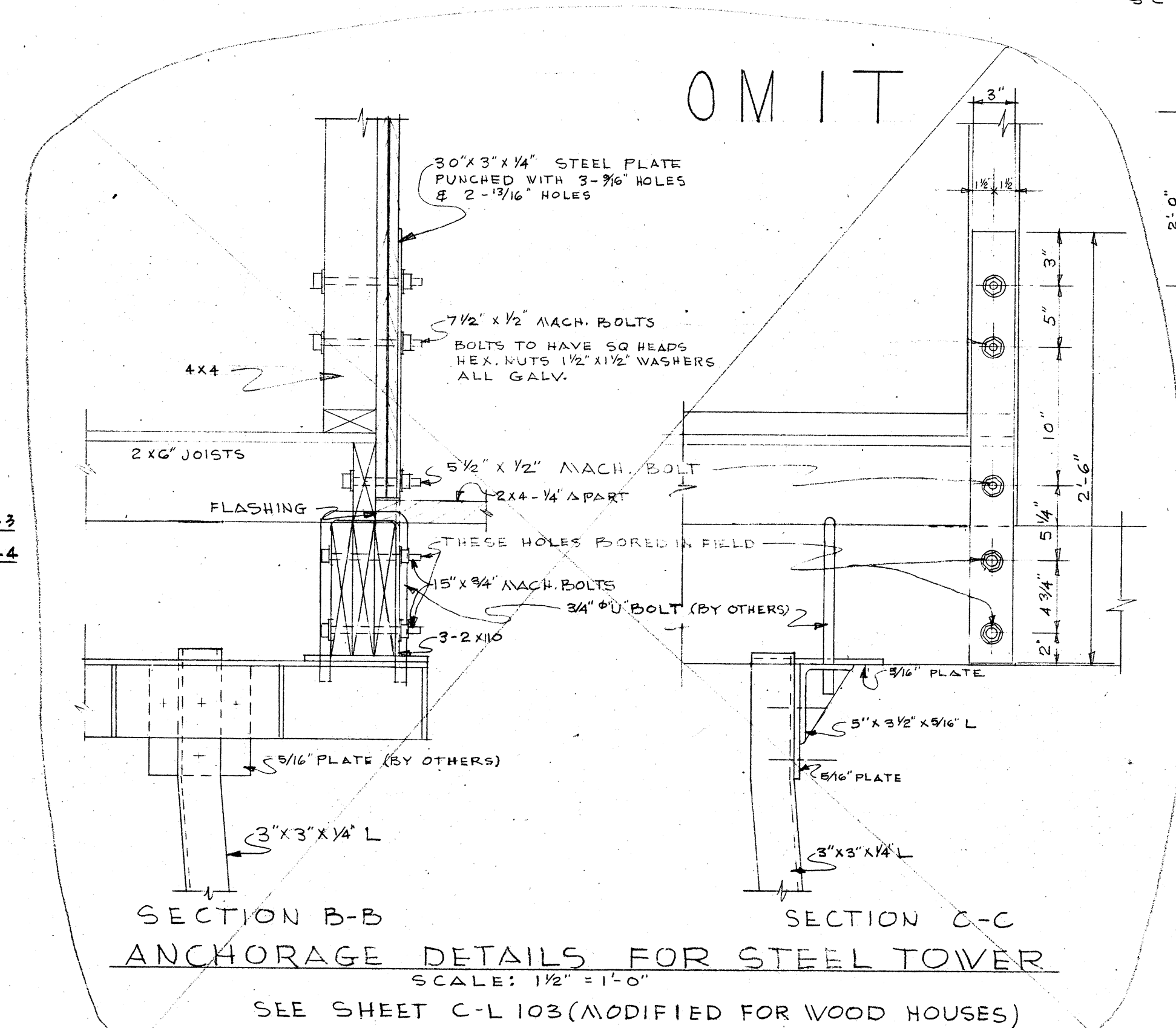


SECTION A-A
SCALE: 3/8" = 1'-0"

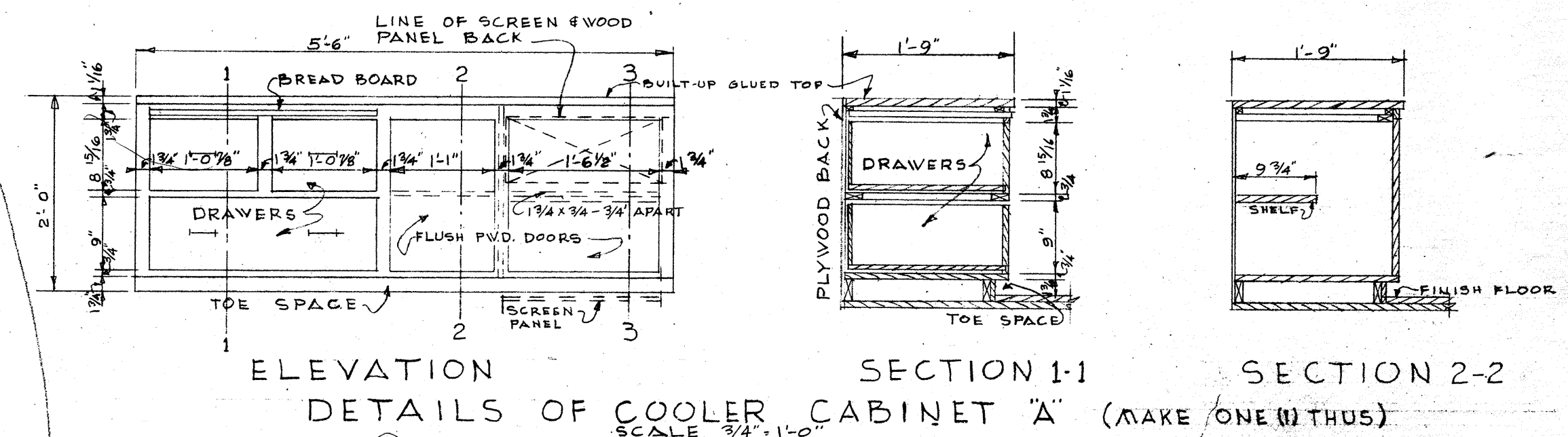


ELEVATION OF CATWALK & RAIL
SCALE: 3/8" = 1'-0"

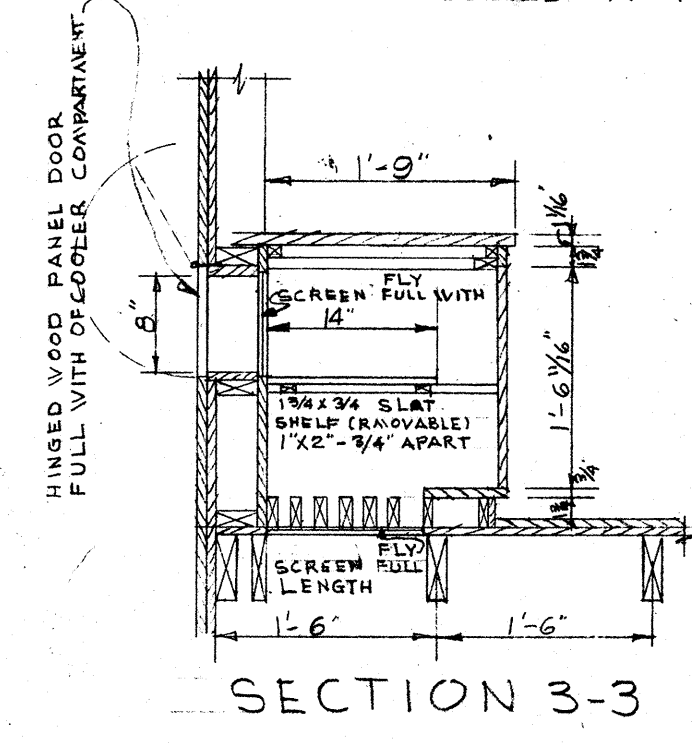
NOTE: ALL BOLTS TO BE MACHINE BOLTS WITH TWO 1/4\"/>



SECTION B-B SECTION C-C
ANCHORAGE DETAILS FOR STEEL TOWER
SCALE: 1/2" = 1'-0"
SEE SHEET C-L 103 (MODIFIED FOR WOOD HOUSES)



ELEVATION SECTION 1-1 SECTION 2-2
DETAILS OF COOLER CABINET 'A' (MAKE ONE OF THIS)
SCALE 3/4" = 1'-0"

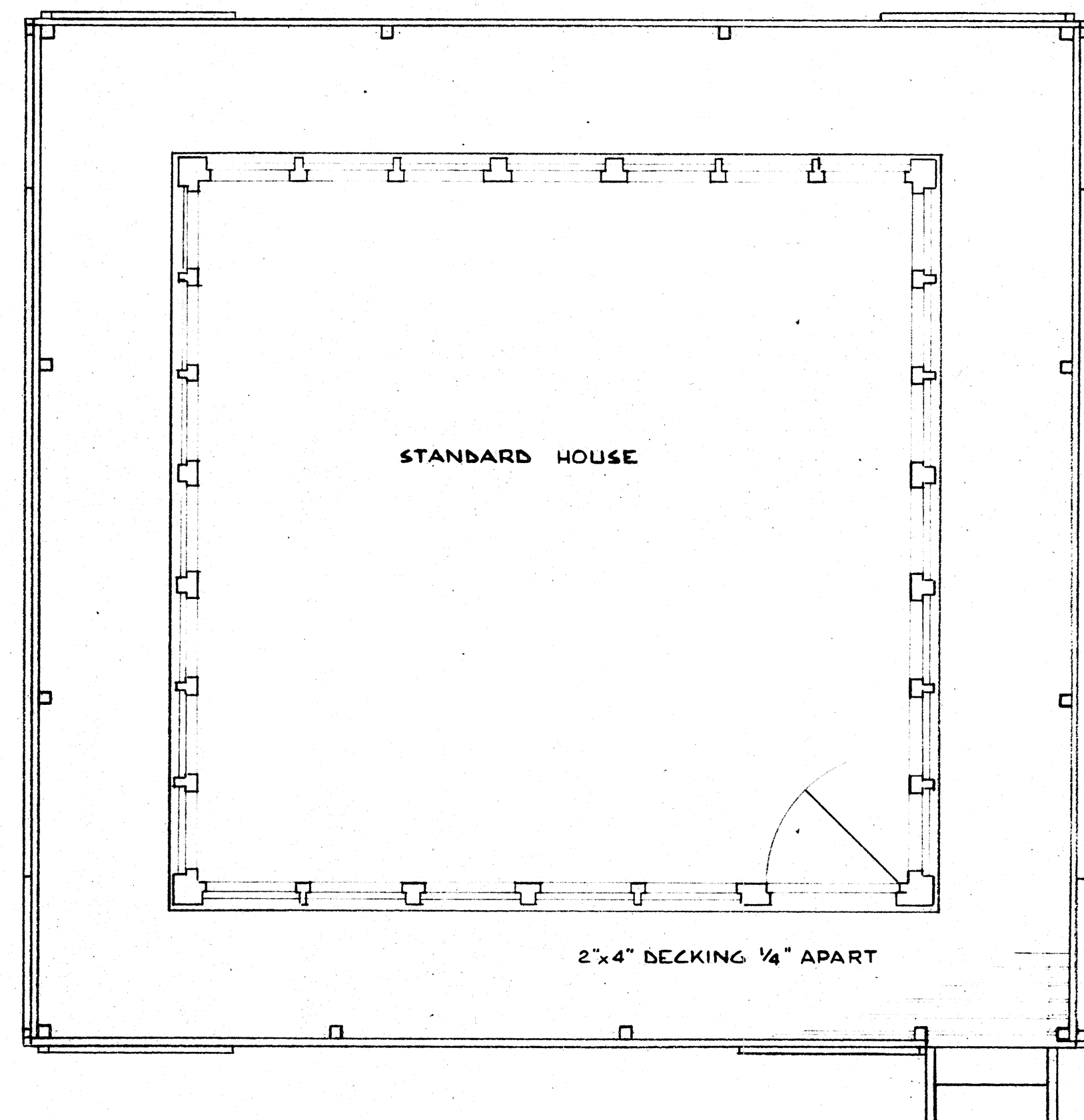


SECTION 3-3

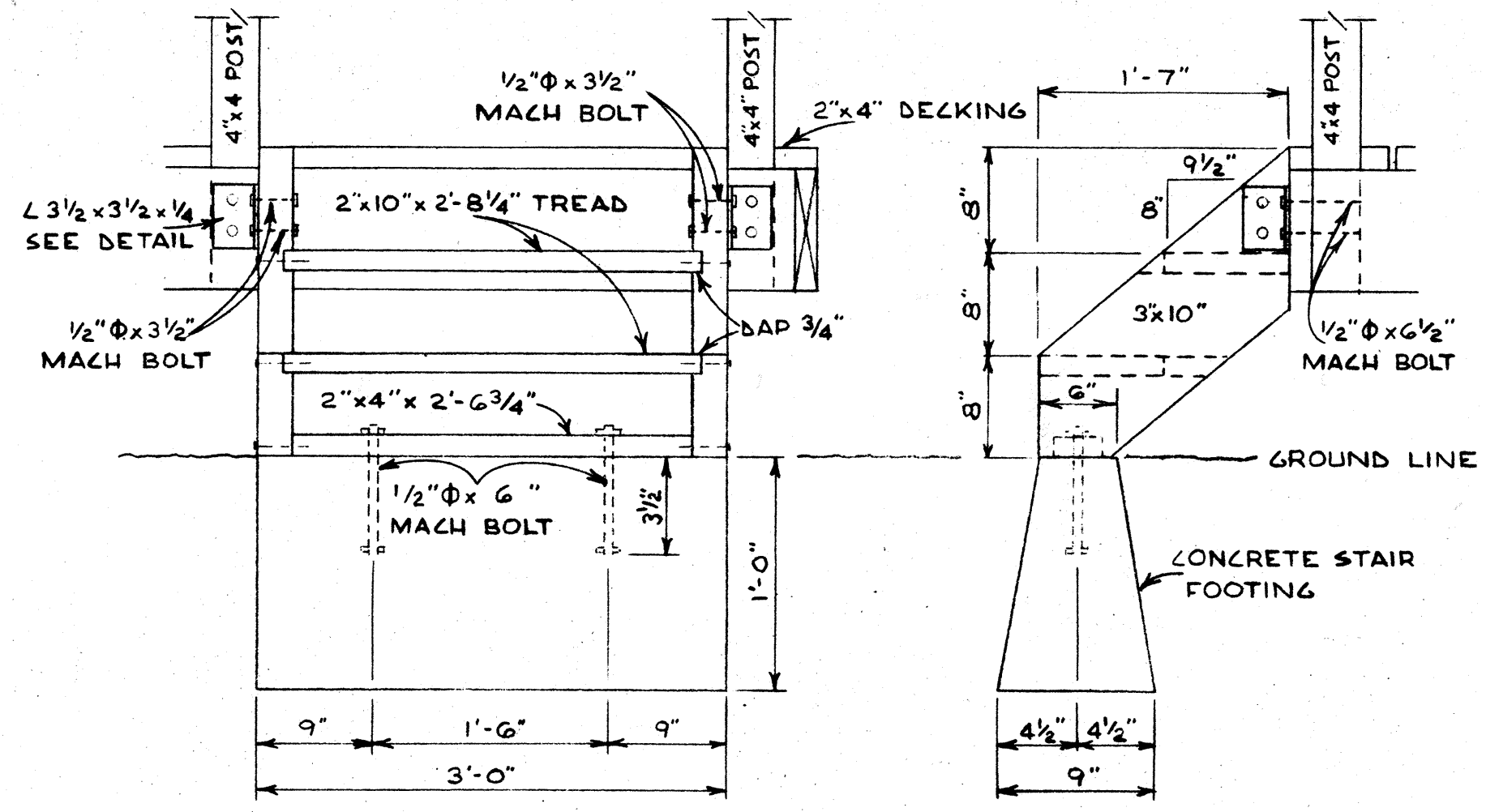
REVISED 2/28/62 P.W.C. *W.W. Jones*
U.S. DEPARTMENT OF AGRICULTURE
FOREST SERVICE
REGION SIX

LOOKOUT HOUSE
FURNITURE & CATWALK DETAILS

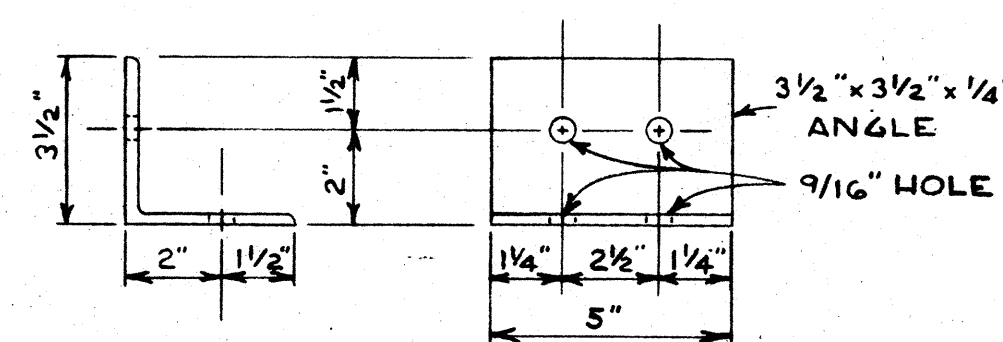
ARCHITECT: A. P. D. BENEDETTO DRAWN BY X
SCALE: AS SHOWN CHECKED
APPROVED: *W.W. Jones* REVISOR DATE: 3-1-62
REGIONAL ENGINEER



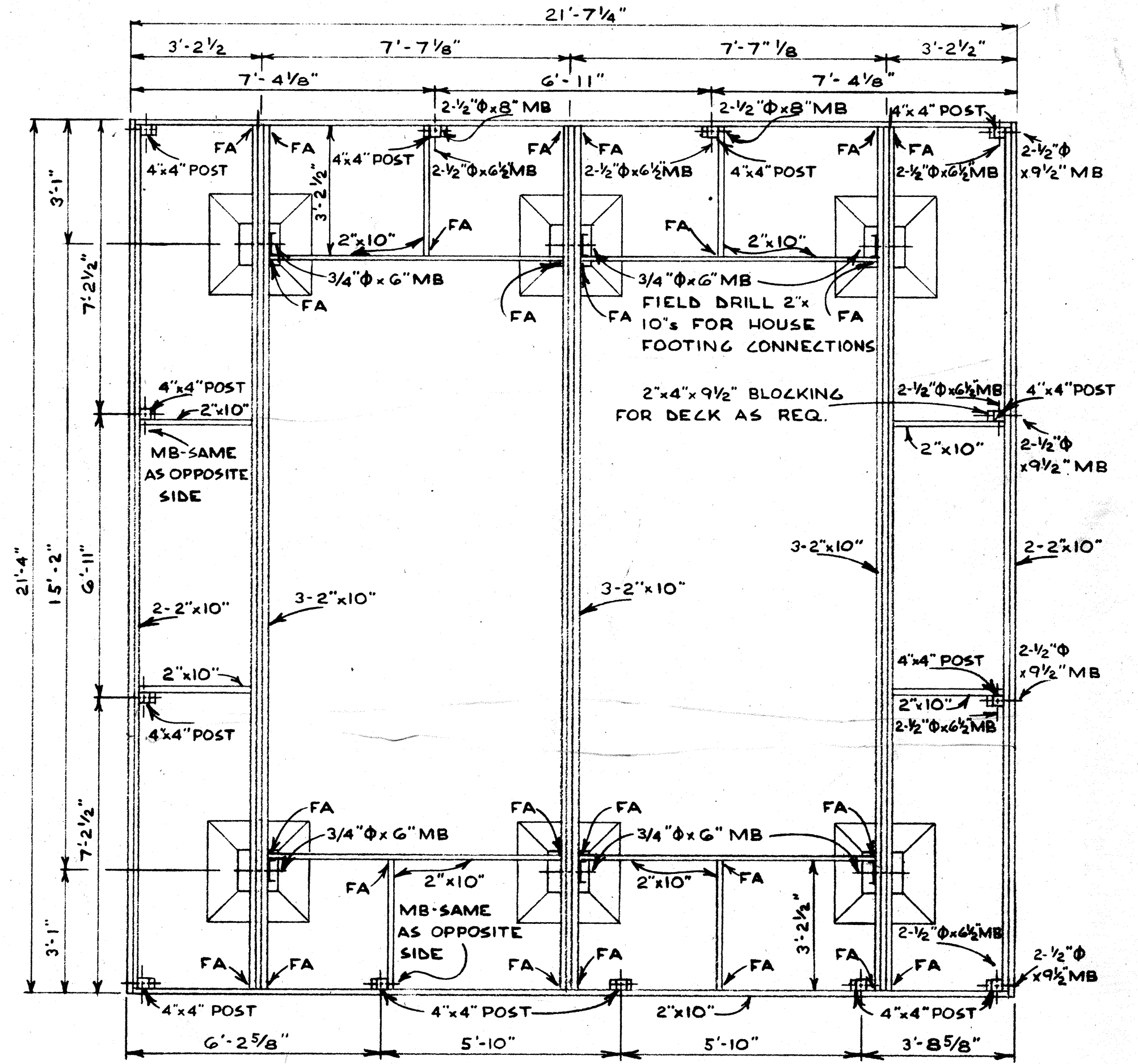
FLOOR PLAN
SCALE 3/8"=1'-0"



STAIR DETAIL
SCALE 1"=1'-0"

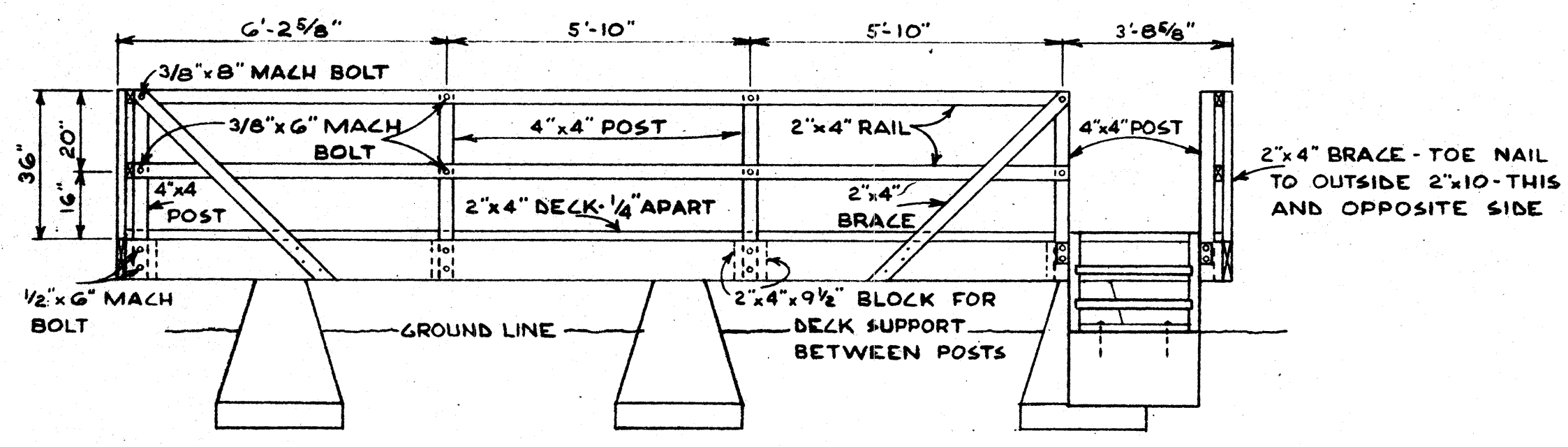


STAIR CONNECTION DETAIL
SCALE 3"=1'-0"
2 REQUIRED GALVANIZED

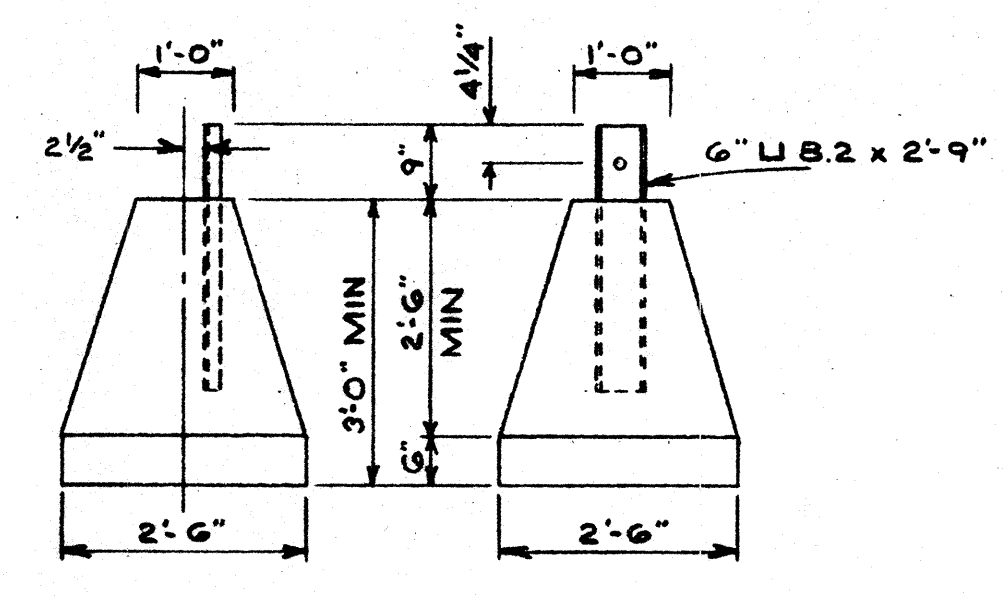


SILL PLAN
SCALE 3/8"=1'-0"
FA = FRAMING ANCHOR - GALVANIZED TYPE L
MB = MACHINE BOLT W/ 2-2 1/2" MALLEABLE WASHERS

NOTE - TIMBER MEMBERS SHOWN ON THIS PLAN & STAIR STRINGERS SHALL BE PRESSURE TREATED.



CATWALK & RAIL ELEVATION
SCALE 3/8"=1'-0"



HOUSE FOOTING
SCALE 1/2"=1'-0"
6 REQ'D

CONCRETE QUANTITIES

FOR MINIMUM DEPTHS SHOWN ON THE DETAILS

LOCATION	NO. REQ'D	UNIT QUAN.	TOTAL QUAN.
HOUSE FOOTING	6	0.42 yd	2.52 yds
STAIR FOOTING	1	0.07 yd	0.07 yd

REGIONAL BUILDING COMMITTEE	U. S. DEPARTMENT OF AGRICULTURE FOREST SERVICE REGION SIX	GROUND HOUSE DETAILS
APPROVED: E- <i>W. W. Jones</i> REGIONAL ENGINEER O- ASST. REGIONAL FORESTER F- ASST. REGIONAL FORESTER	ENGINEER LEM & CDS CHECKED CDS & R.R. SUBMITTED BY <i>[Signature]</i>	LOOKOUT HOUSE
	DRAWN BY: L.E.M. DATE: FEB 4, 1963	SHT #