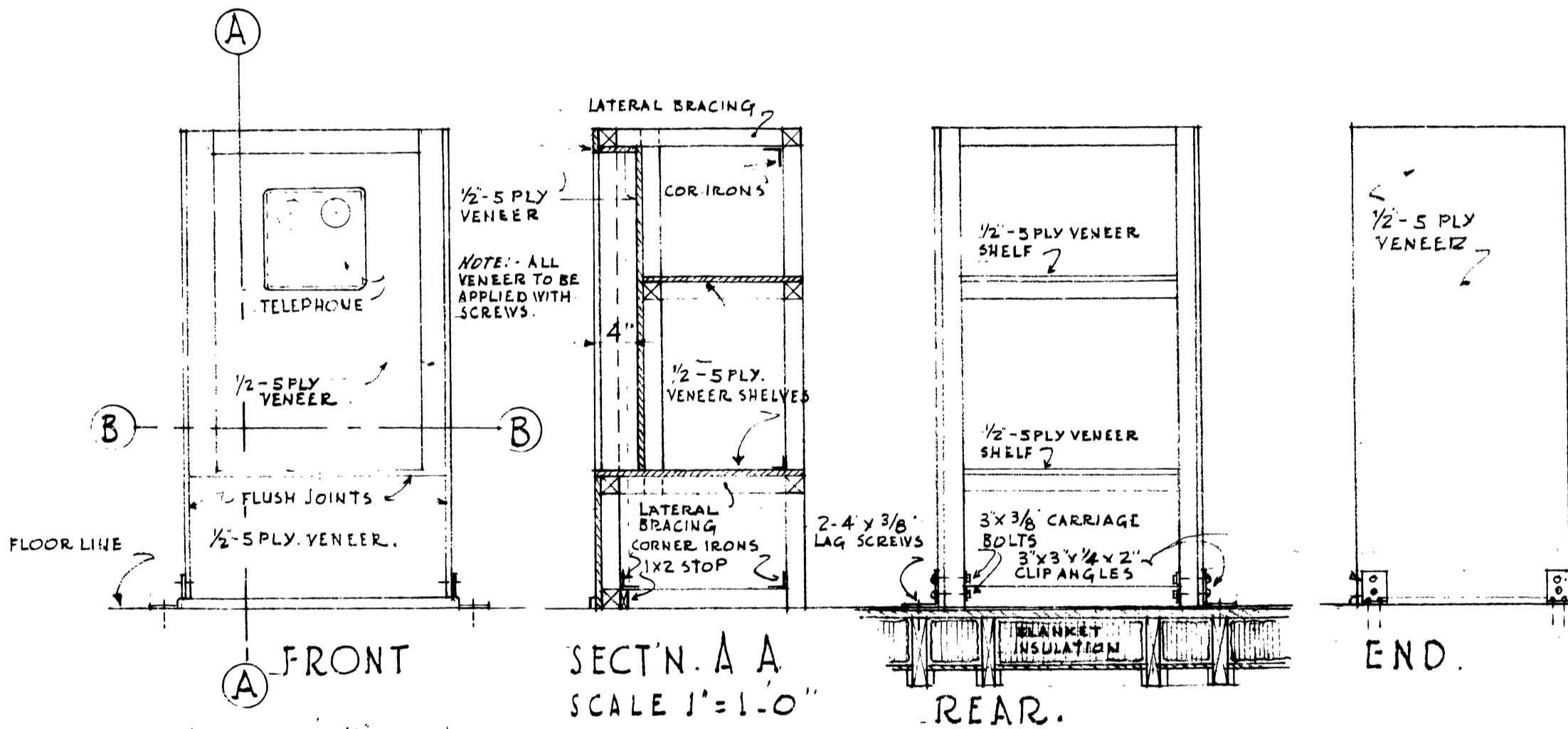
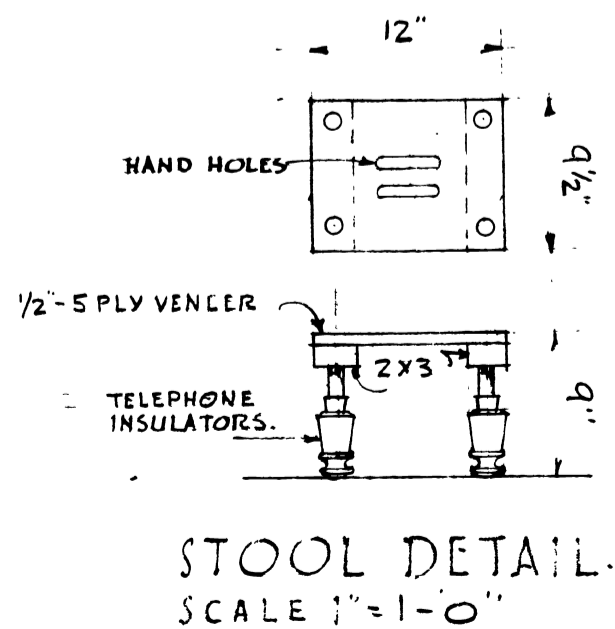
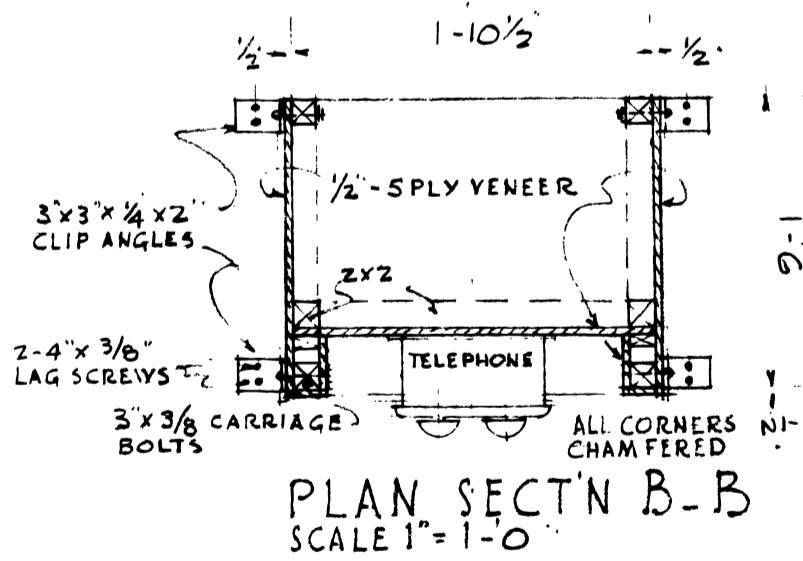


FRAMING DETAILS  
 SCALE 1" = 1'-0"



ELEVATIONS & SECTIONS  
 SCALE 1" = 1'-0"



U.S. DEPARTMENT OF AGRICULTURE  
 FOREST SERVICE  
 REGION SIX. JAMES FRANKLAND, ASST. REG. FORSTR.  
 FIRE-FINDER  
 STAND.  
 DESIGNED W.I.T. DRAWN H.L.G. TRACED  
 SCALE AS MARKED CHECKED  
 APPROVED DATE 3-19-45  
 ASST. REGIONAL FORESTER

ONE SHEET ONLY DWG NO 1043.

LT104319450A