

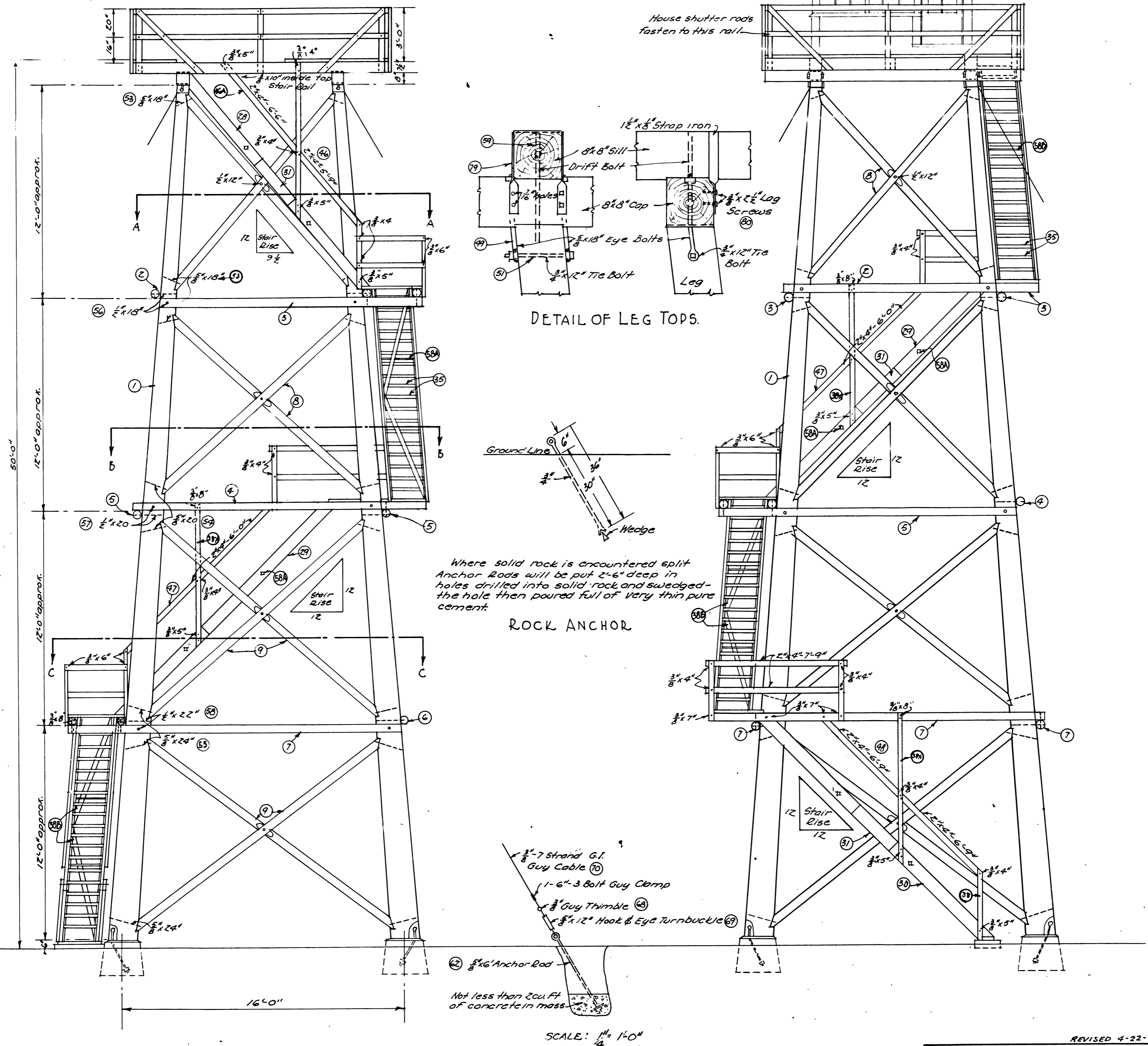
NOTES:

All logs and poles to be peeled. All bolt holes and contact surfaces to be treated with creosote before assembly. Tower House and Platform to be painted. Bolts to be purchased standard threads on all long bolts to be run down approx 4".

Before pouring concrete piers determine the dia. of base of leg to be used. Then slope top of pier 1/2" from outer edge of leg to permit drainage and prevent moisture collecting under leg.

If round material is used for Platform Frame, the pieces need to be faced on top side only and dapped at bearing point on under side.

The 2x8" will be only 7 1/2" so that sills must be dapped a sufficient depth on cap to allow joint to fit properly.



Where solid rock is encountered split Anchor Rods will be put 2-6" deep in holes drilled into solid rock and swaged - the hole then poured full of very thin pure cement.

Note: All stair and platform railings and posts shall be painted white.

REVISED 4-22-1944 H.W.G.

U.S. DEPT. OF AGRICULTURE
FOREST SERVICE REGION NO. 1
**LOOKOUT TOWER
WITH CUPALO**
FOR USE WITH PLAN L-6
PLAN L-1

DESIGNED BY C.P. FICKES & J.B. HALM
APPROVED BY *Frank J. Professor*
Acting Assistant Regional Forester

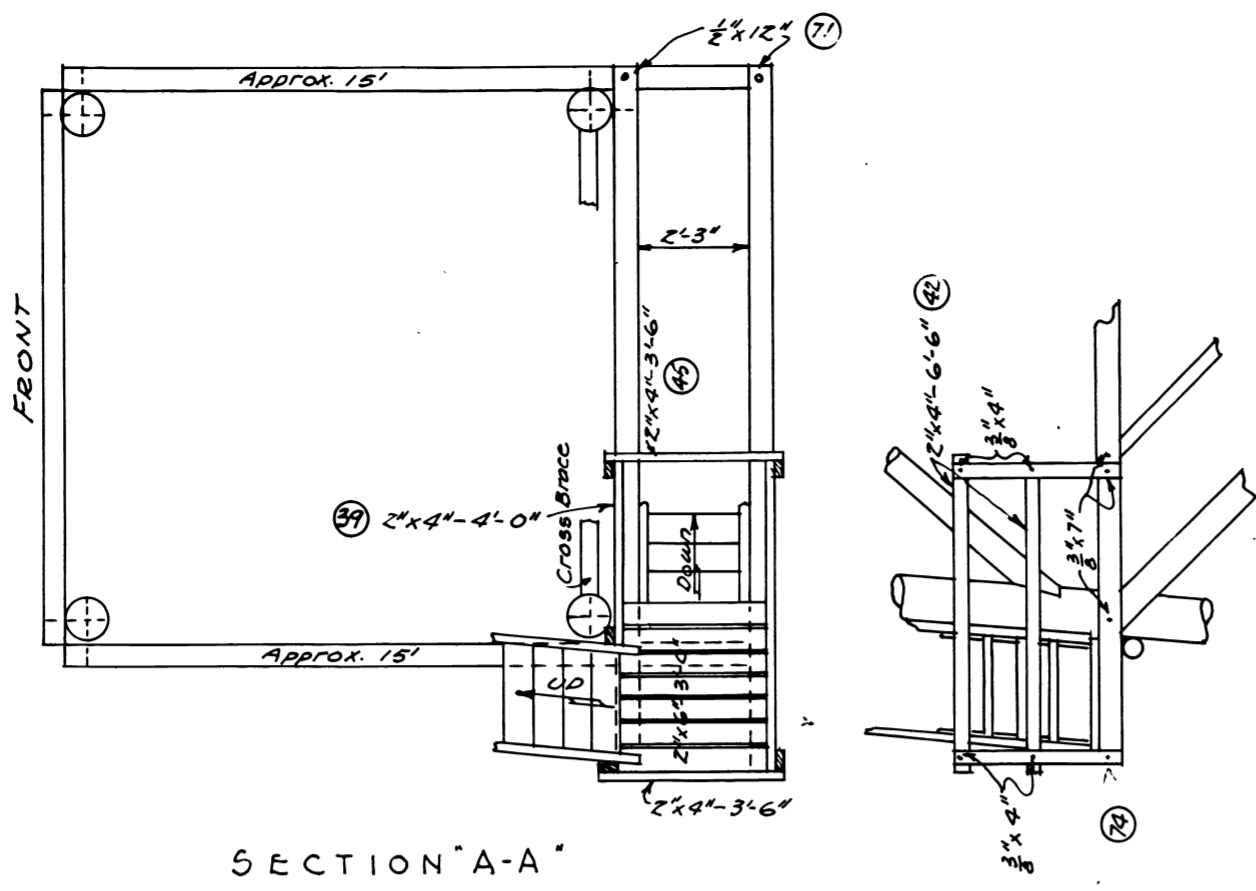
MAR. 1932 SHEET 1 OF 4

Old Plan T-1
Changed 8/1/39
Drawn By H.W. Coughlin

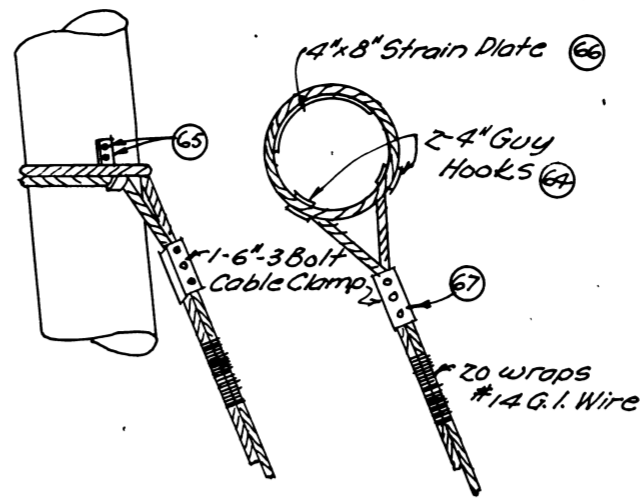
SP-07-01-01

R1-L1-1-1932

12-7-T



SECTION "A-A"



GUY CONNECTIONS

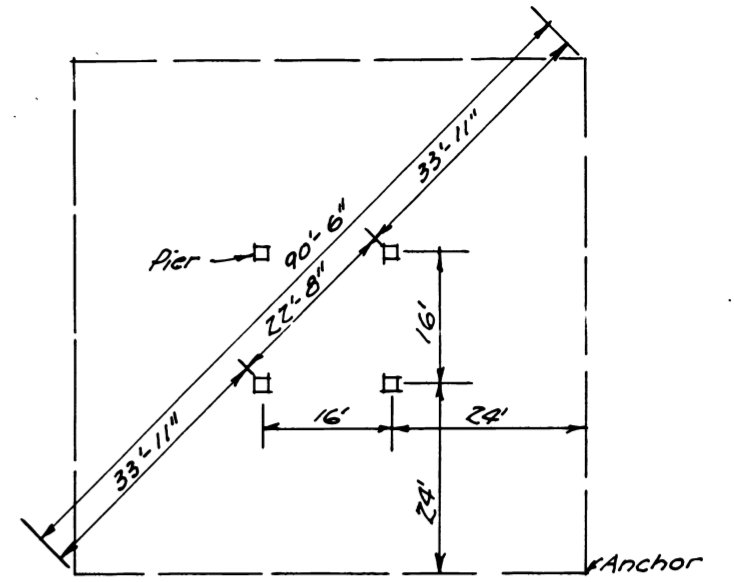
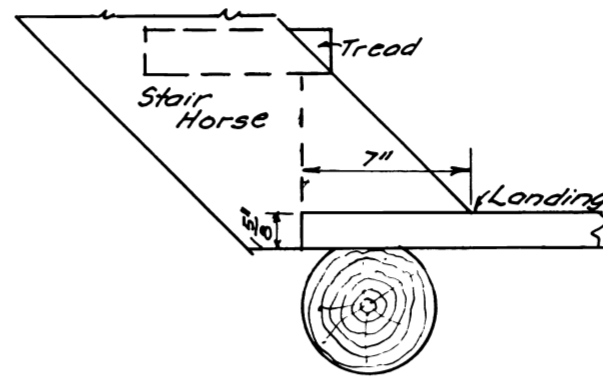
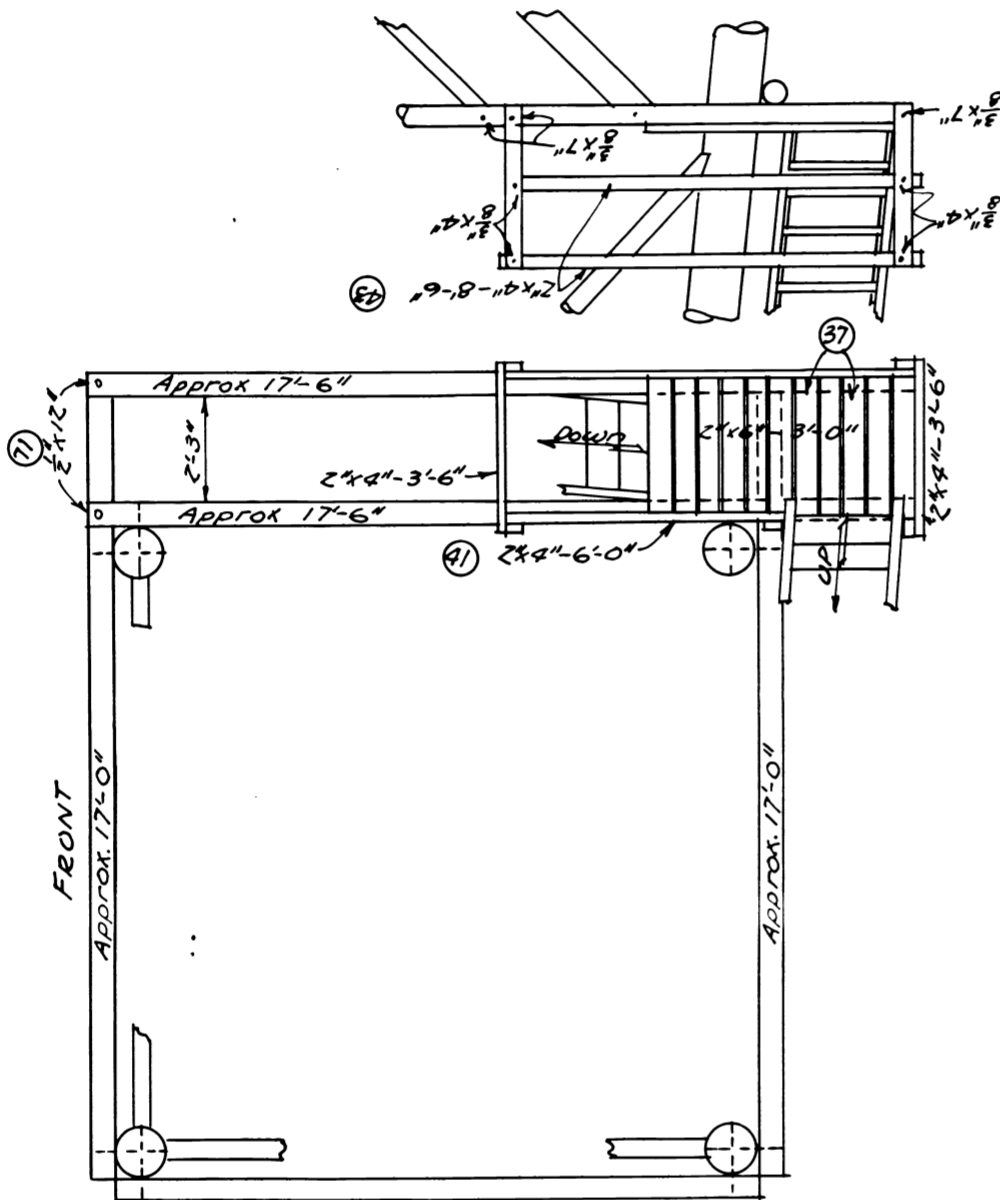


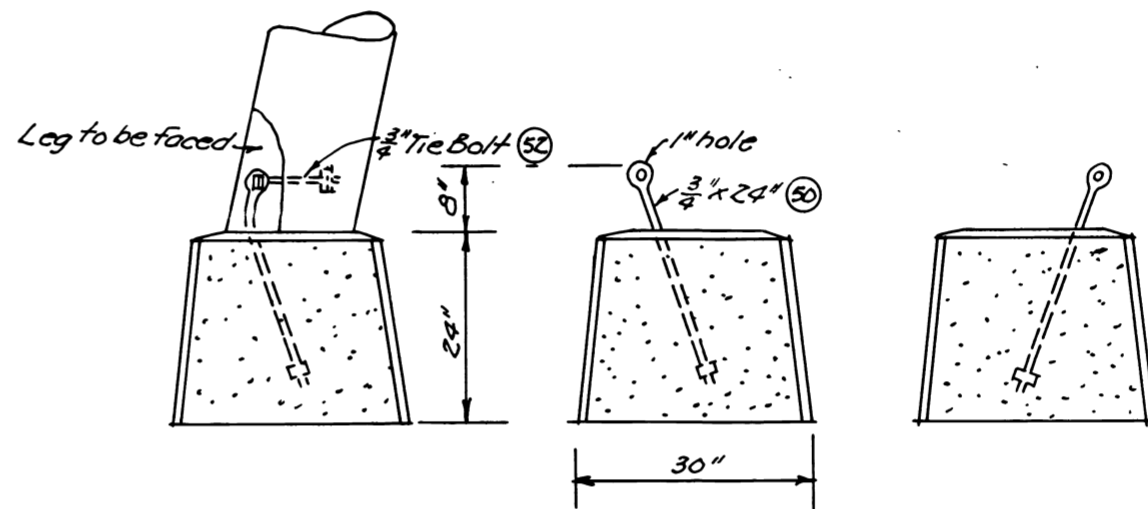
DIAGRAM FOR STAKING PIERS & ANCHORS



DETAIL SHOWING NOTCHING OF STAIR HORSE FOR LANDING

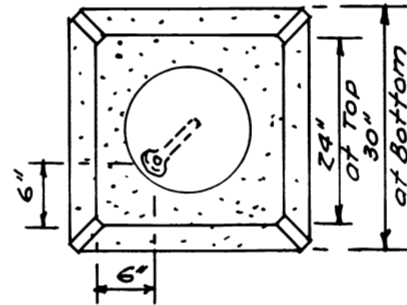


SECTION "B-B"

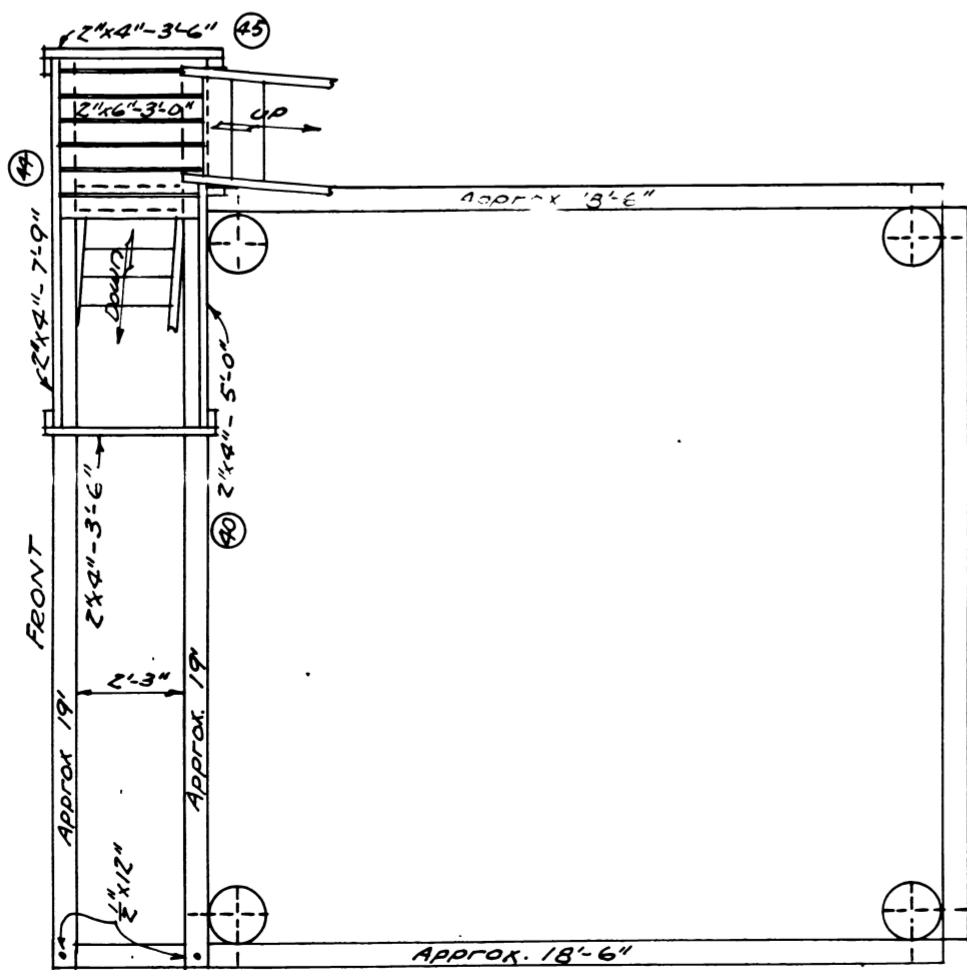


NOTE:

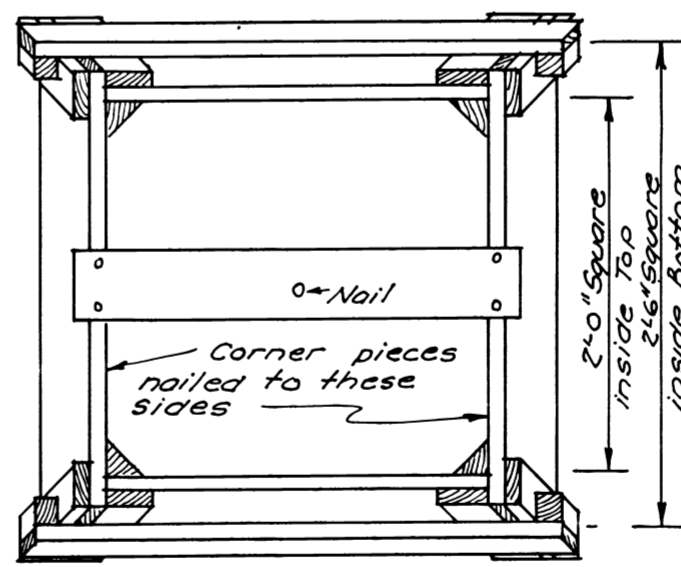
Anchor Bolt is set in concrete on a slant. After tower is erected bolt is bent to meet face of foot of leg. A hole is bored thru the leg and the bolt inserted and drawn up snug.



PIER DETAILS



SECTION "C-C"

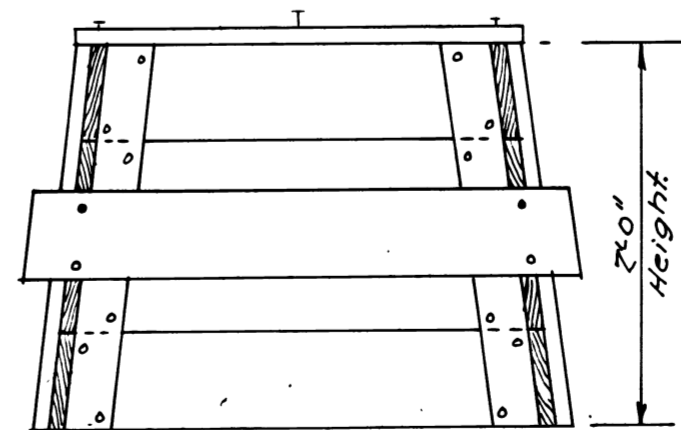


TOP

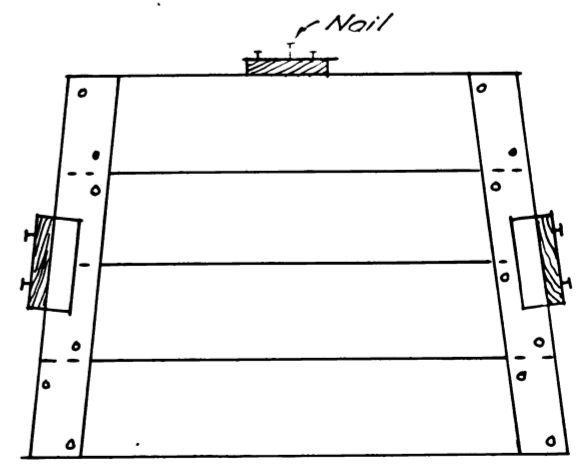
MATERIAL LIST FOR FORMS

8	pcs.	1x6	#2 com	S45 cut	2'-3" top	2'-5" Bottom
8	"	"	"	"	2'-5"	2'-7"
8	"	"	"	"	2'-7"	2'-9"
8	"	"	"	"	2'-9"	2'-11"
8	"	"	"	"	2'-11"	2'-1 1/2"
8	"	"	"	"	2'-1 1/2"	2'-3"
8	"	"	"	"	2'-3"	2'-4 1/2"
8	"	"	"	"	2'-4 1/2"	2'-6"
8	"	"	"	"	2'-6"	2'-11 1/2"
32	"	1x2	"	"	2'-0"	
16	"	2x2	"	"	6"	
16	"	2x2	"	Diagonal strip	2'-0"	

(Pier forms to be furnished on special requisition only.)



FRONT



SIDE

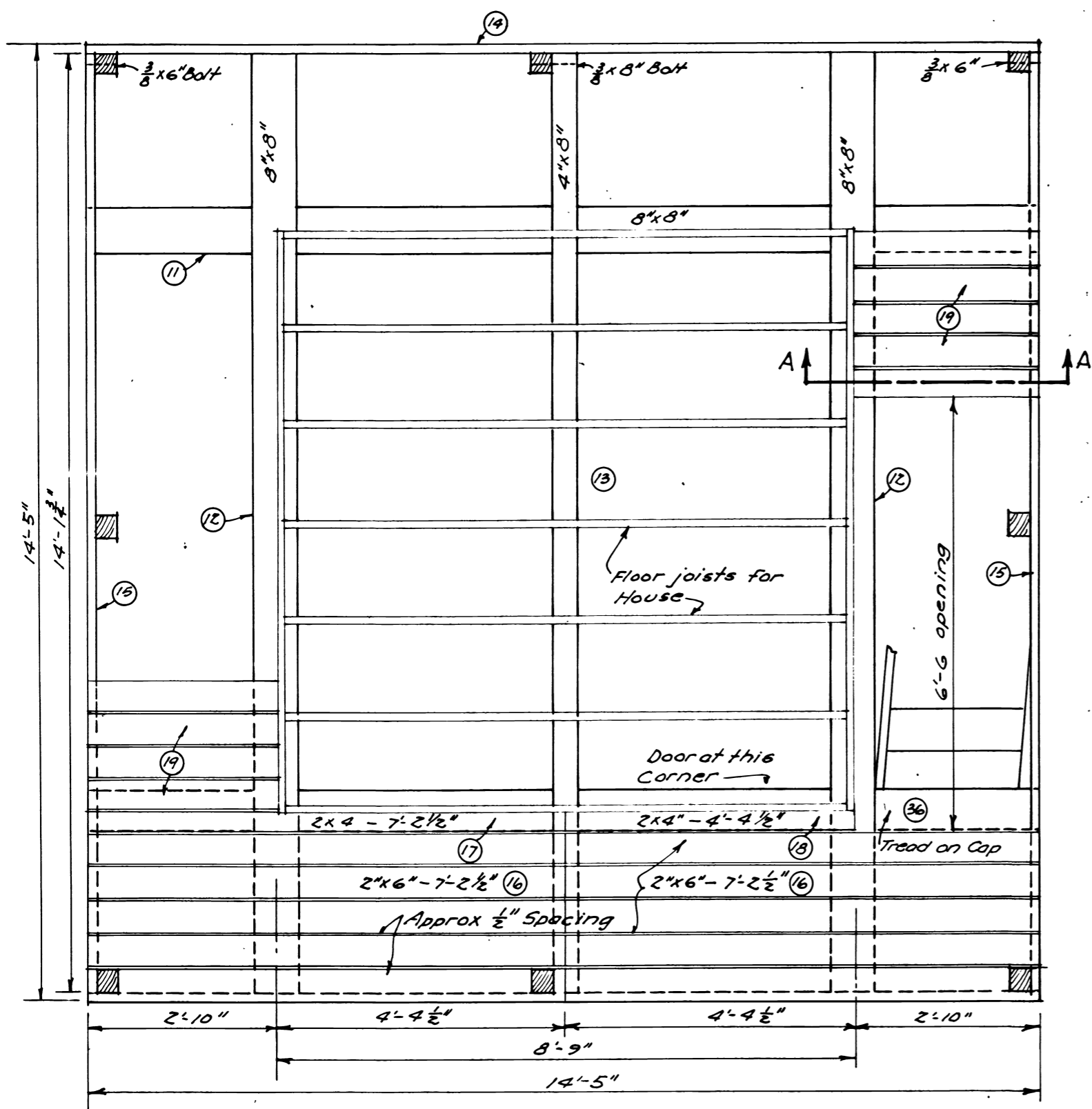
PIER FORMS

LOOKOUT TOWER
WITH CUPALO
FOR USE WITH PLAN L-6
PLAN L-1

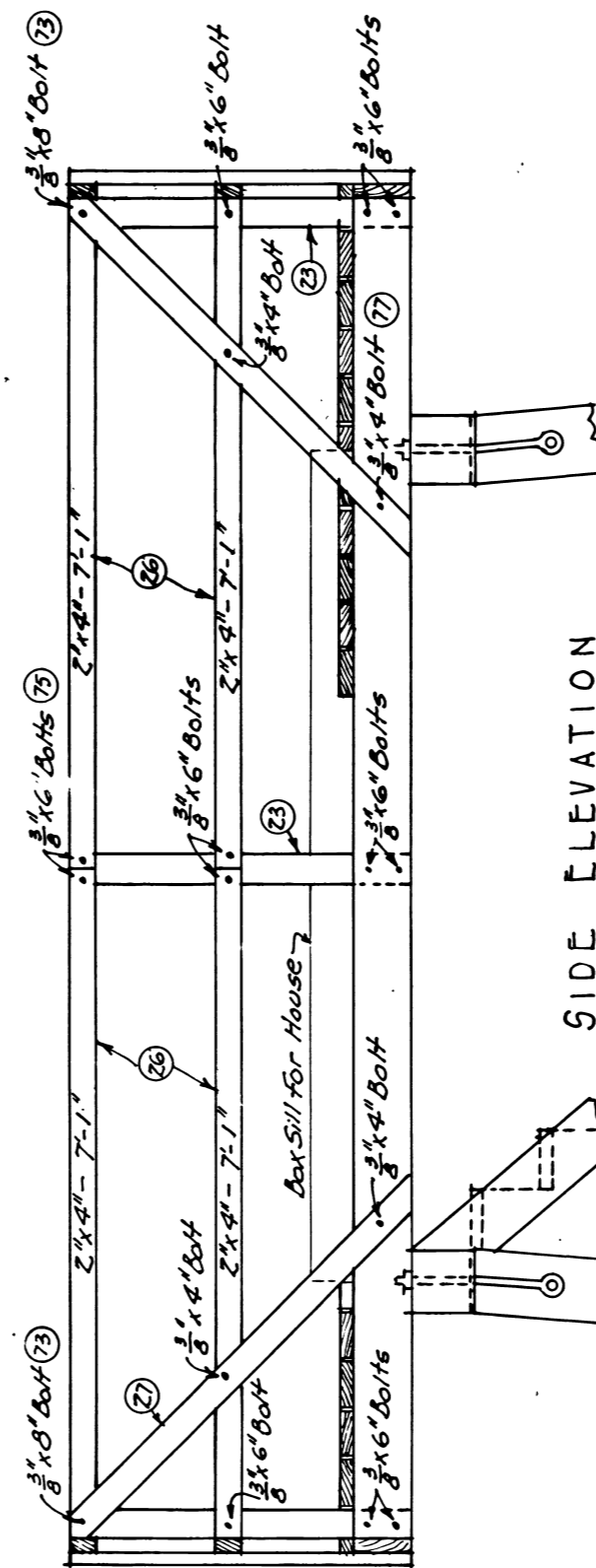
Old Plan T-1
changed 8/1/39

MAR. 1932

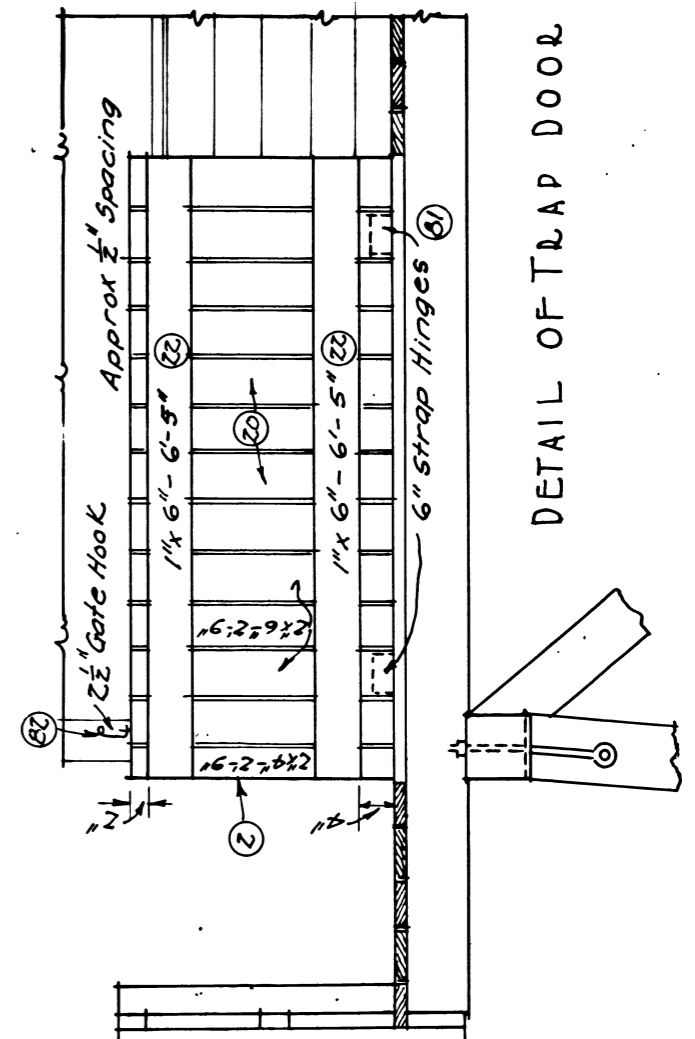
SHEET 2 OF 4



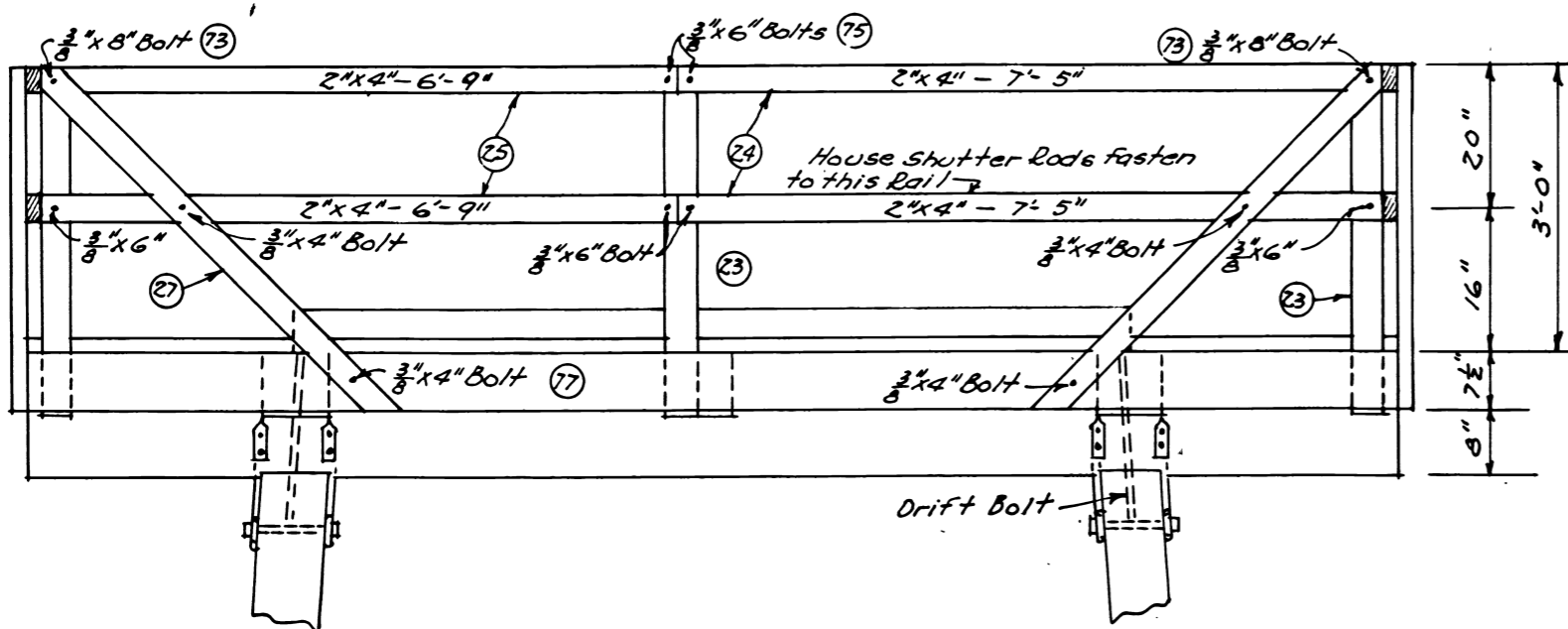
PLAN OF TOWER PLATFORM



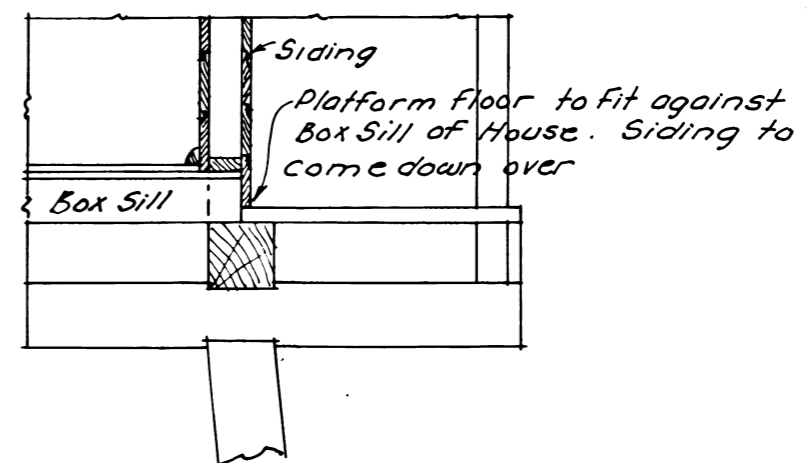
SIDE ELEVATION



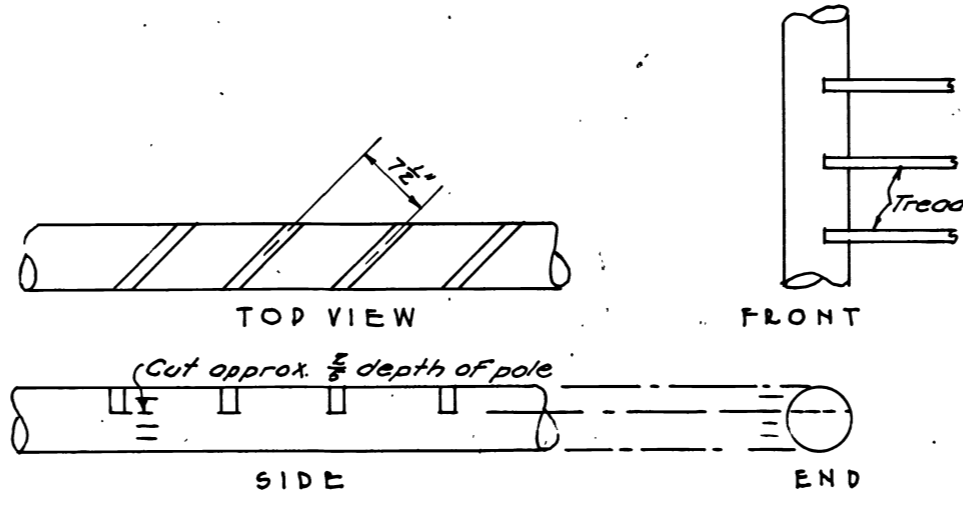
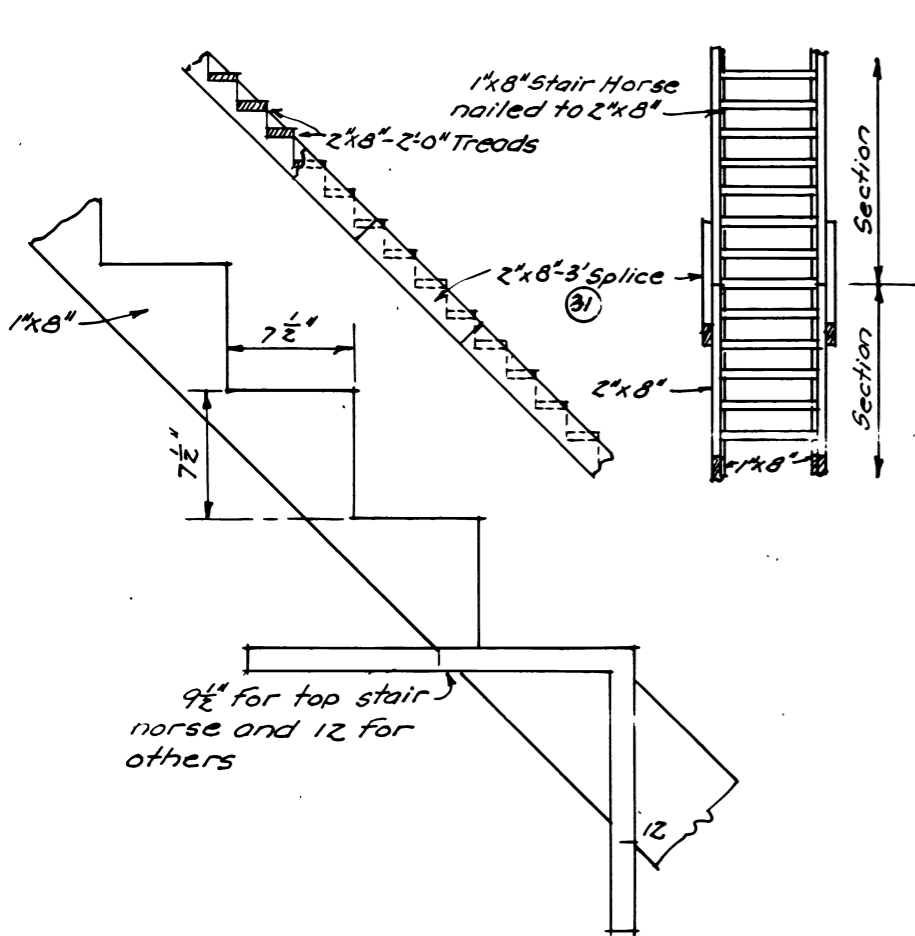
DETAIL OF TRAP DOOR



FRONT ELEVATION

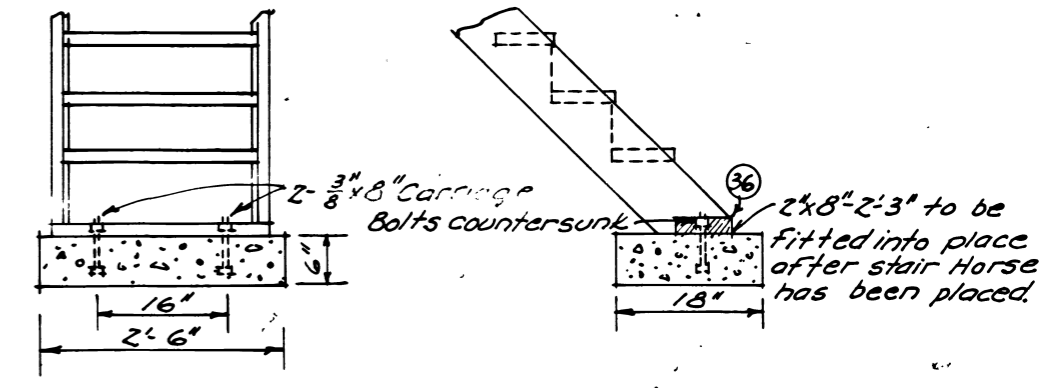


SECTION 'A-A' SHOWING PLATFORM FLOORING



This method of making Stair Horses may be used. Poles approx. 1" in dia. are used. The cuts for treads are sawed approx. 3/8 depth of pole by using an improvised miter box. The 1/8" chip is chiseled out and tread spiked into cut.

POLE STAIR HORSE



DETAIL OF FOOTING FOR STAIR HORSE

STAIR DETAILS

Old Plan T-1
Changed 8/1/39

LOOKOUT TOWER
WITH CUPALO
FOR USE WITH PLAN L-6
PLAN L-1
MAR. 1932 SHEET 3 OF 4

SP-07-01-91

R1-L1-3-1932