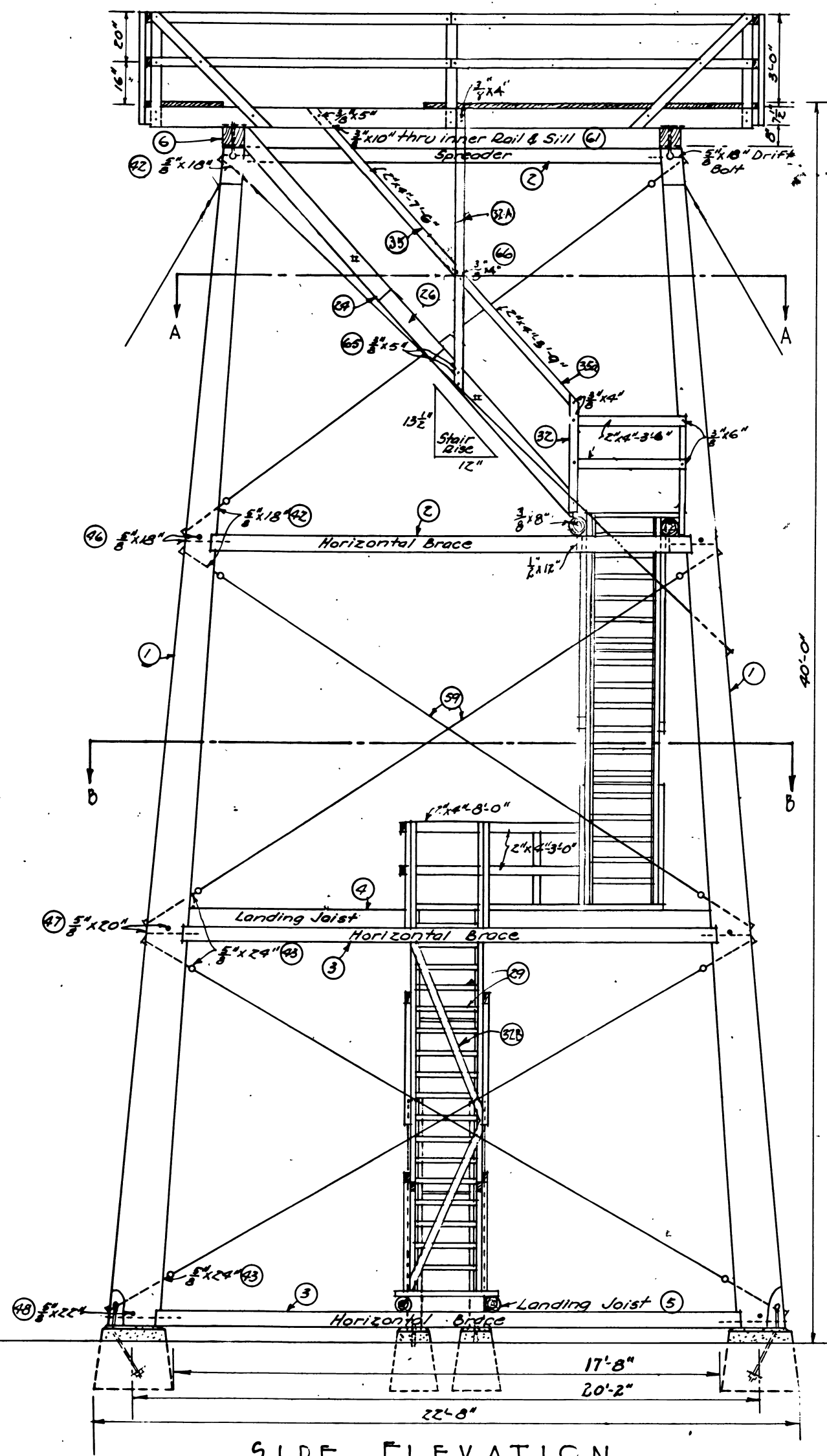
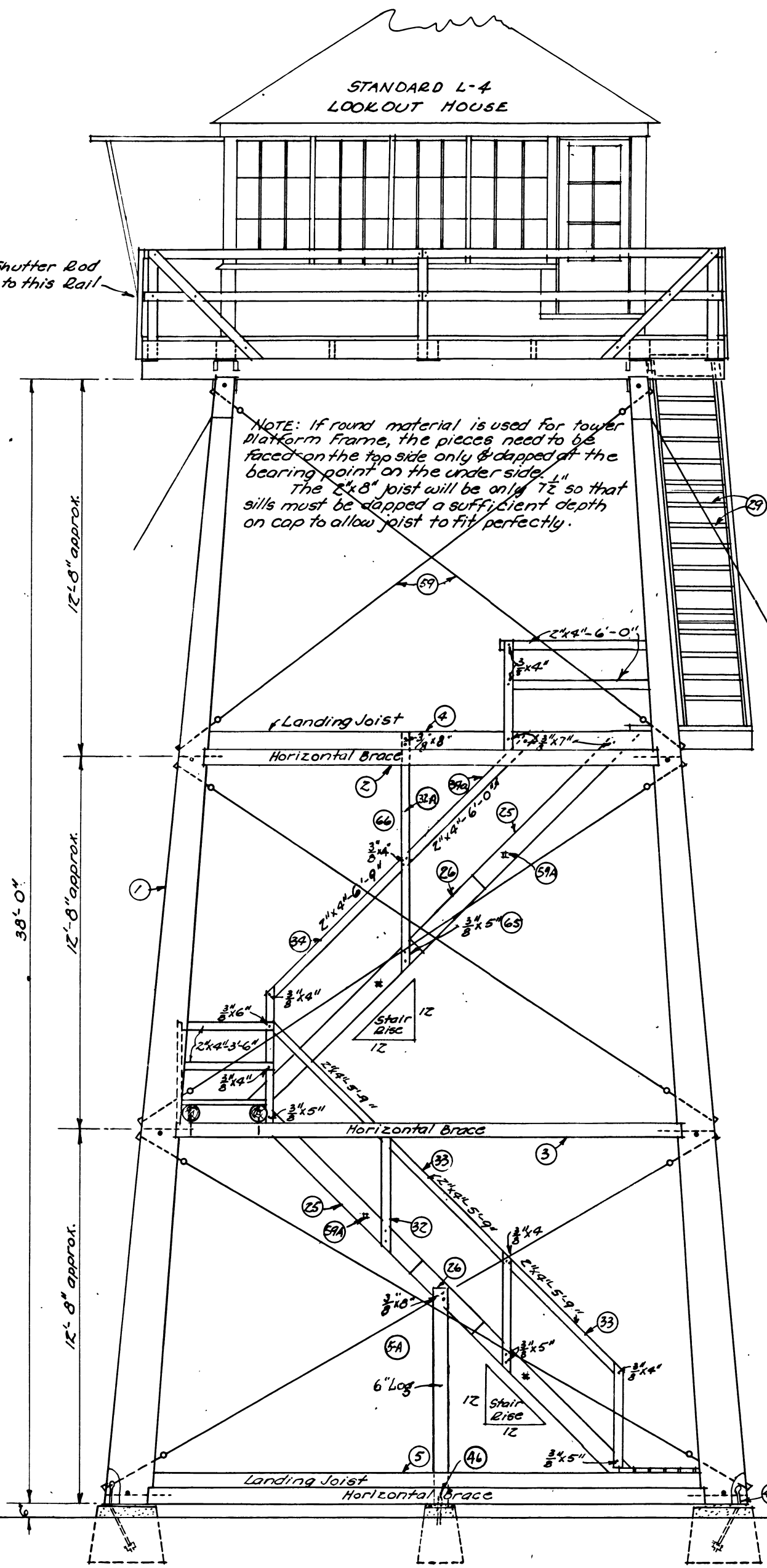


NOTES:
 All logs and poles to be peeled. All bolt holes and contact surfaces to be treated with creosote before assembly. Tower House and Platform to be painted. Bolts to be purchased standard, threads on all long bolts to be run down approx. 4" before pouring concrete piers determine the dia. of base of leg to be used. Then slope top of pier 2" from outer edge of leg to permit drainage and prevent moisture collecting under leg.

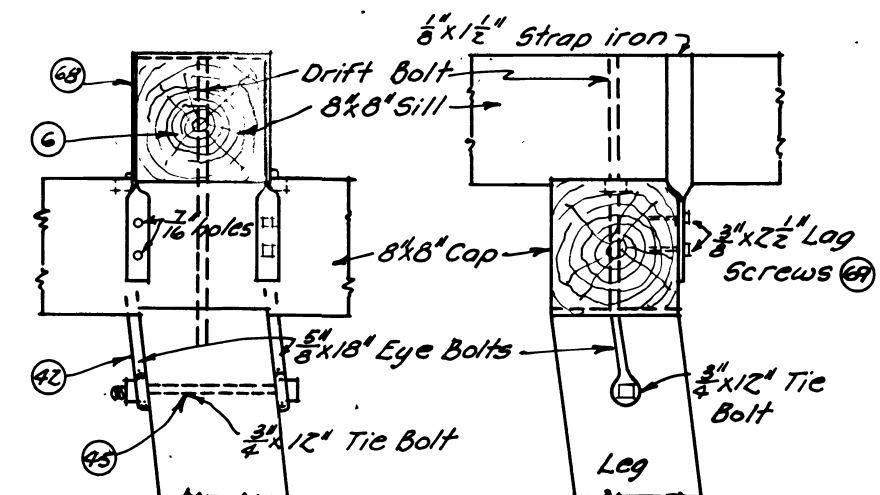
STANDARD L-4
 LOOKOUT HOUSE



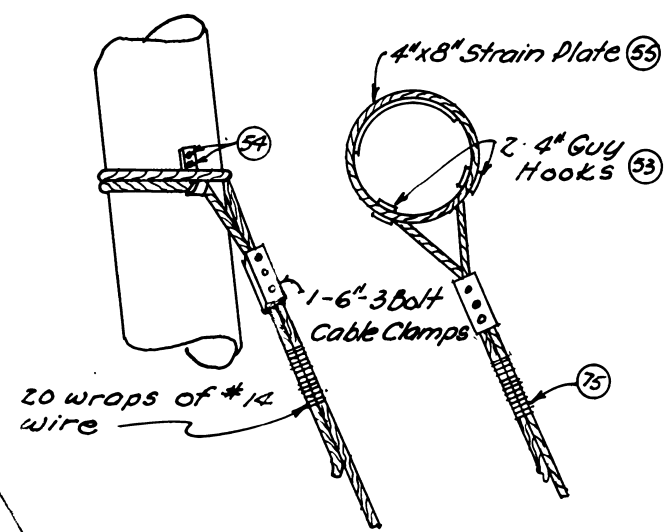
SIDE ELEVATION



FRONT ELEVATION



DETAIL OF LEG TOPS



GUY CONNECTIONS

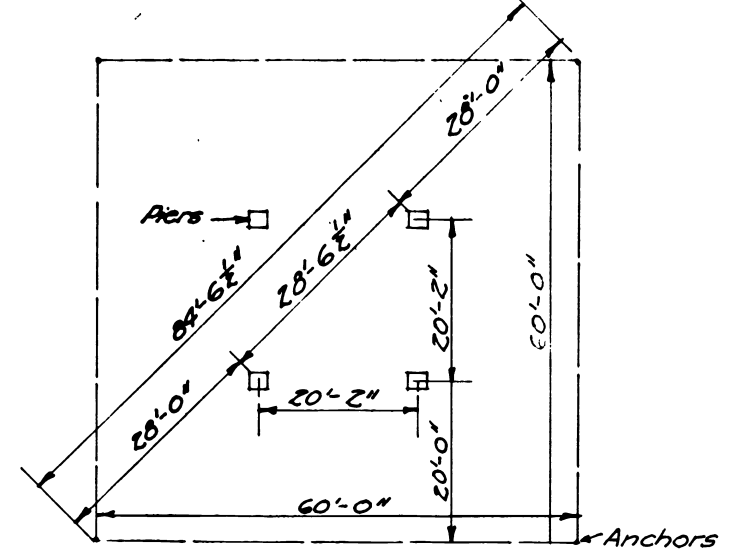
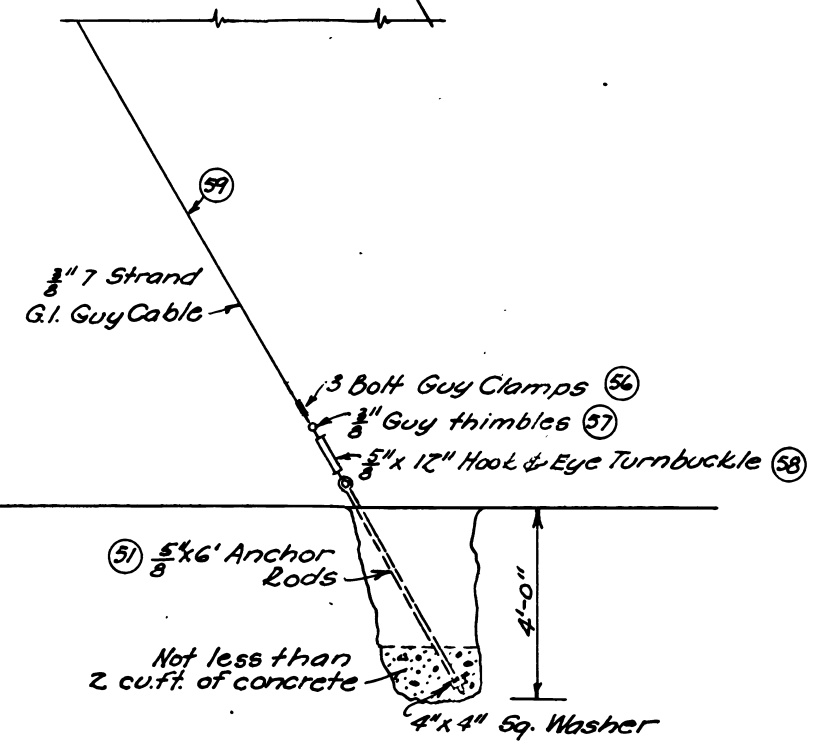
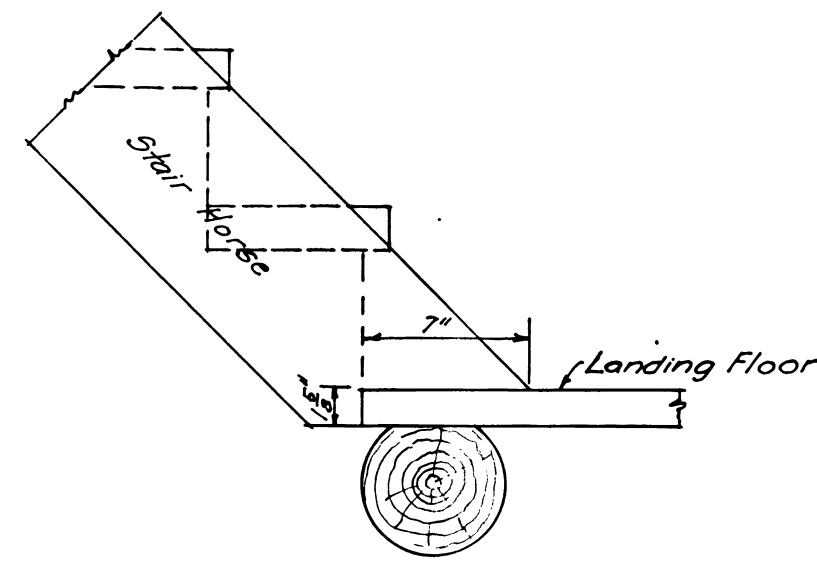
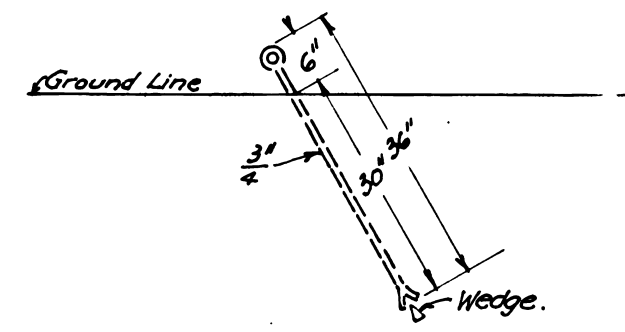


DIAGRAM FOR STAKING PIERS & ANCHORS



NOTCHING OF STAIR HORSE FOR LANDING



ROCK ANCHOR

Where solid rock is encountered split Anchor Rods will be put 2'-6" deep in holes drilled into solid rock and swaged. The hole then poured full of very thin pure cement.

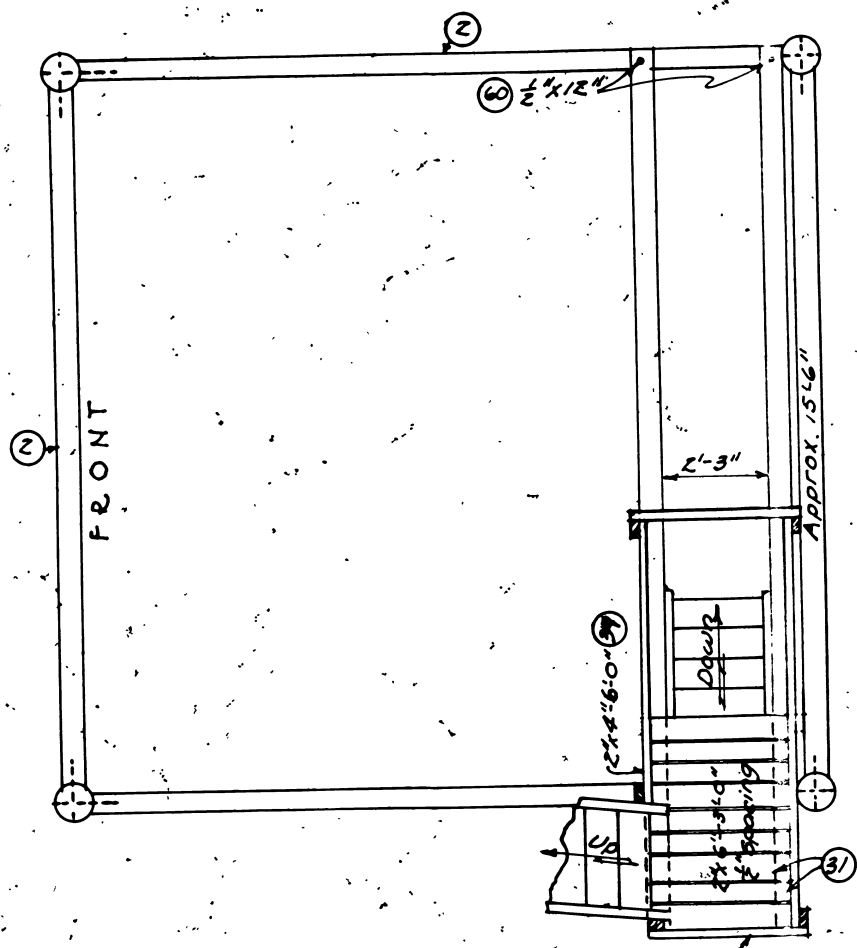
Old Plan J-40
 Changed 8/1/39
 Drawn by H. W. Coughlan
 SP-07-08-01

NOTE: Numbers in circles refer to item numbers on material list.

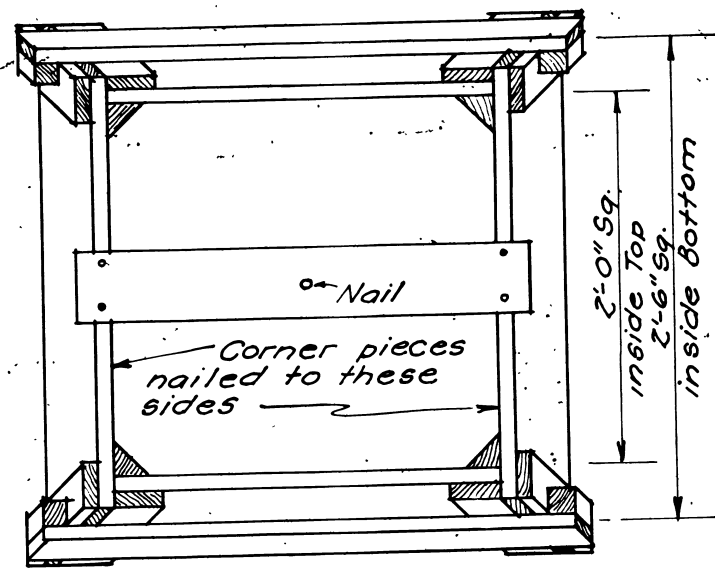
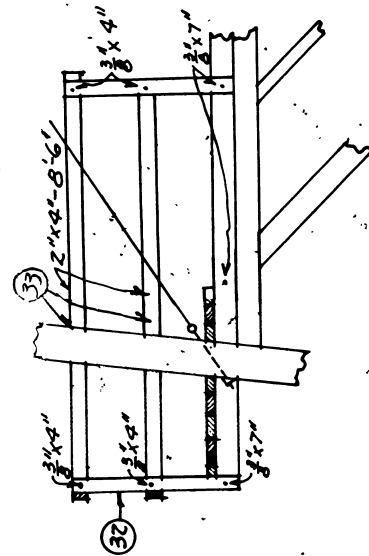
U. S. DEPT. OF AGRICULTURE
 FOREST SERVICE REGION NO. 1
LOOKOUT TOWER
WITH LIVING QUARTERS
 FOR USE WITH PLAN L-4
PLAN L-10
 DESIGNED BY C. P. FICKES & J. B. HALM
 APPROVED BY *Frank Jefferson*
 Acting Assistant Regional Forester
 FEB. 1932 SHEET 1 OF 3

R1-L10-1-1932

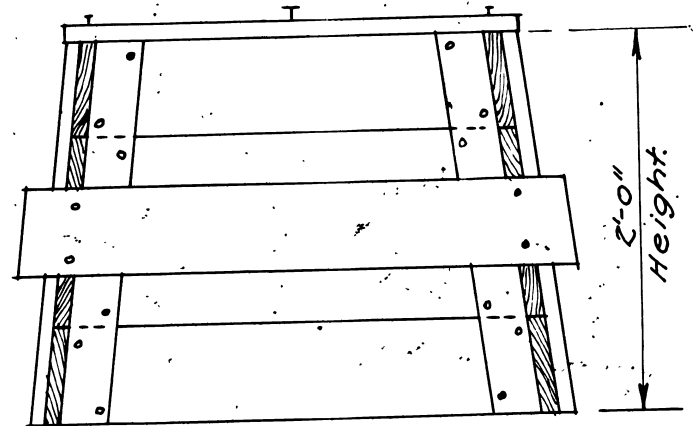
SP-07-08-01



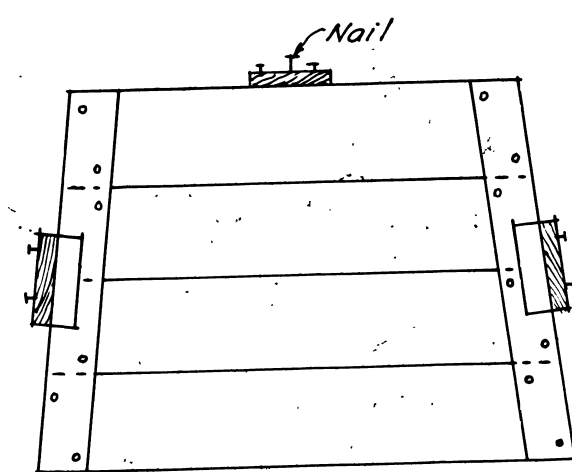
SECTION A-A



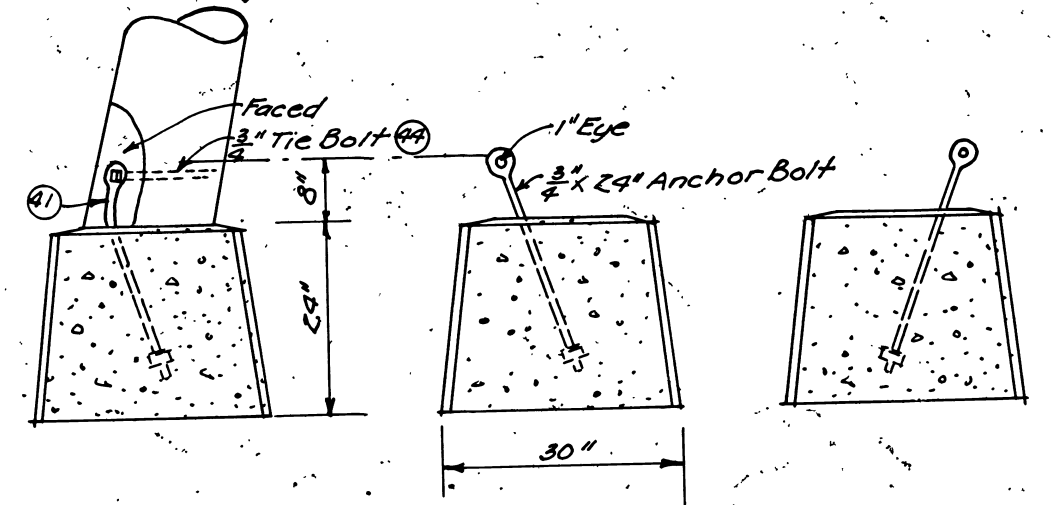
TOP



FRONT



SIDE



PIER DETAILS

Note:
Anchor bolt is set in concrete on a slant. After tower is erected bolt is bent to meet face at foot of leg. A hole is bored thru the leg and the bolt inserted and drawn up snug.

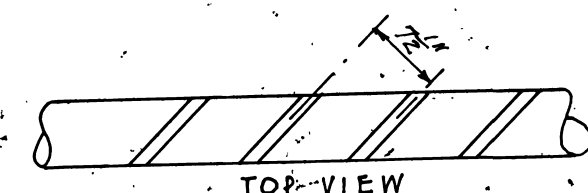
(Pier forms to be furnished on special requisition only.)

DETAIL OF PIER FORMS

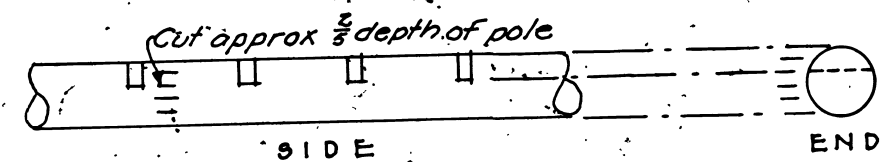
SCALE 1"=1'-0"

MATERIAL LIST FOR FORMS

QTY	PCS.	SIZE	DESCRIPTION
8	1x6	#2 com.	5x5 Cut 2'-3" top - 2'-5" Bottom
8	"	"	2'-5" " 2'-7" "
8	"	"	2'-7" " 2'-9" "
8	"	"	2'-9" " 2'-11" "
8	"	"	2'-11" " 2'-1" "
8	"	"	2'-1" " 2'-3" "
8	"	"	2'-3" " 2'-4" "
8	"	"	2'-4" " 2'-6" "
8	"	"	2'-6" " 2'-11" "
32	1x2	"	2'-10" "
16	2x2	"	6" "
16	2x2	"	Diagonal Strip



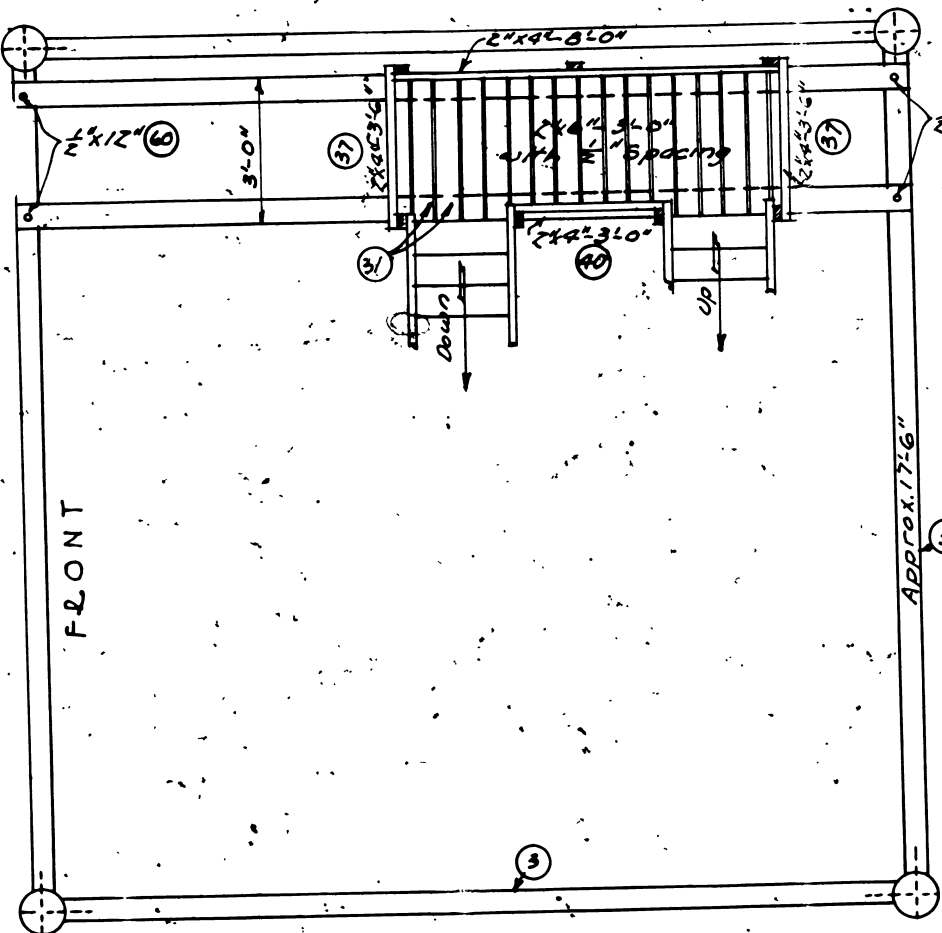
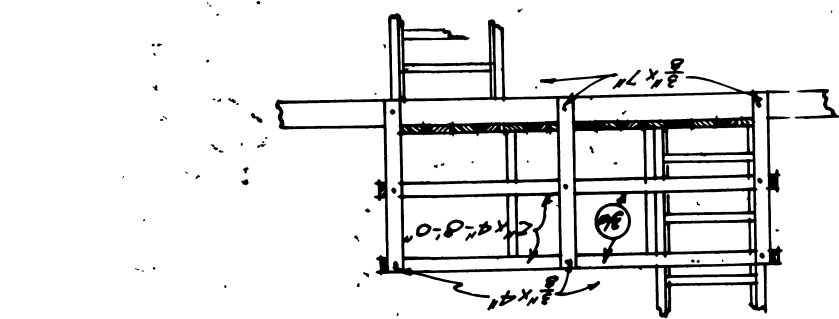
TOP-VIEW



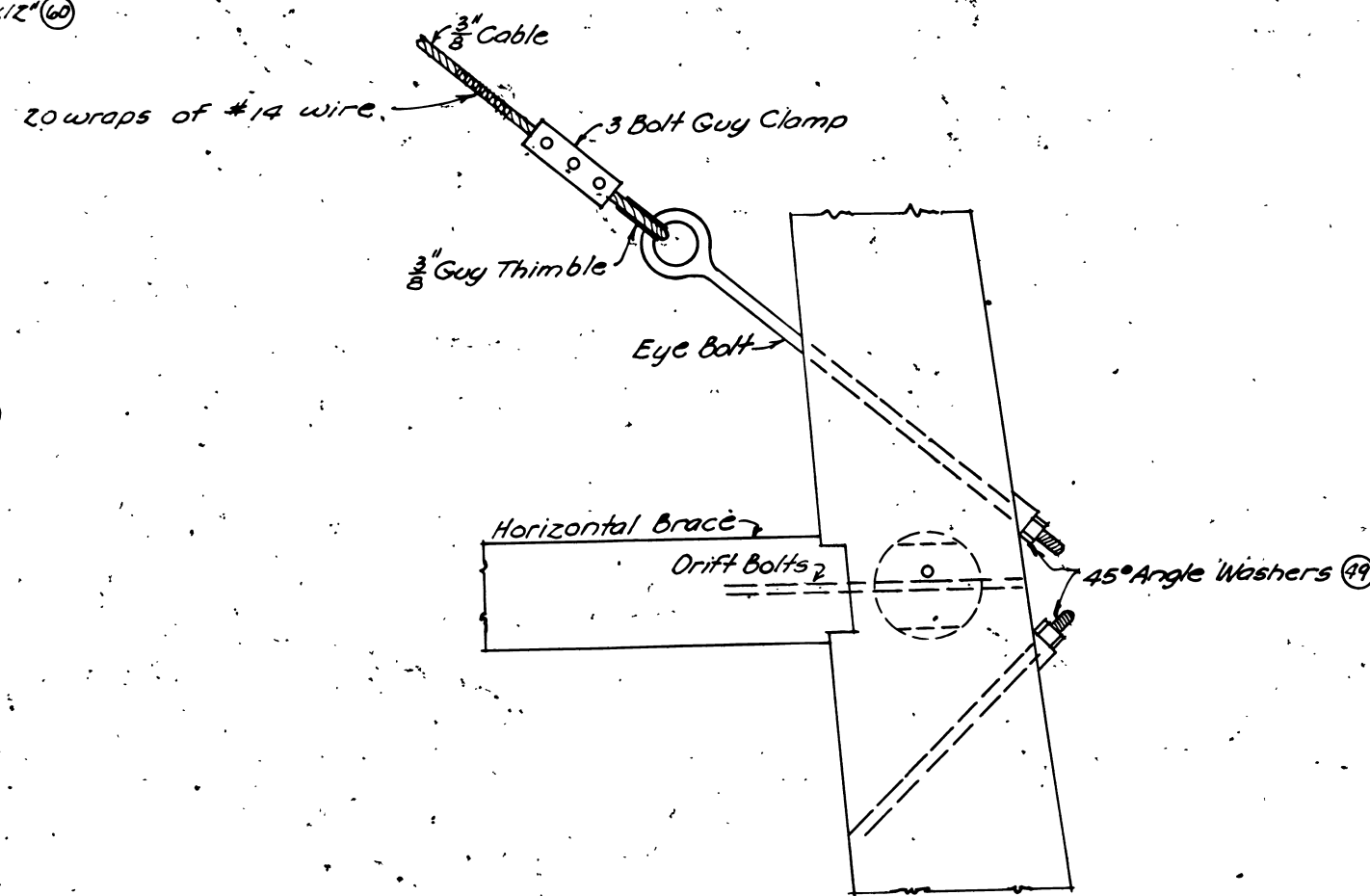
SIDE

END

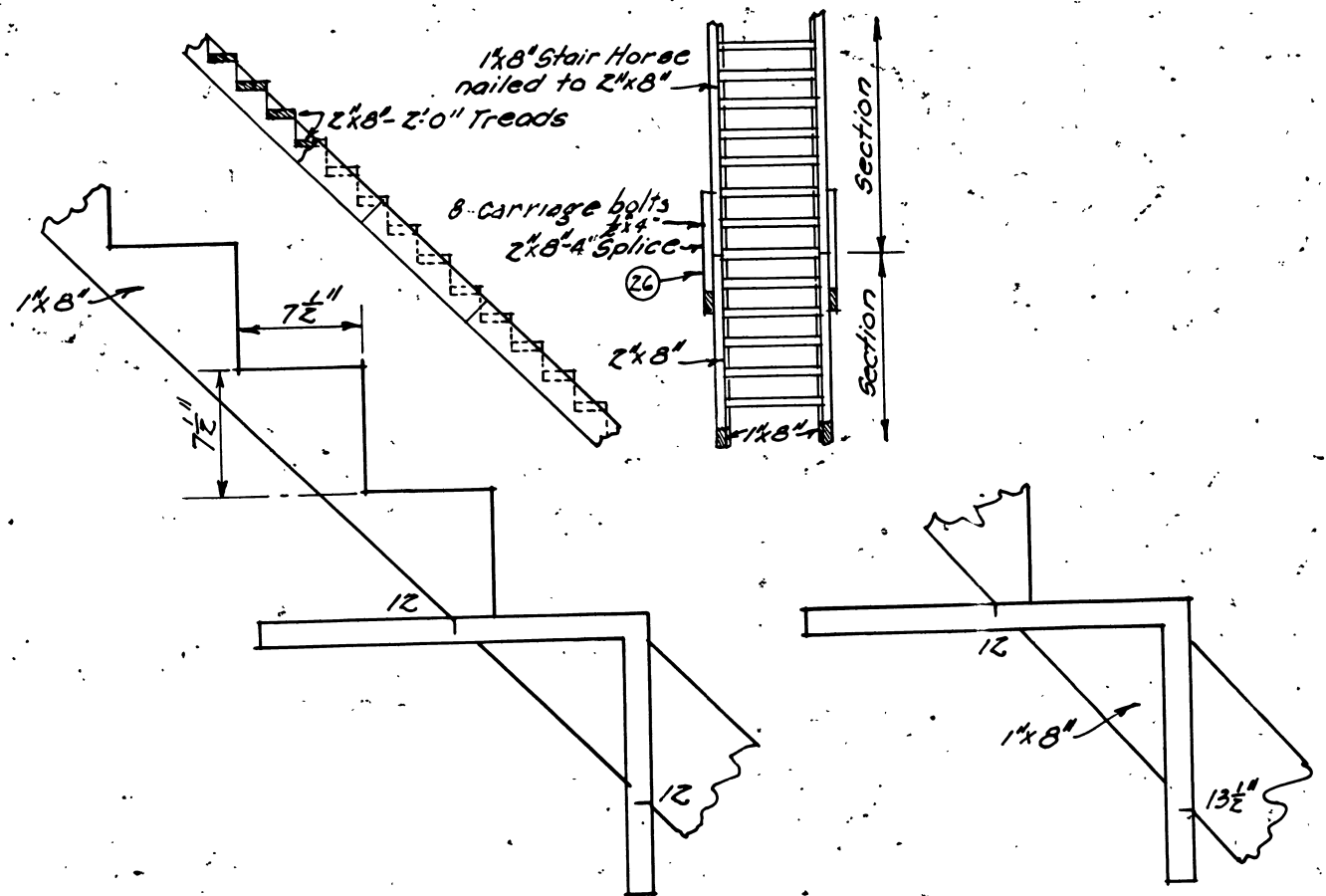
This method of making stair horses may be used. Poles approx. 7" in dia. are used. The cuts for treads are sawed approx. 2/3 the depth of the pole by using an improvised miter box. The 1/3 chip is chiseled out and the tread spiked into cut.



SECTION B-B



TOWER LEG BRACES



STAIR DETAIL

Old Plan T-40
changed 8/1/39

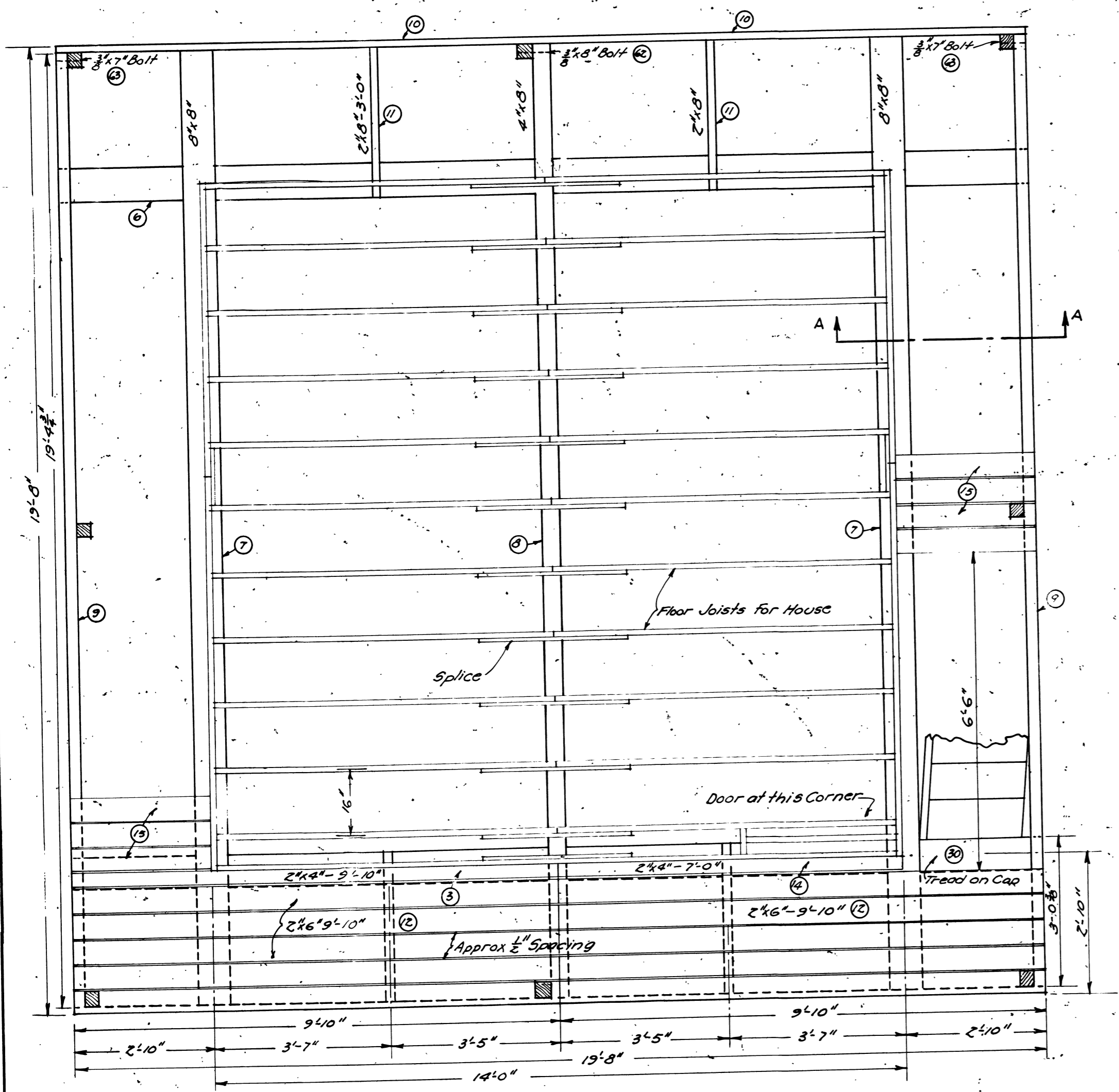
FEB. 1932

SHEET 2 OF 3

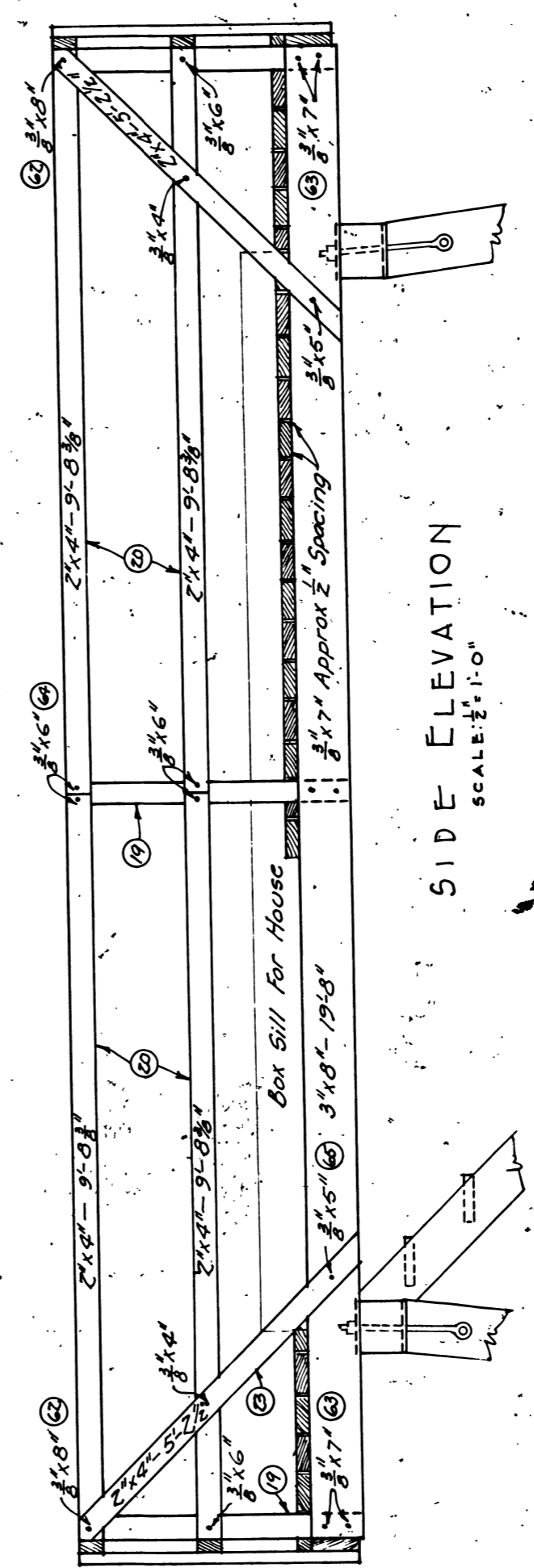
LOOKOUT TOWER
WITH LIVING QUARTERS
FOR USE WITH PLAN L-4
PLAN L-10

SP. 07-08-01

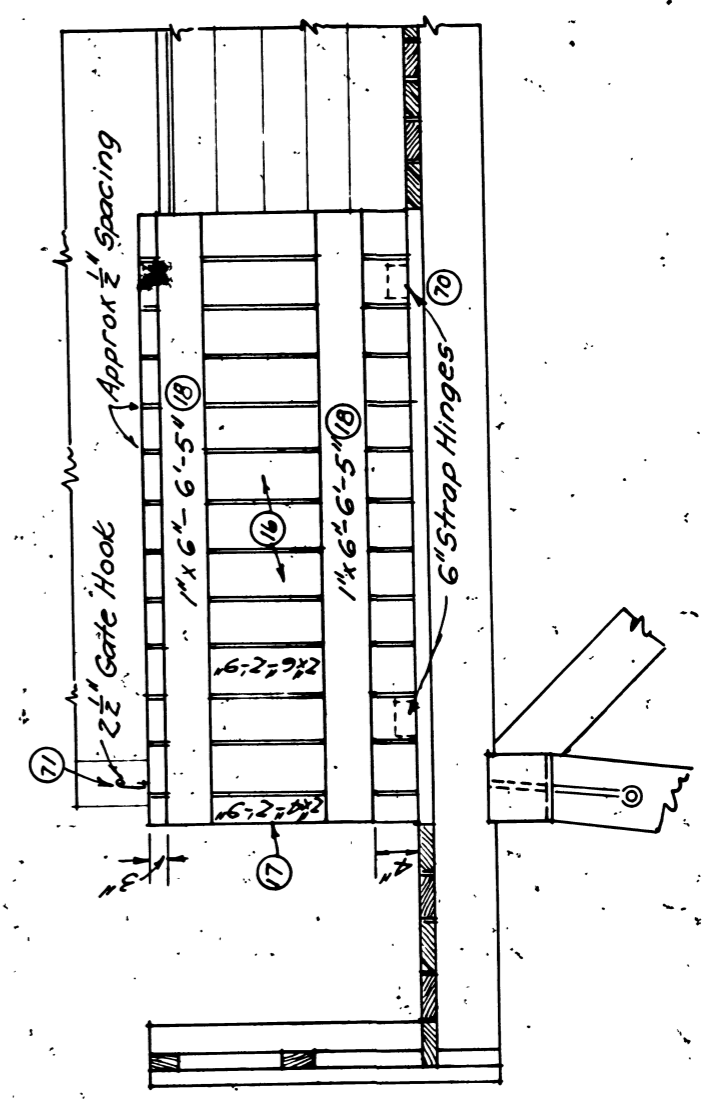
R1-L10-2-1932



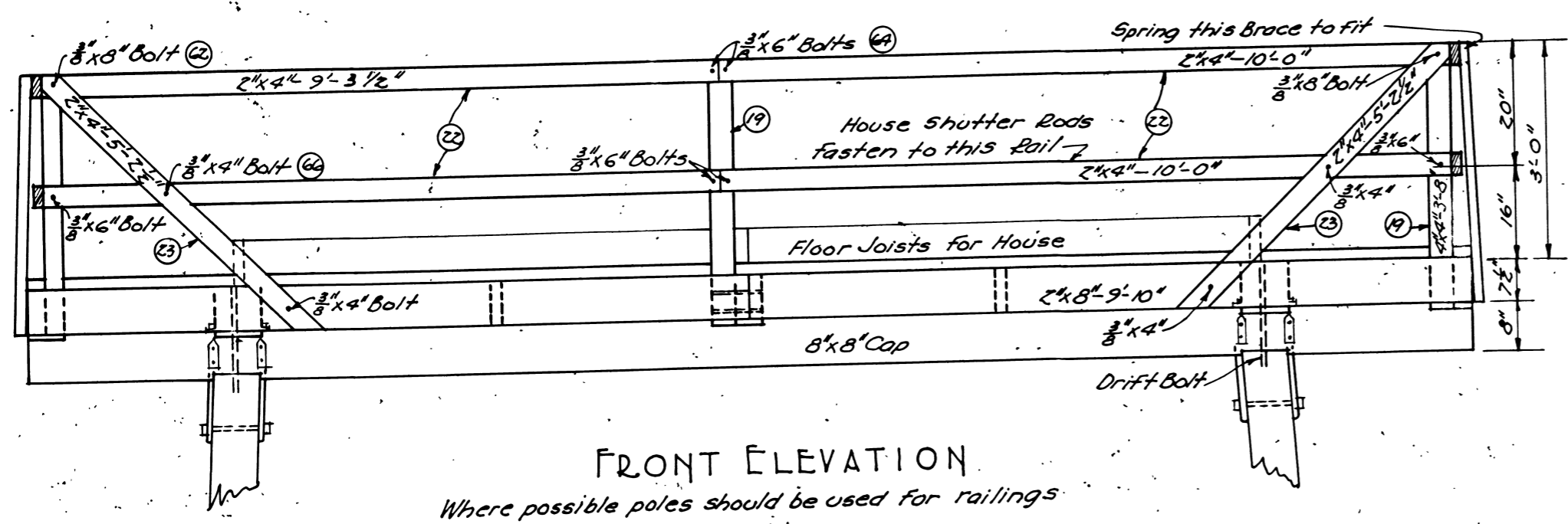
PLAN OF TOWER PLATFORM
SCALE: 1/2" = 1'-0"



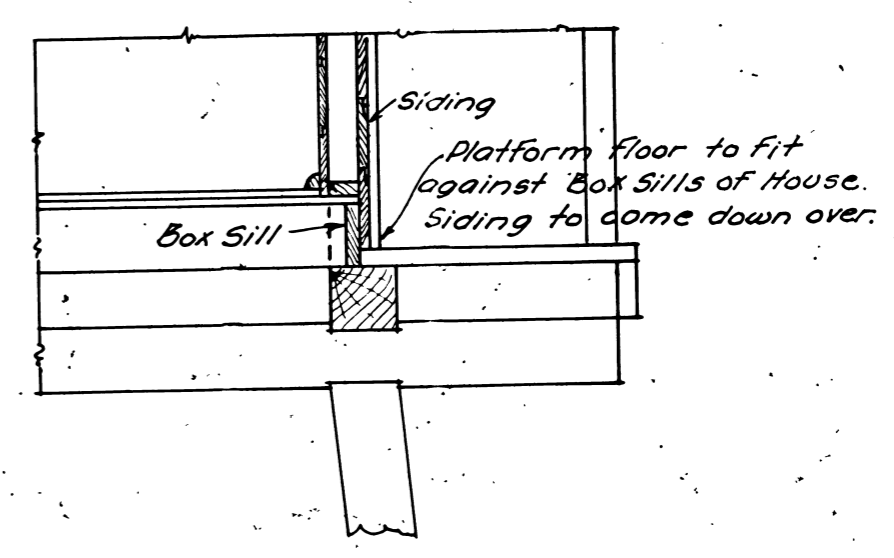
SIDE ELEVATION
SCALE: 1/2" = 1'-0"



DETAIL OF TRAP DOOR
SCALE: 1/2" = 1'-0"



FRONT ELEVATION
Where possible poles should be used for railings
SCALE: 1/2" = 1'-0"



SECTION A-A SHOWING
PLATFORM FLOOR
SCALE: 1/2" = 1'-0"

LOOKOUT TOWER
WITH LIVING QUARTERS
FOR USE WITH PLAN L-4
PLAN L-10
FEB. 1932
SHEET 3 OF 3

Old Plan T-40
Changed 8/1/39

SP-07-08-01

R1-L10-3-1932