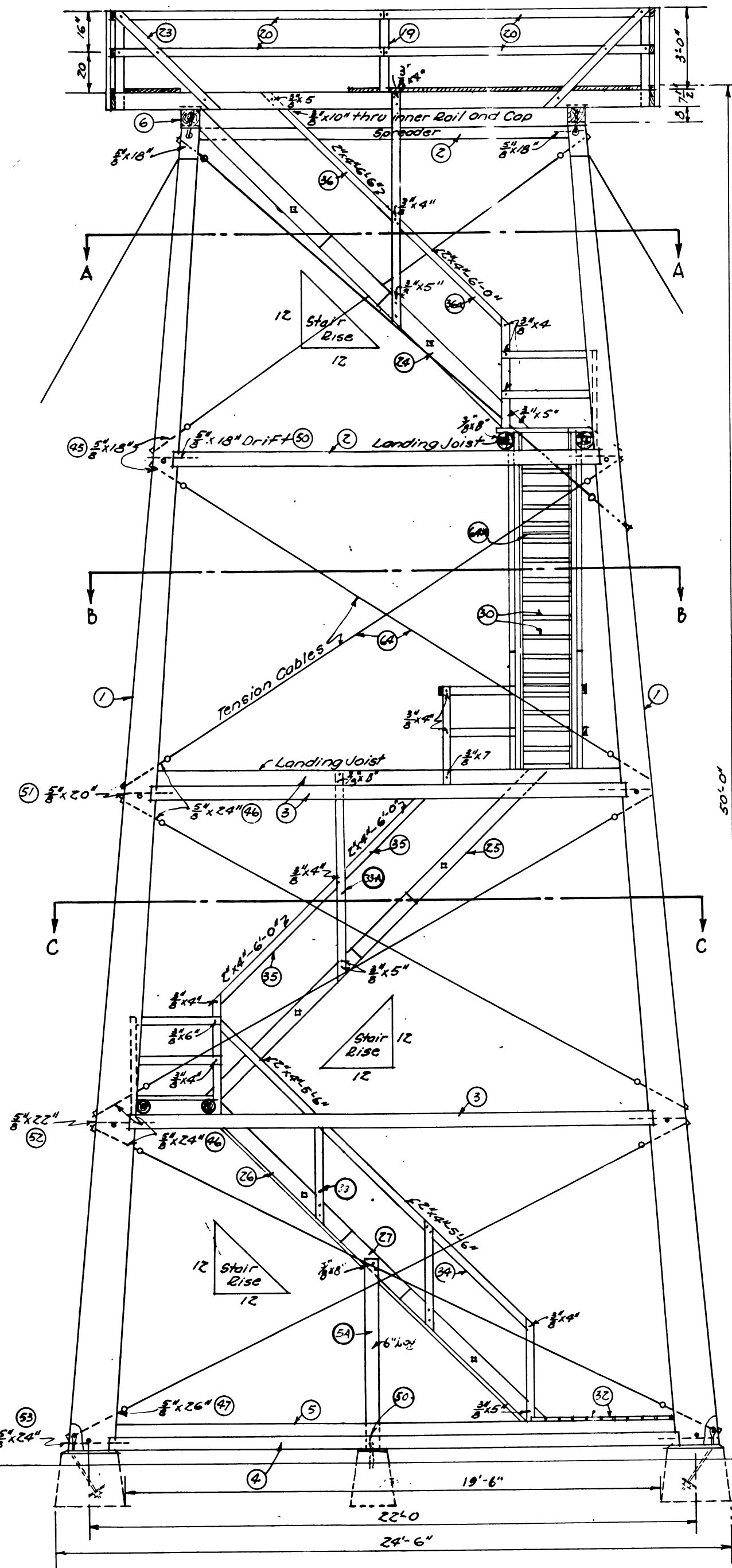
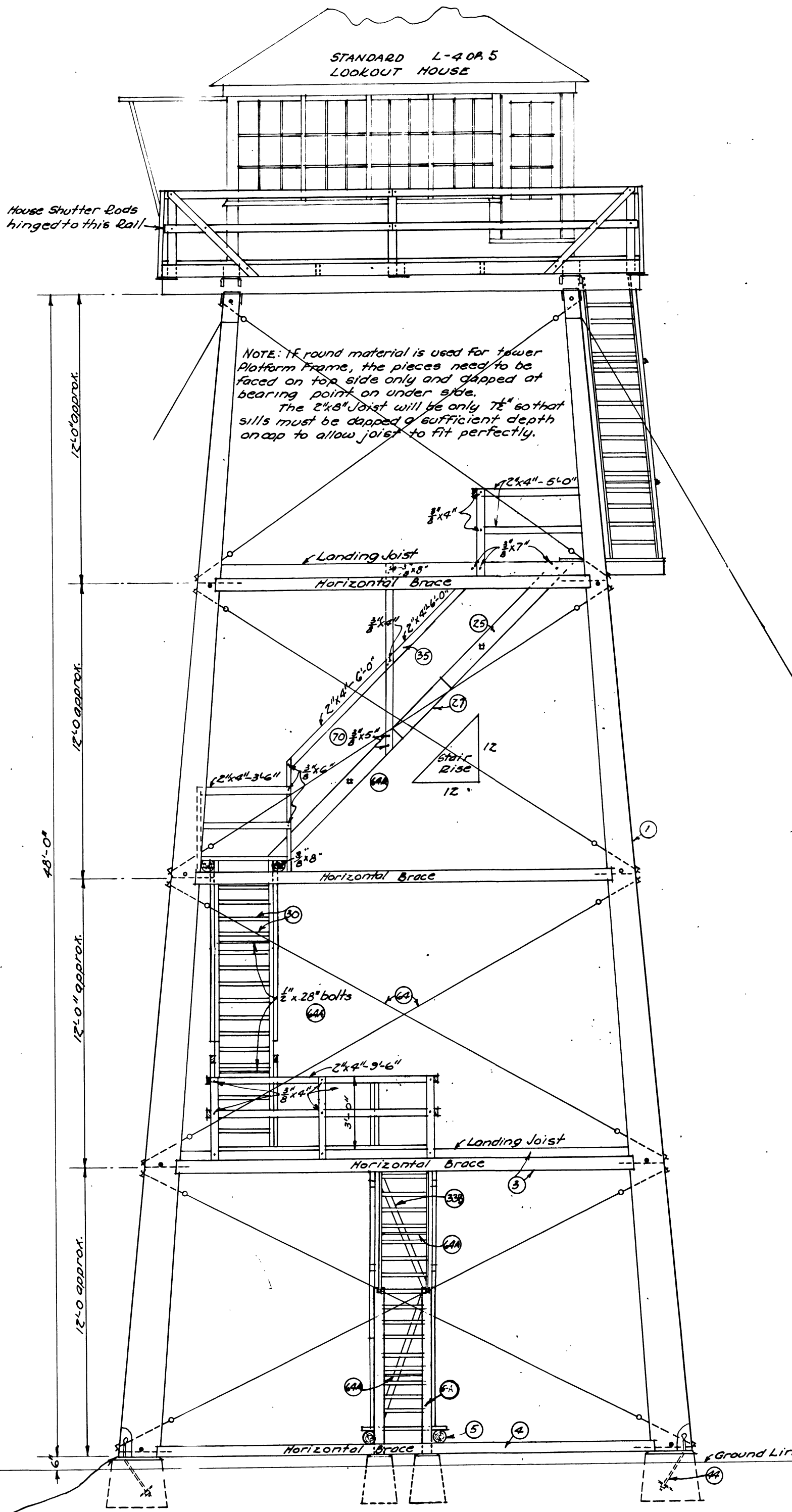


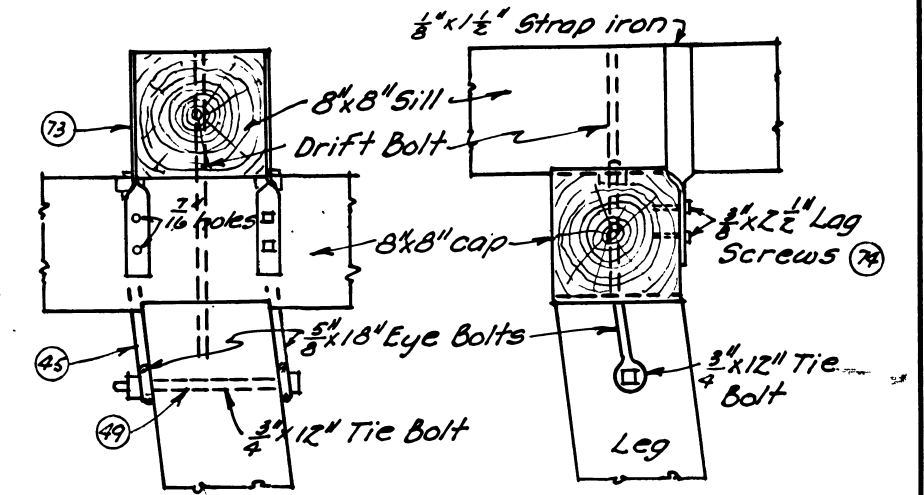
NOTES:-
 All logs and poles to be peeled. All bolt holes and contact surfaces to be treated with creosote before assembly. Tower House and Platform to be painted. Bolts to be purchased standard threads on all long bolts to be run down approx. 4".
 Before pouring concrete piers determine the dia. of base of leg to be used. Then slope top of pier 1/2" from outer edge of leg to permit drainage and prevent moisture collecting under leg.



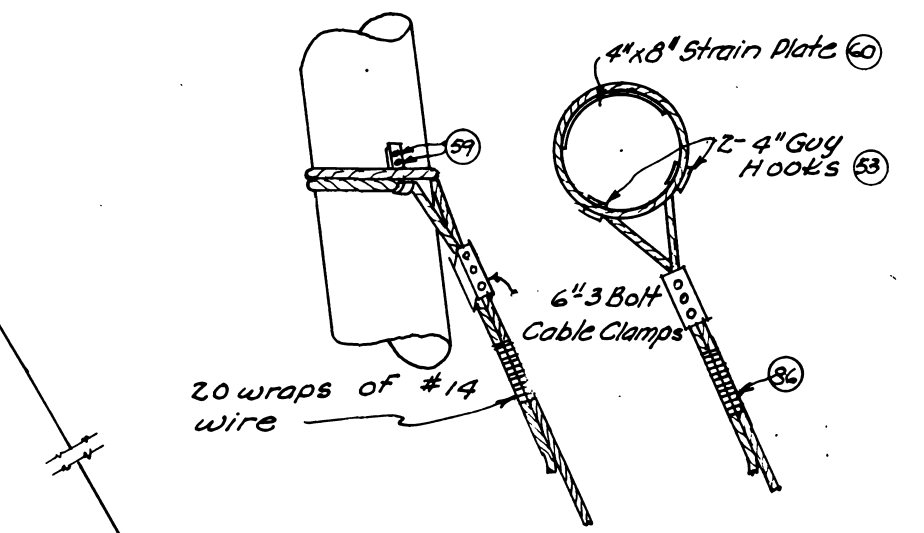
SIDE ELEVATION



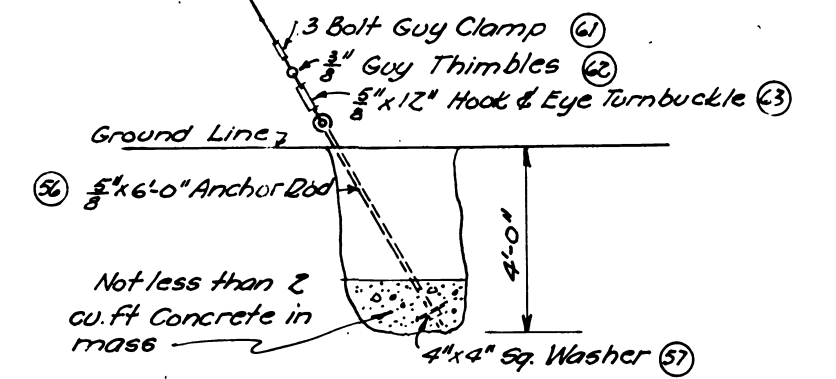
FRONT ELEVATION



DETAIL OF LEG TOPS



GUY CONNECTIONS



ROCK ANCHOR

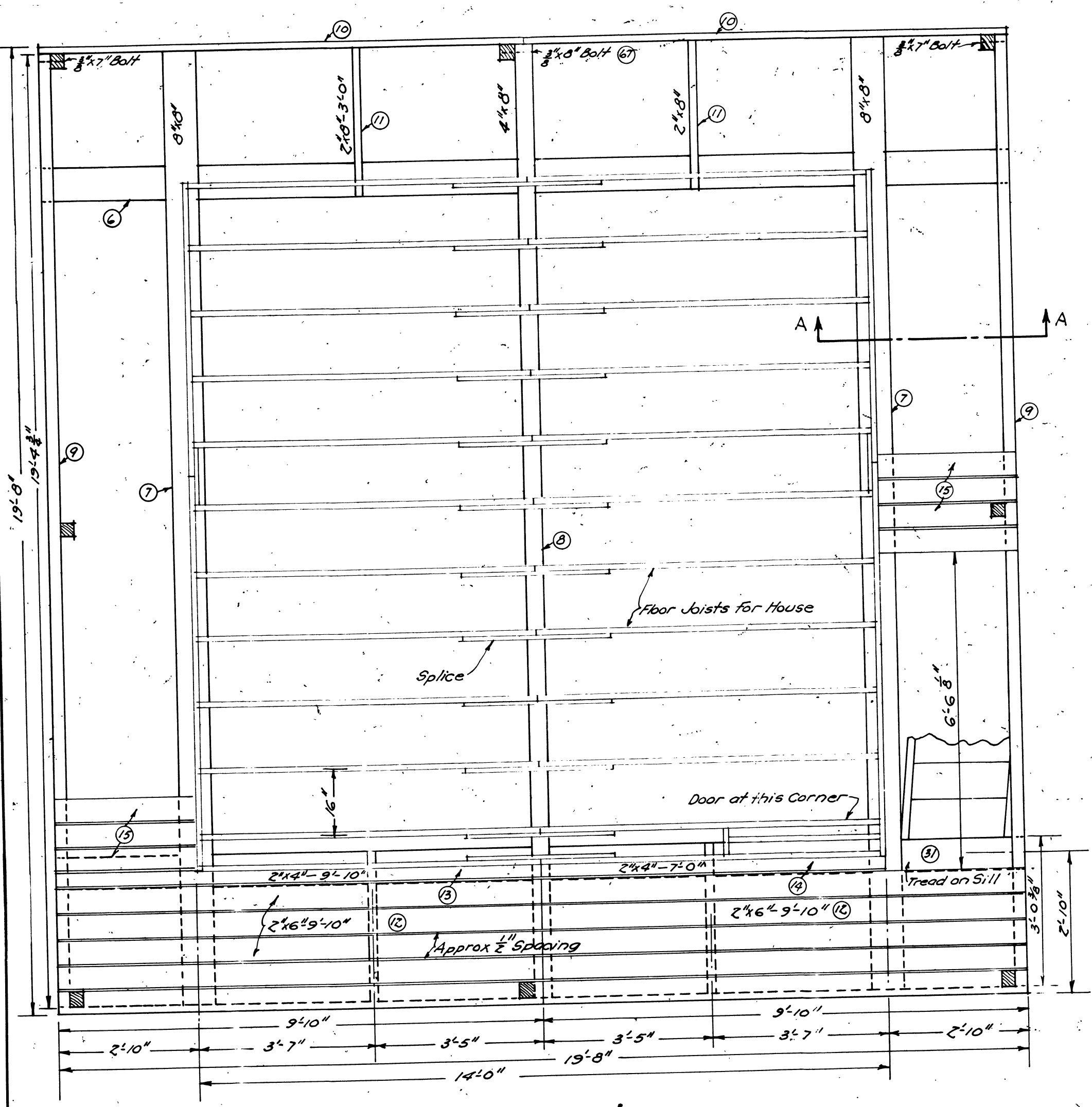
Before running Concrete piers determine the diameter of base of Leg to be used. Then slope top of pier 1/2" from outer edge of Leg to permit drainage and prevent moisture collecting beneath Leg.

U.S. DEPT. OF AGRICULTURE
 FOREST SERVICE REGION NO. 1
**LOOKOUT TOWER
 WITH LIVING QUARTERS**
 FOR USE WITH PLAN L-4
PLAN L-11.
 DESIGNED BY C.P. FICKES & J.B. HALM
 APPROVED BY *[Signature]*
 Acting Assistant Regional Forester
 Old Plan T-50
 changed 8/1/1932
 Drawn By H.W. Coughlan
 FEB. 1932
 SHEET 1 OF 3

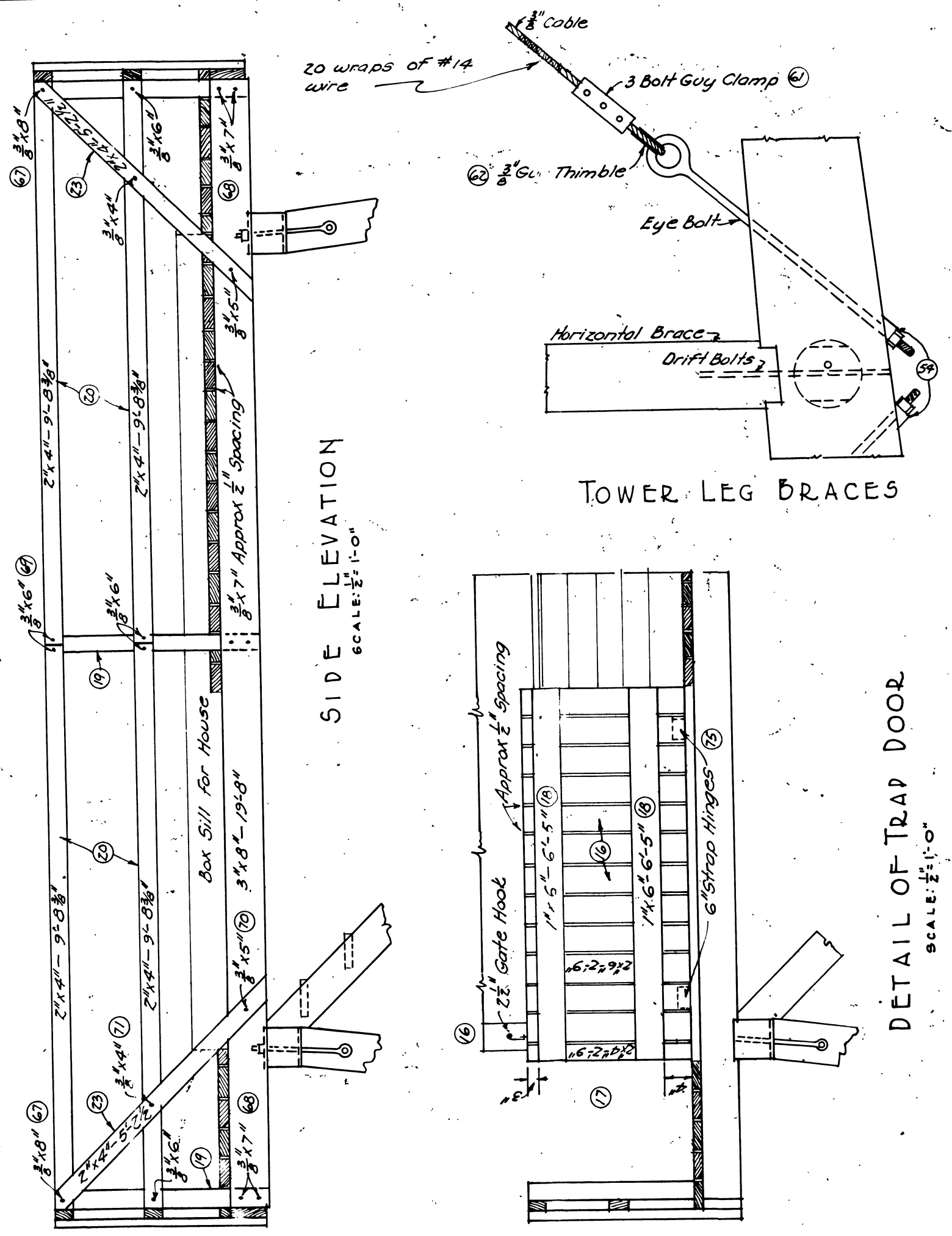
RL L11-1 1932

SP-07-09-01

SP-07-07-01-01

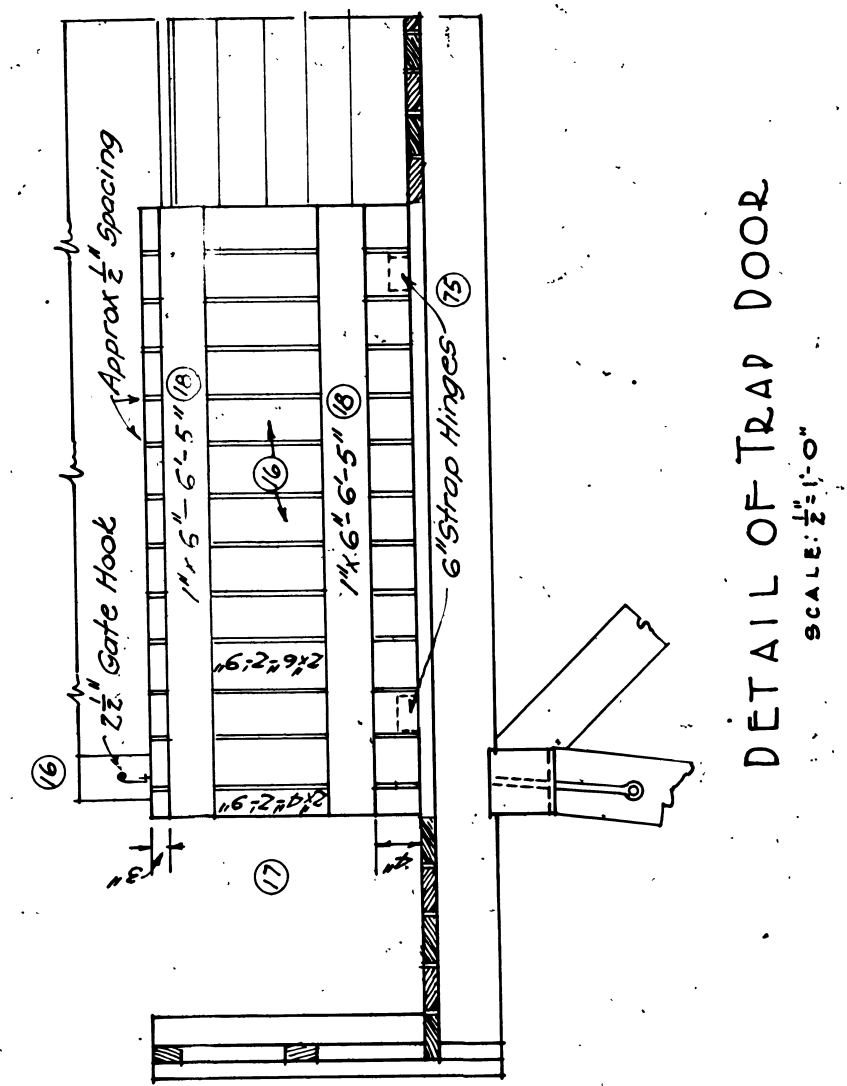


PLAN OF TOWER PLATFORM
SCALE: 1/2" = 1'-0"

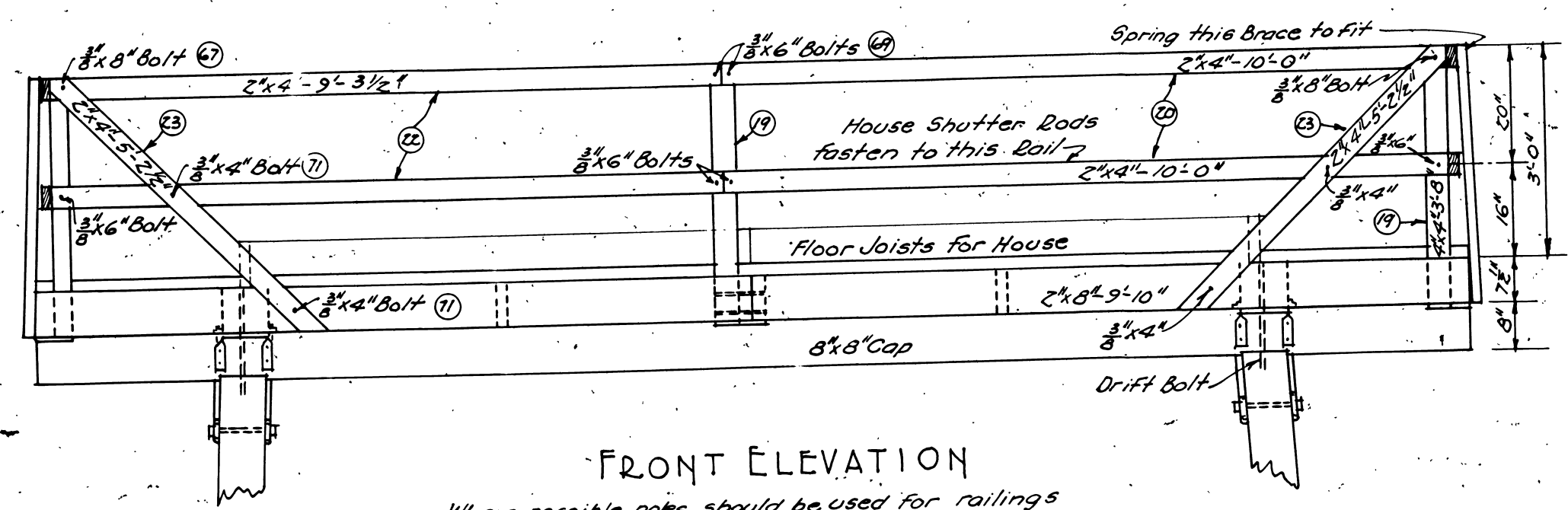


SIDE ELEVATION
SCALE: 1/2" = 1'-0"

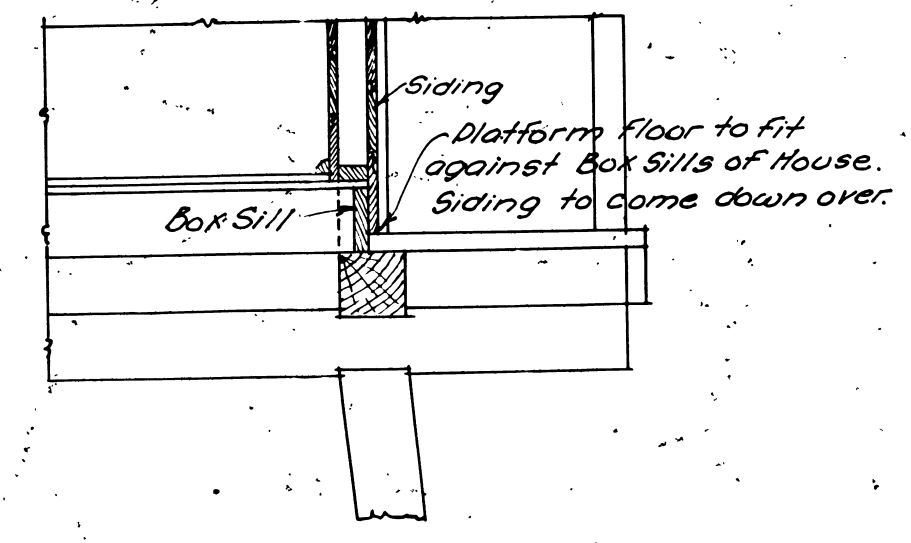
TOWER LEG BRACES
SCALE: 1/2" = 1'-0"



DETAIL OF TRAP DOOR
SCALE: 1/2" = 1'-0"



FRONT ELEVATION
Where possible poles should be used for railings
SCALE: 1/2" = 1'-0"

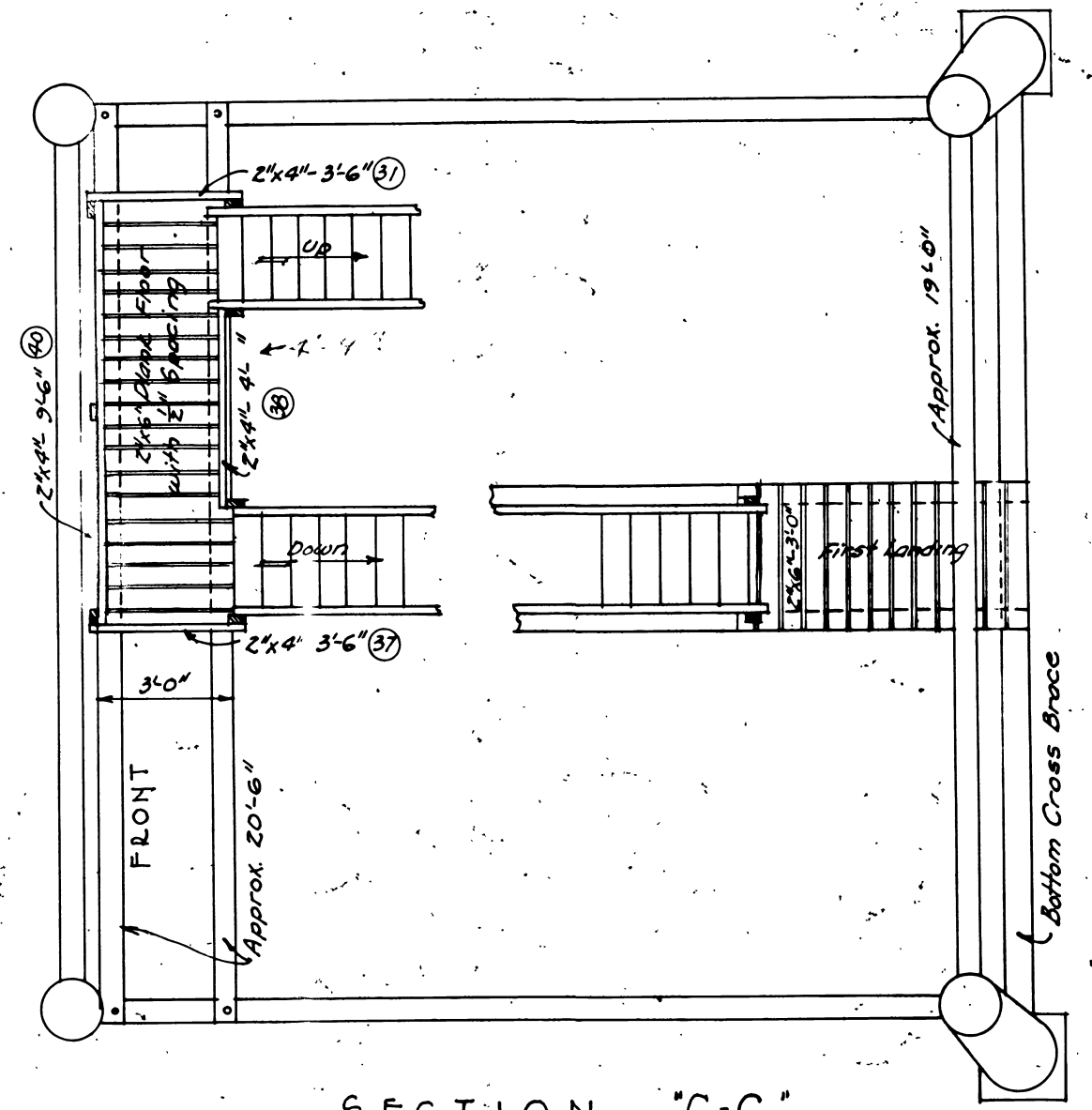
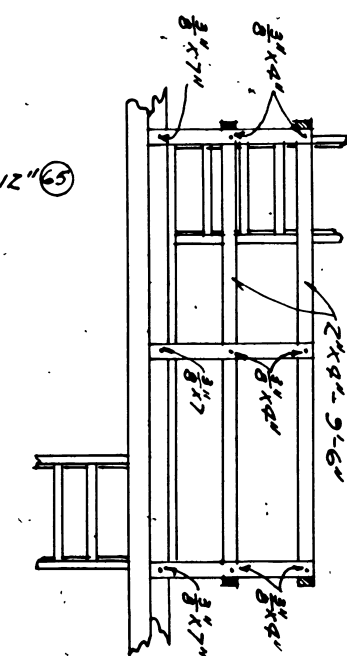
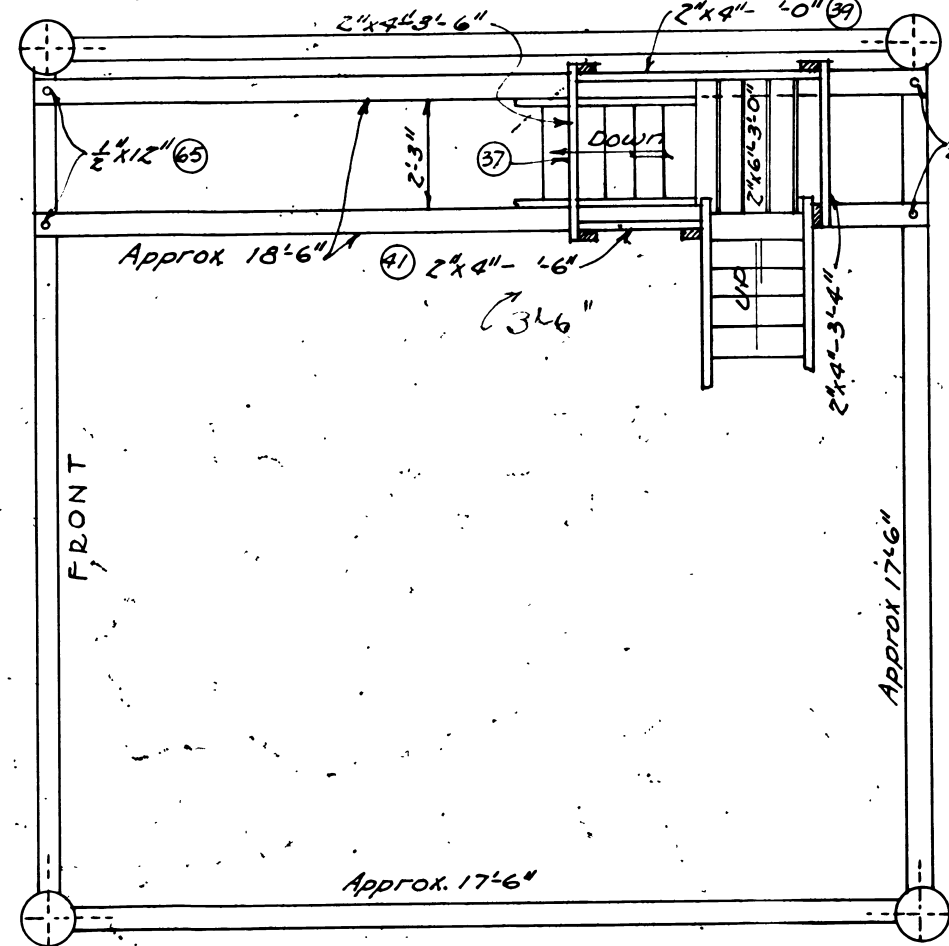
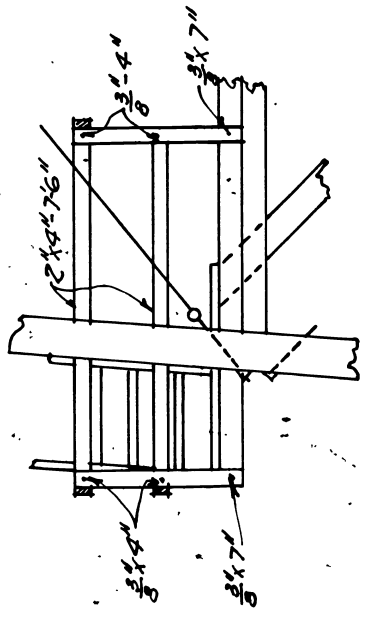
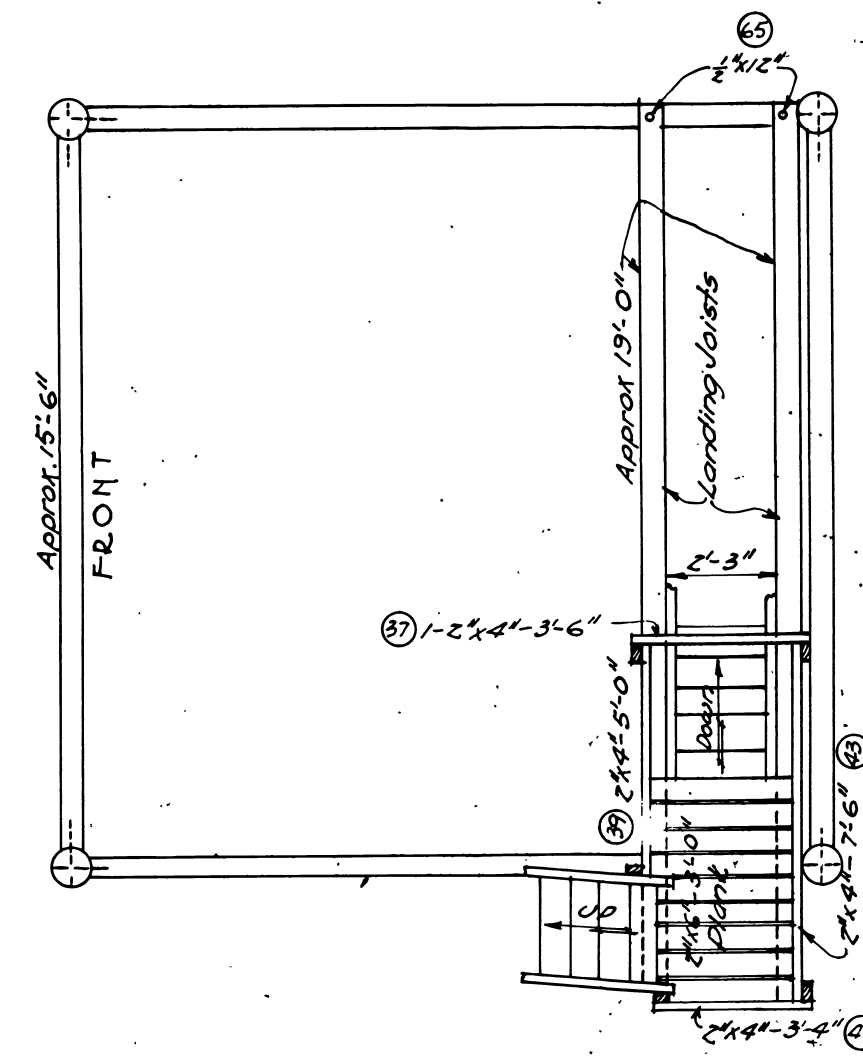


SECTION A-A SHOWING
PLATFORM FLOOR
SCALE: 1/2" = 1'-0"

Old Plan T-50
changed 8/1/1959

LOOKOUT TOWER
WITH LIVING QUARTERS
FOR USE WITH PLAN L-4
PLAN L-II
FEB. 1932 SHEET 2 OF 3

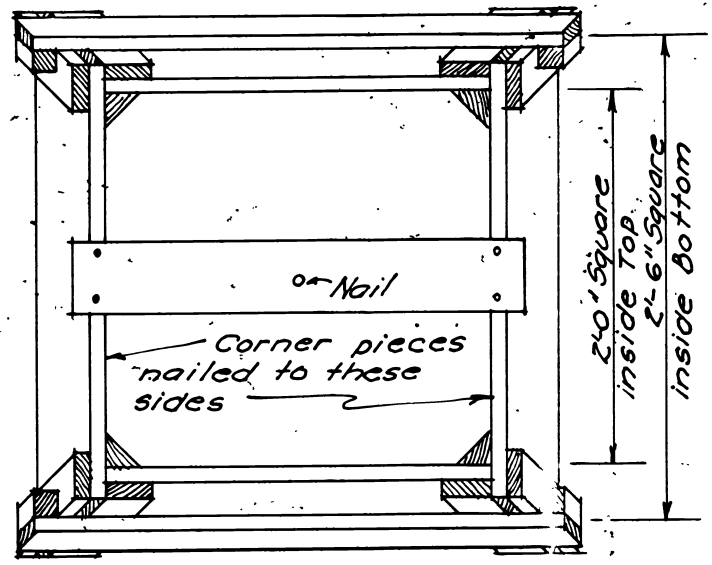
R1-L11-2-1932



SECTION 'A-A'

SECTION 'B-B'

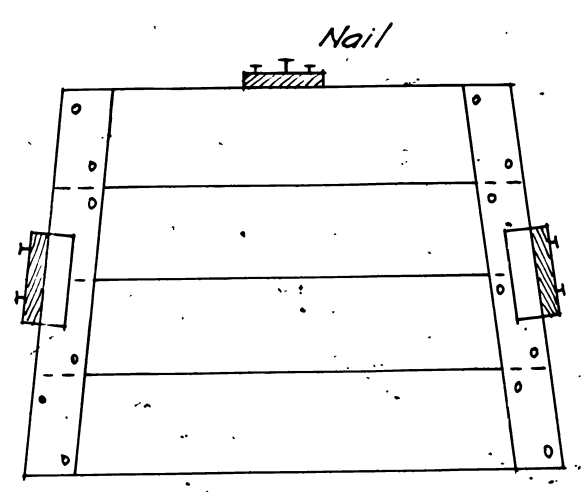
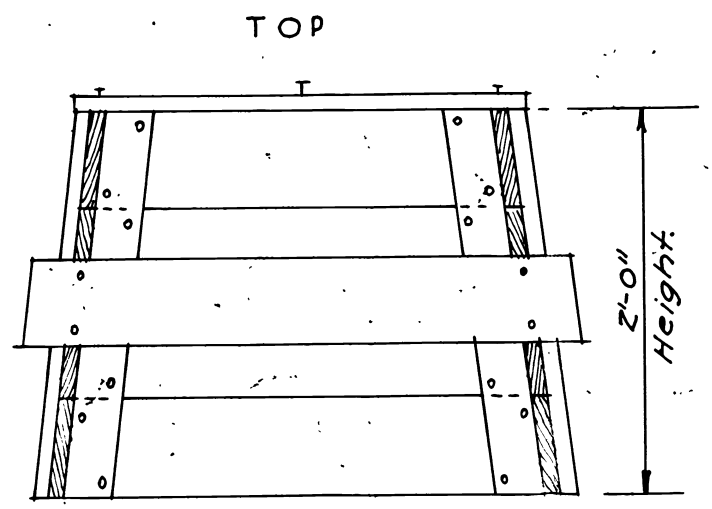
SECTION 'C-C'



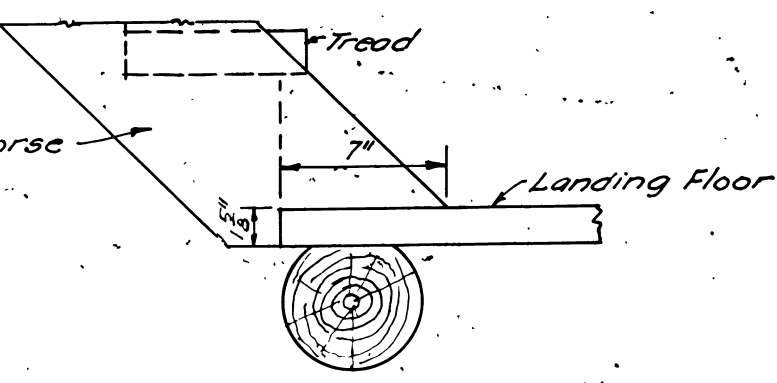
MATERIAL LIST FOR FORMS

| | | | |
|------------|-------------|-----------------|------------|
| 8 pcs. 1x6 | #2 com. 545 | cut 2x3 top | 2x5 Bottom |
| 8 " | " | 2x5 " | 2x7 " |
| 8 " | " | 2x7 " | 2x9 " |
| 8 " | " | 2x9 " | 2x11 " |
| 8 " | " | 2x11 " | 2x1 1/2 " |
| 8 " | " | 2x1 1/2 " | 2x3 " |
| 8 " | " | 2x3 " | 2x4 1/2 " |
| 8 " | " | 2x4 1/2 " | 2x6 " |
| 8 " | " | 2x6 " | 2x8 " |
| 8 " | " | 2x8 " | 2x10 " |
| 8 " | " | 2x10 " | 2x11 1/2 " |
| 1/2 " | " | 2x2 " | 2x2 " |
| 1/2 " | " | 2x2 " | 2x2 " |
| 0-2 " | " | Diagonal Strips | 2x0 " |

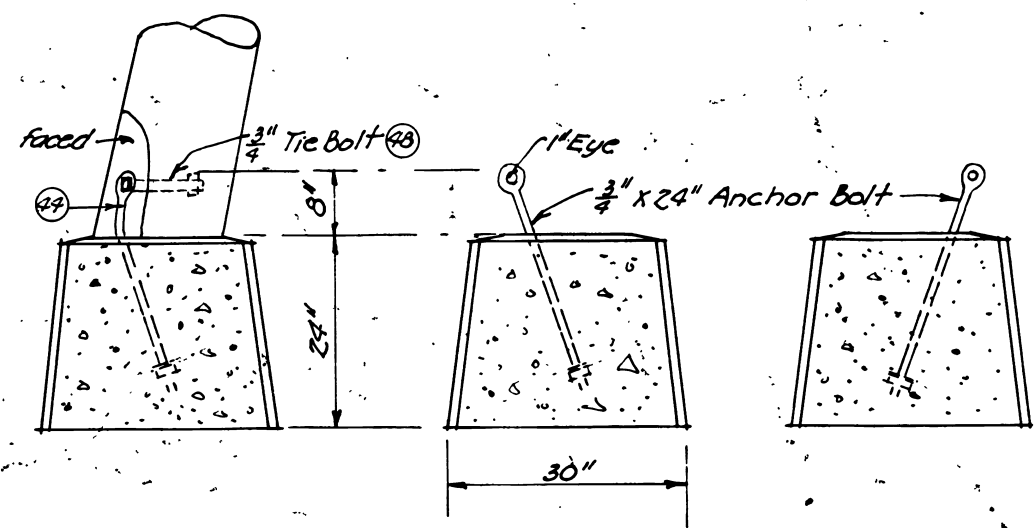
Pier forms to be furnished on special requisition only.



DETAIL OF PIER FORMS



NOTCHING FOR STAIR HORSE



NOTE:
Anchor bolt is set in concrete on a slant. After tower is erected bolt is bent to meet face at foot of leg. A hole is bored thru the leg and the bolt inserted and drawn up snug.

PIER DETAIL

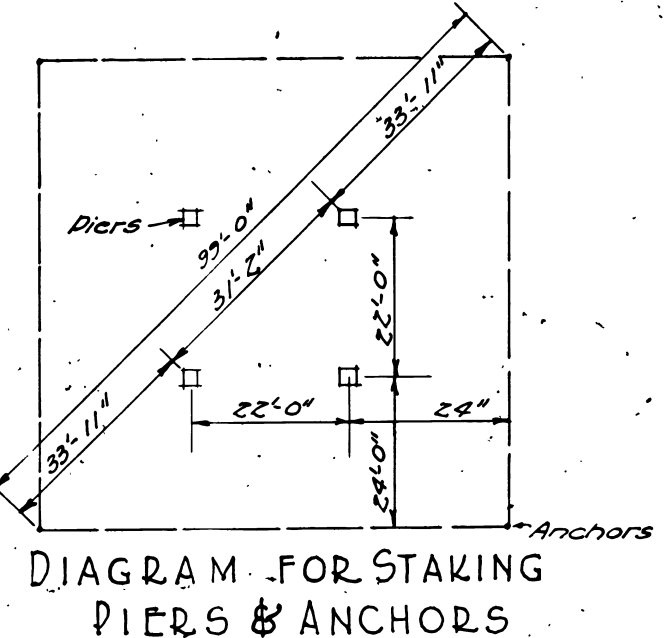
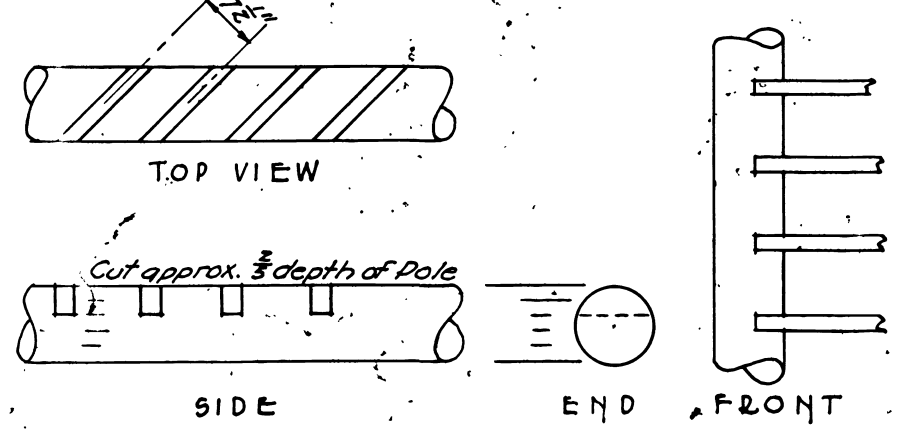
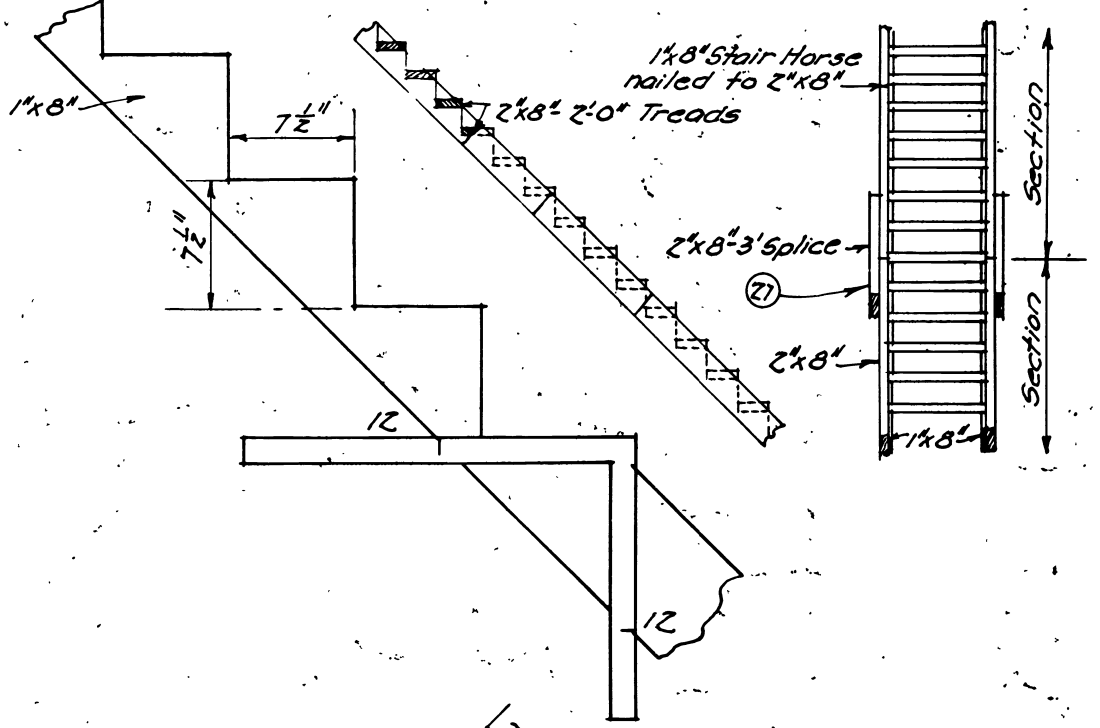


DIAGRAM FOR STAKING PIERS & ANCHORS



NOTE:
This method of making stair horses may be used. Poles approx 7" in dia are used. The cuts for treads are sawed approx 2/3 depth of pole by using an improvised miter box. The 1/4" chip is chiseled out and tread spiked into cut.

STAIR DETAILS

Old Plan T-50
Changed 8/1/1939

LOOKOUT TOWER
WITH LIVING QUARTERS
FOR USE WITH PLAN L-4
PLAN L-II