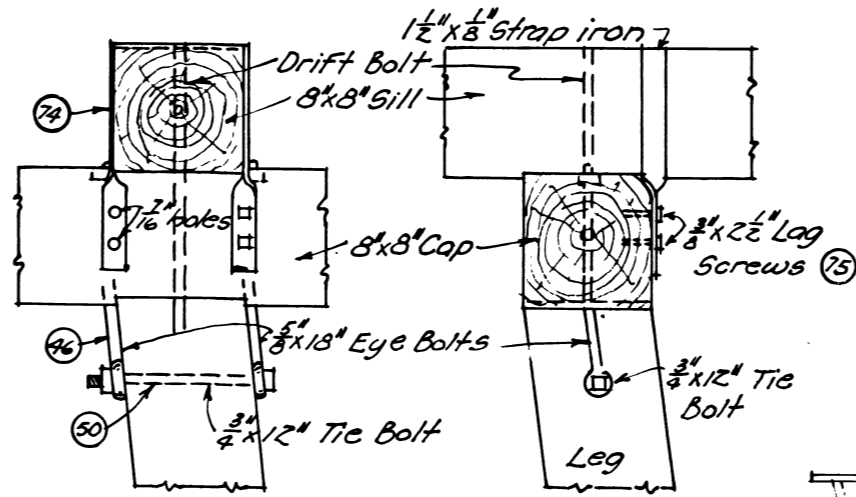


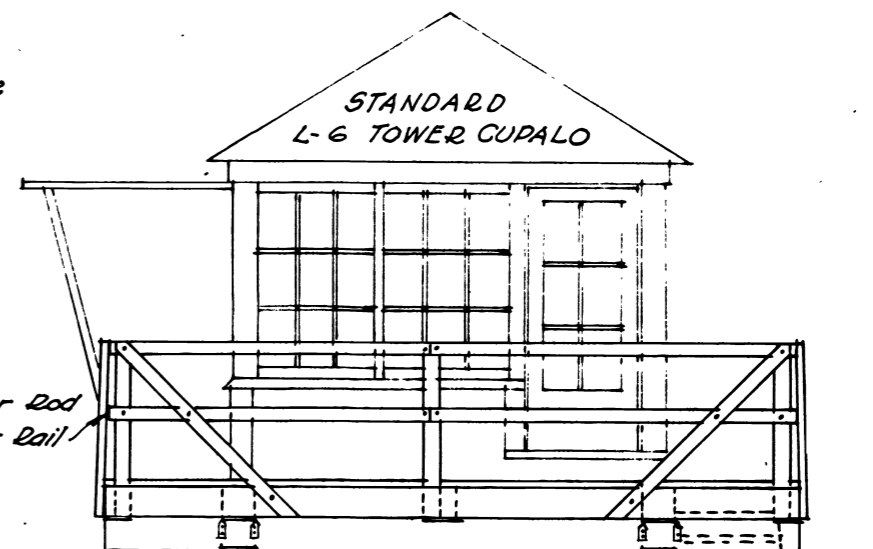
Notes: All logs and poles to be peeled. All bolt holes and contact surfaces to be treated with creosote before assembly. Tower House and Platform to be painted. Bolts to be purchased standard, threads on all long bolts to be run down approx. 4".

Before pouring concrete piers determine the dia. of base of Leg to be used. Then slope top of pier $\frac{1}{4}$ " from outer edge of Leg to permit drainage and prevent moisture collecting under Leg.

If round material is used for Platform Frame, the pieces need to be faced on top side only and dapped at bearing point on under side. The 2"x8" joist will be only $\frac{1}{4}$ " so that sills must be dapped a sufficient depth on cap to allow joist to fit properly.



DETAIL OF LEG TOPS



House Shutter Rod hinged to this Rail

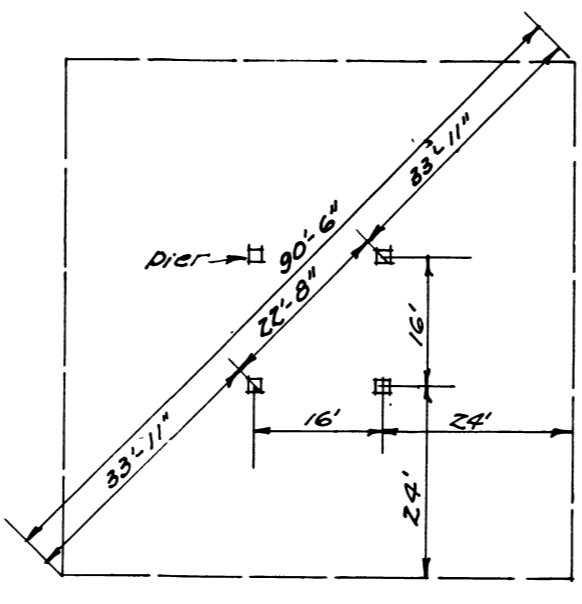
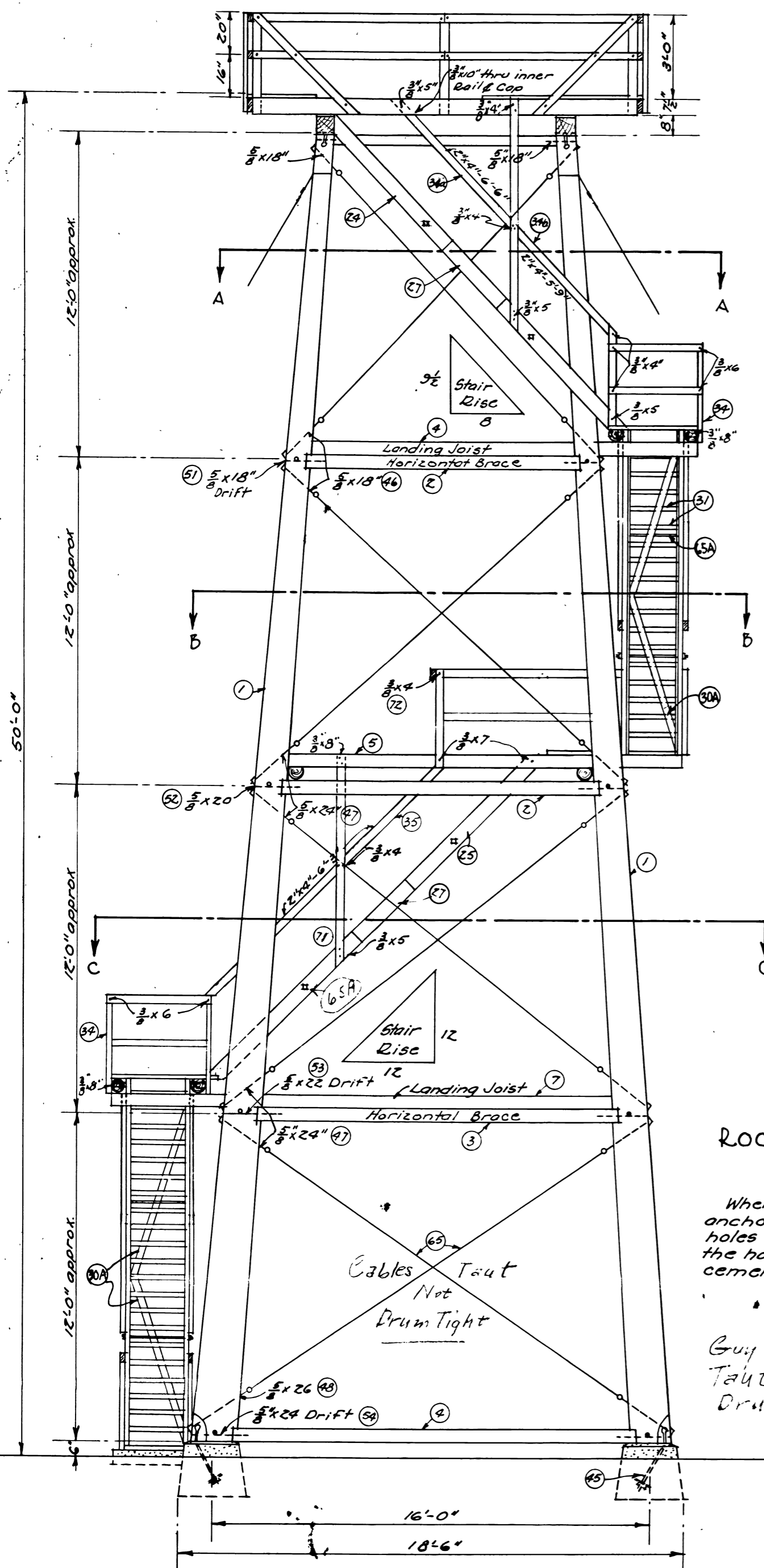
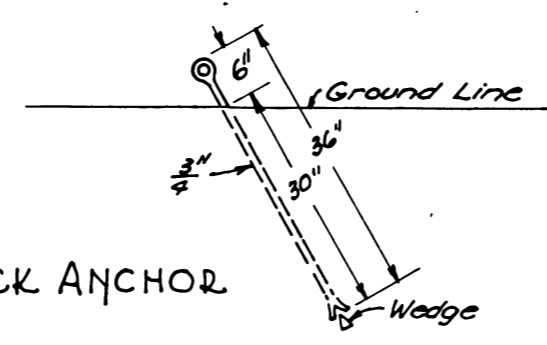
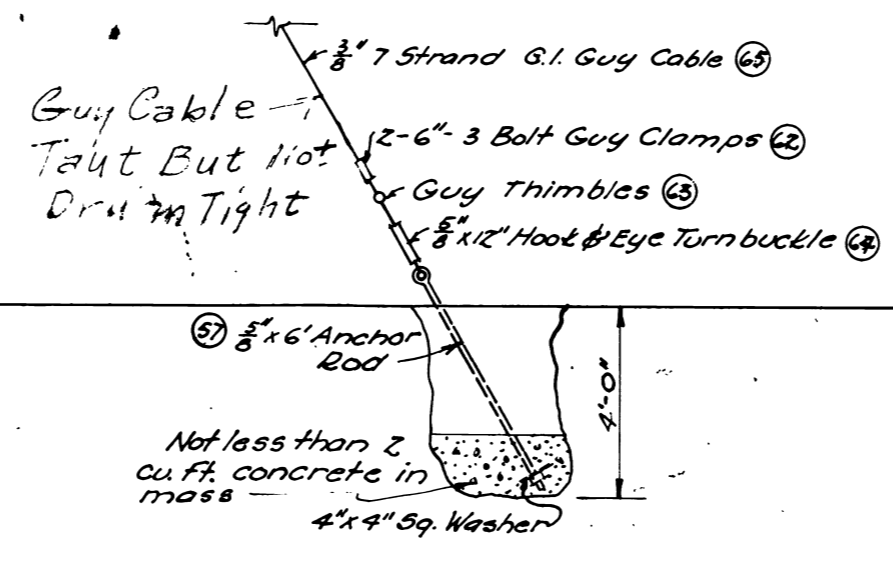


DIAGRAM FOR STAKING PIERS & ANCHORS

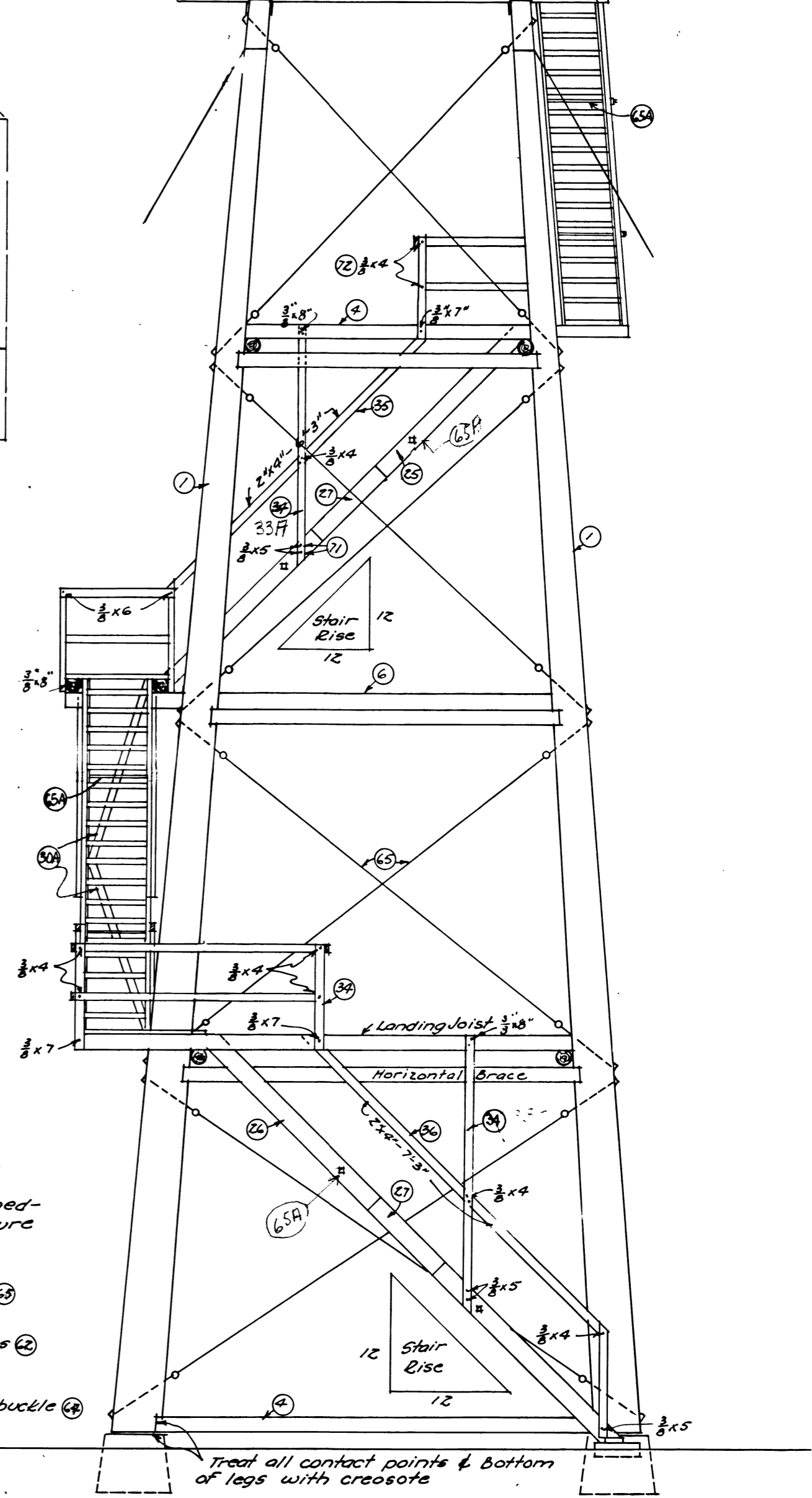


ROCK ANCHOR

Where solid rock is encountered split anchor rods will be put 2'-6" deep in holes drilled into solid rock and wedged the hole then poured full of very thin pure cement.



Note
Painting - All stair and platform rails and posts to be painted white, 2 coats.



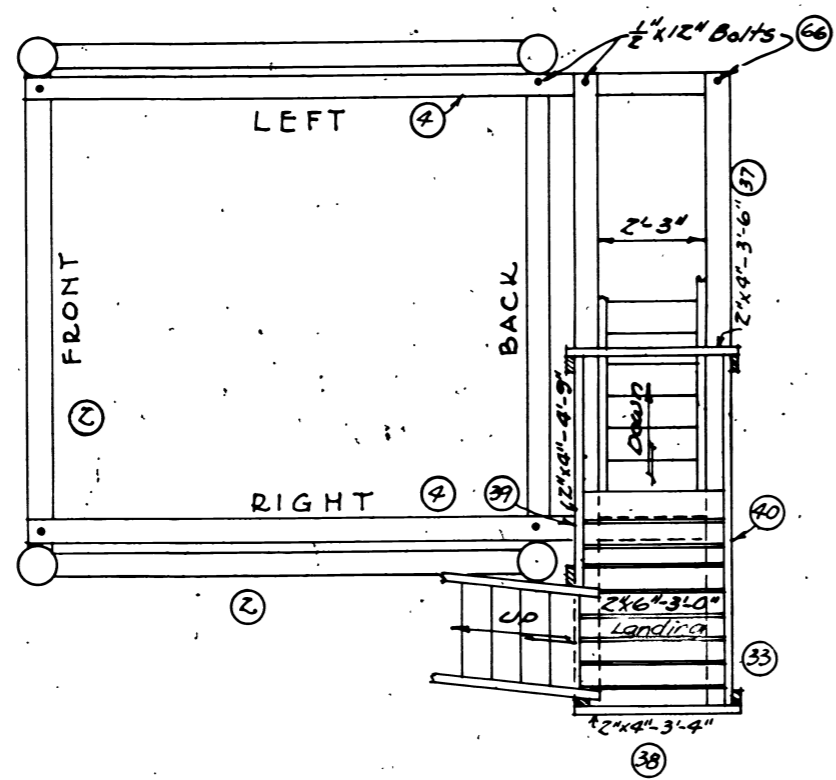
Treat all contact points & bottom of legs with creosote

U. S. DEPT. OF AGRICULTURE
FOREST SERVICE REGION NO. 1
LOOKOUT TOWER WITH CUPALO
FOR USE WITH PLAN L-6
PLAN L-2
DESIGNED BY C. P. FICKES & J. B. HALM
APPROVED BY *Paul Jefferson*
Acting Assistant Regional Forester

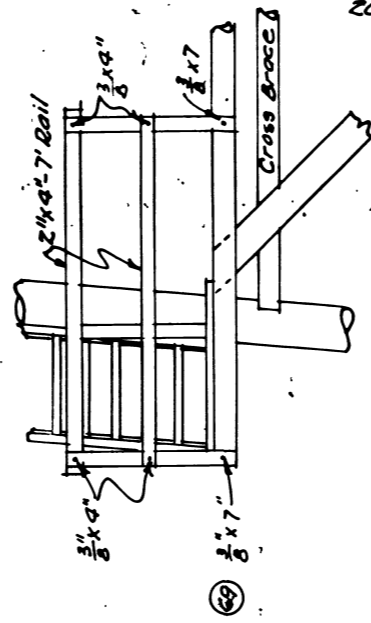
Old Plan T-2
Changed 2/1/39

Drawn by H. N. Coughlan
SP-07-02-01

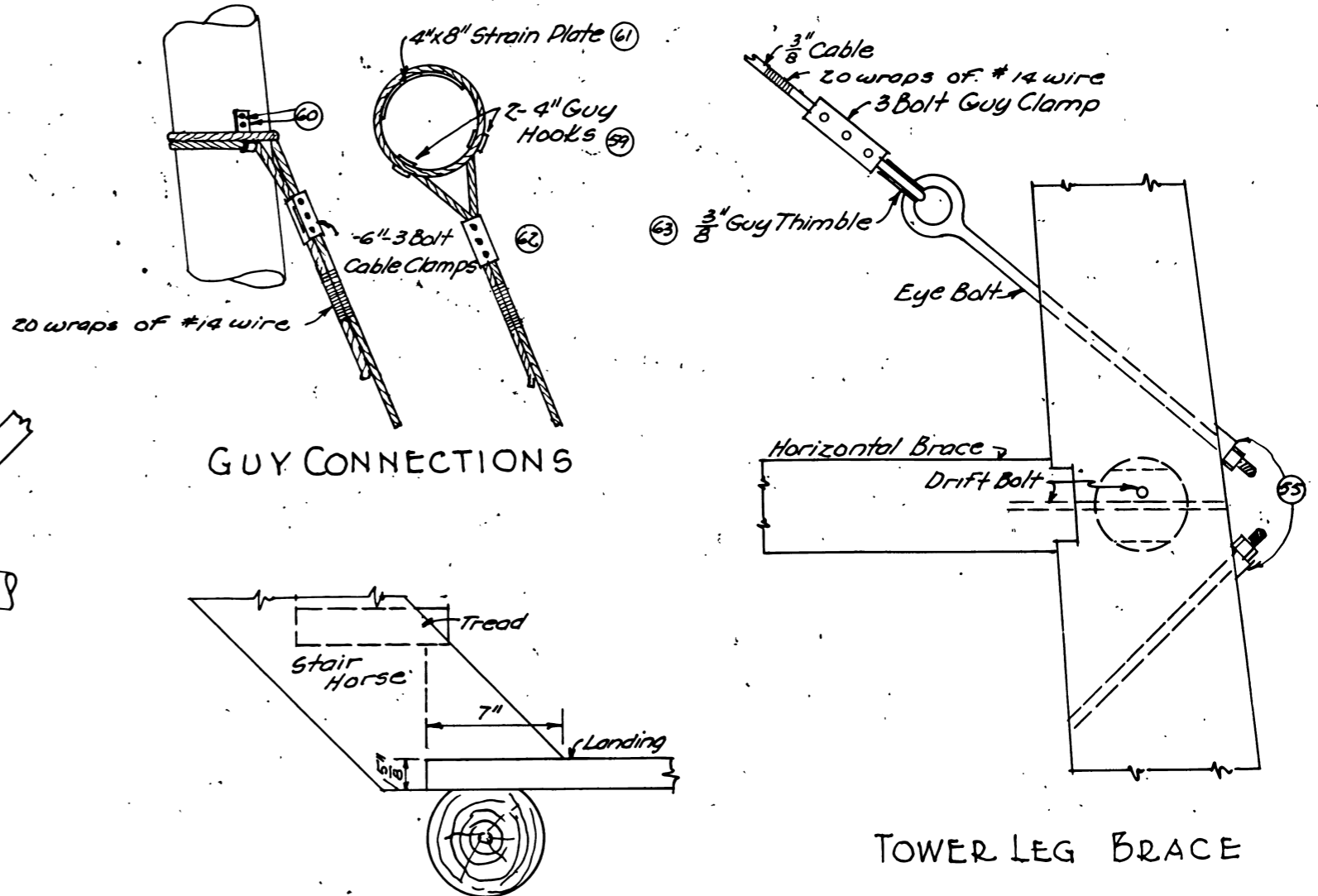
RL-L2-1-1932



SECTION "A-A"

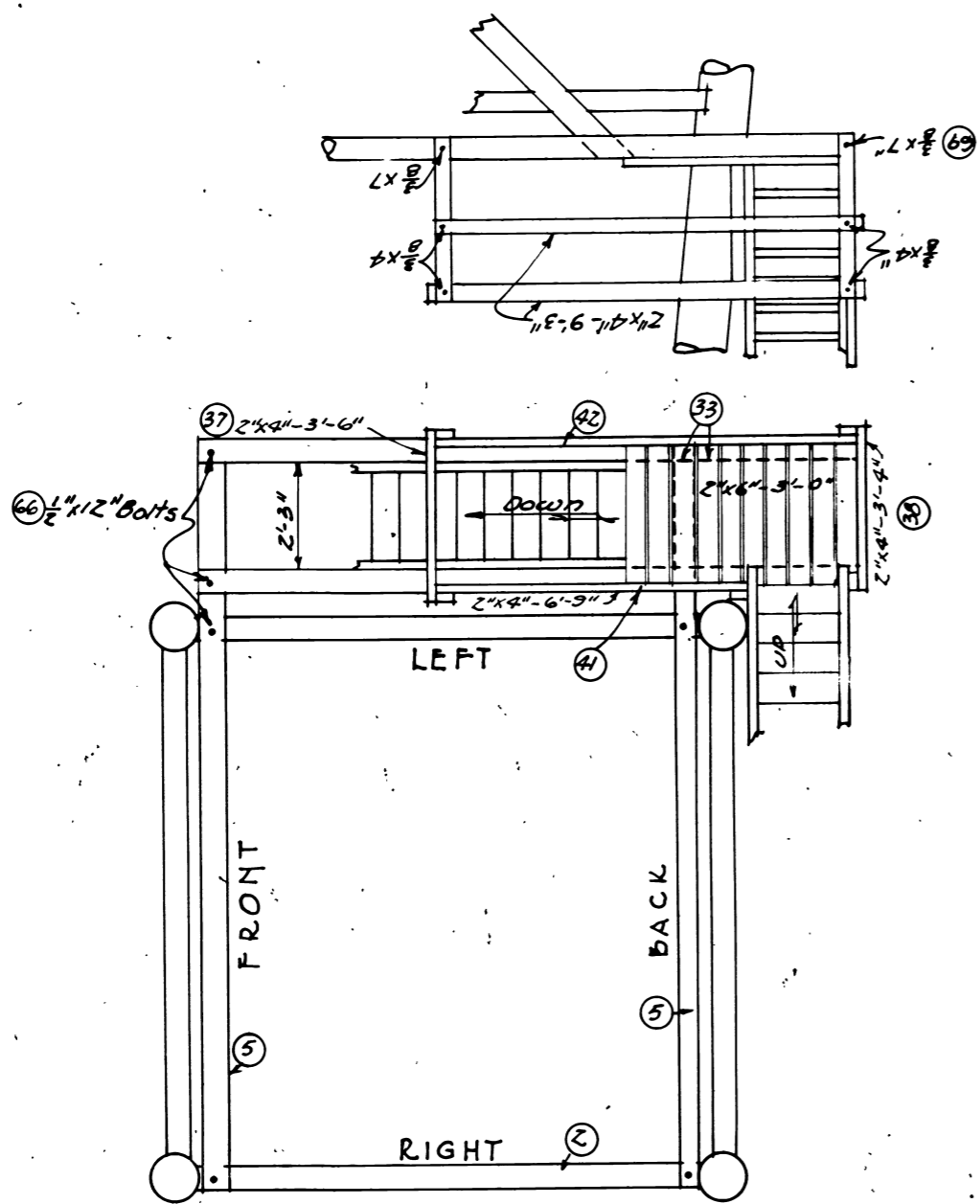


DETAIL SHOWING NOTCHING OF STAIR HORSE FOR LANDING

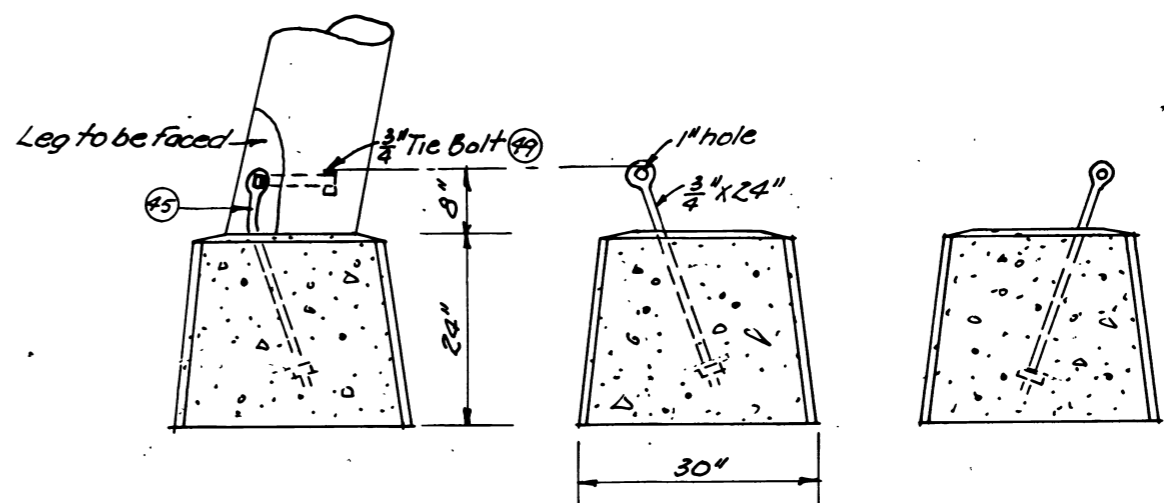


GUY CONNECTIONS

TOWER LEG BRACE

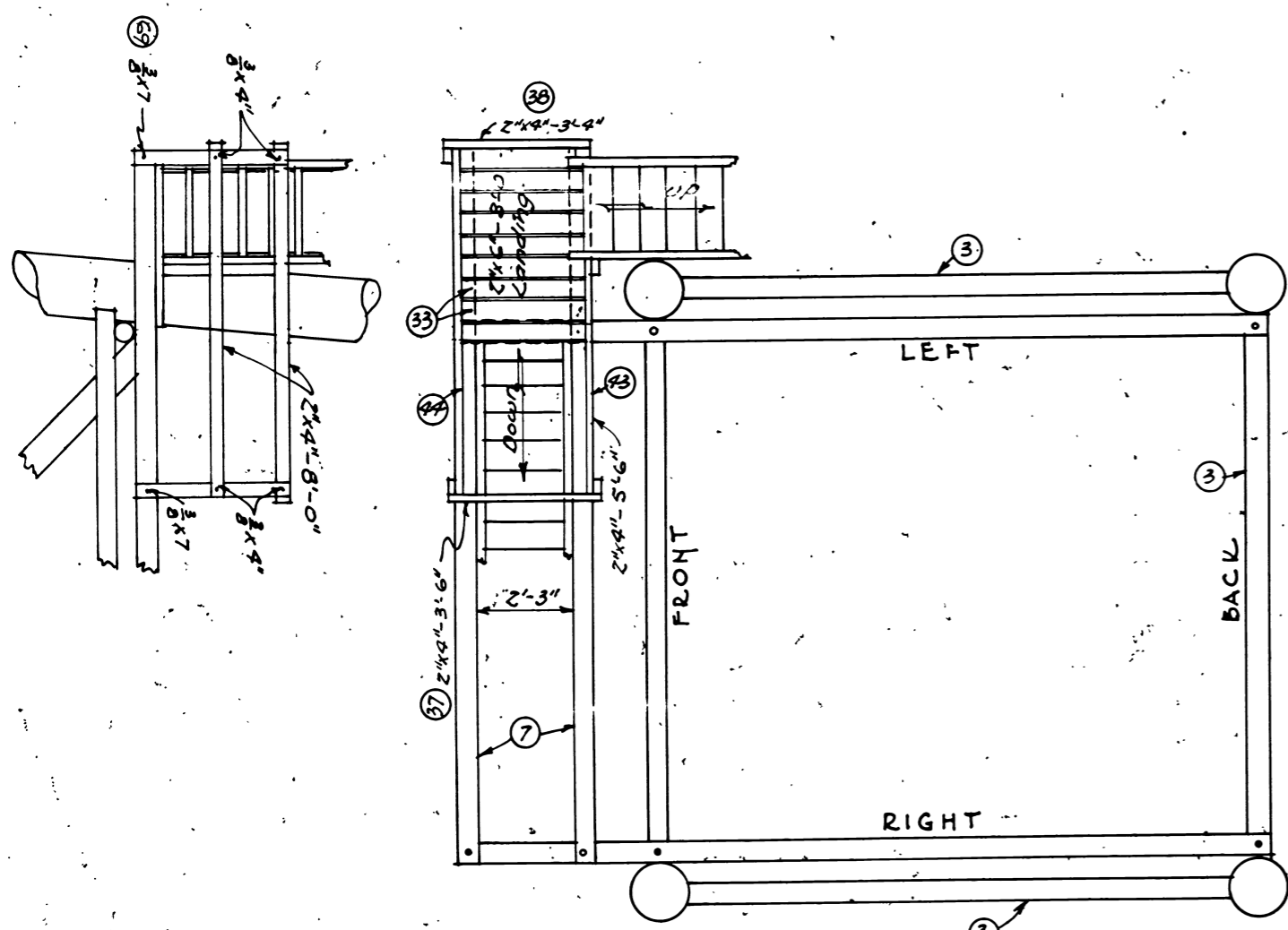


SECTION "B-B"

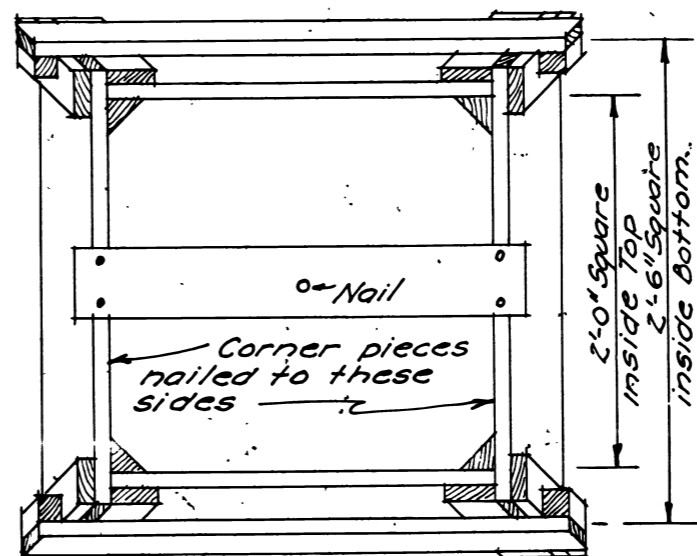


NOTE: Anchor Bolt is set in concrete on a slant. After Tower is erected bolt is bent to meet face of foot of leg. A hole is bored thru the leg and the bolt inserted and drawn up snug.

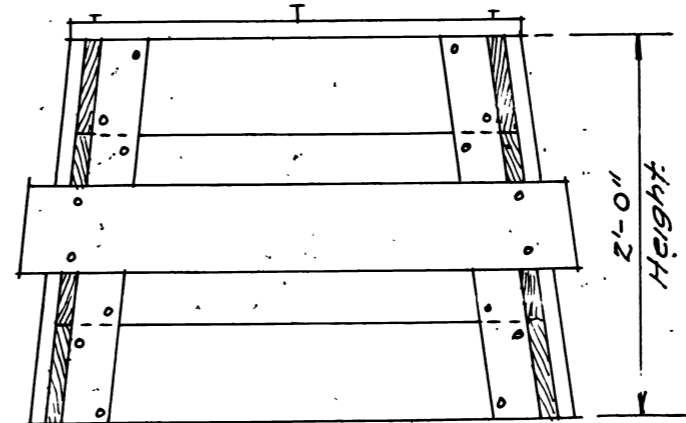
PIER DETAILS



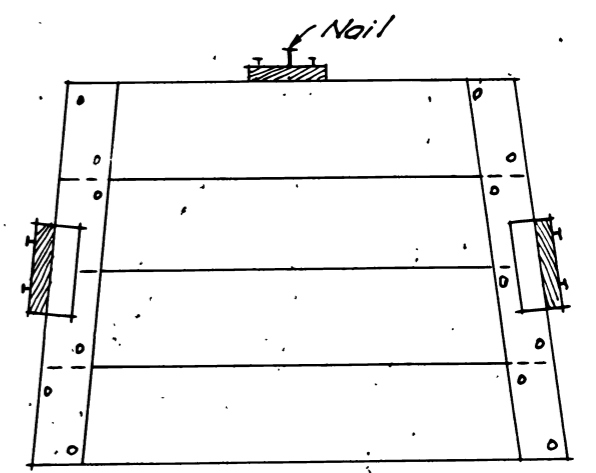
SECTION "C-C"



TOP



FRONT



SIDE

PIER FORMS

MATERIAL LIST FOR FORMS

QTY	SIZE	DESCRIPTION	REMARKS
8	1x6	#2 com.	545 cut 2x3 top-2x5 bottom
8	"	"	" 2x5" " 2x7" "
8	"	"	" 2x7" " 2x9" "
8	"	"	" 2x9" " 2x11" "
8	"	"	" 2x11" " 2x13" "
8	"	"	" 2x13" " 2x15" "
8	"	"	" 2x15" " 2x17" "
8	"	"	" 2x17" " 2x19" "
8	"	"	" 2x19" " 2x21" "
32	1x2	"	" 2x4" "
16	2x2	"	" 2x6" "
16	2x2	"	" Diagonal Strip 2x0"

(Pier forms to be furnished on special requisition only.)

Old Plan T-2
Changed 8/1/39

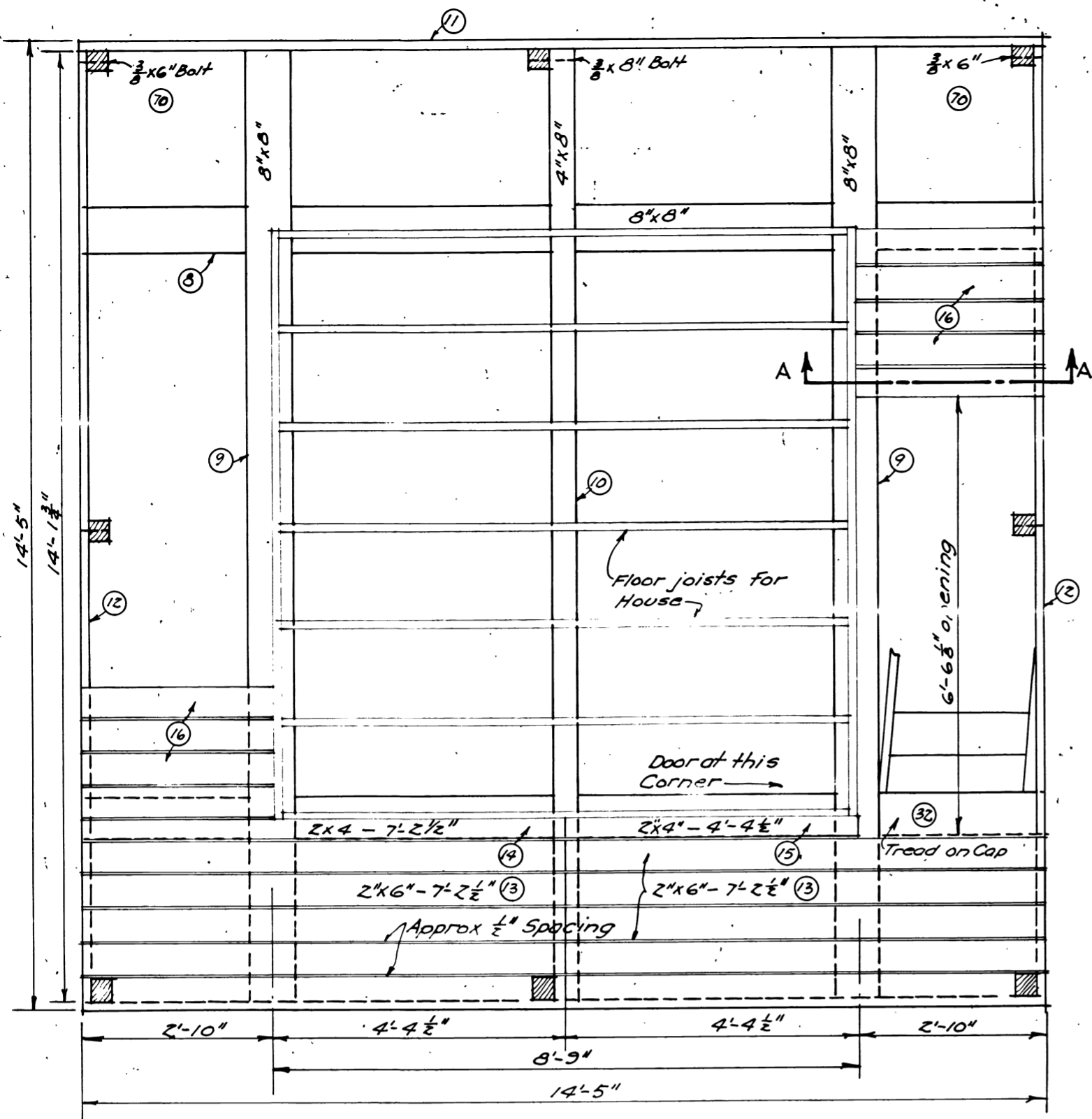
LOOKOUT TOWER
WITH CUPALO
FOR USE WITH PLAN L-6
PLAN L-2

FEB. 1932

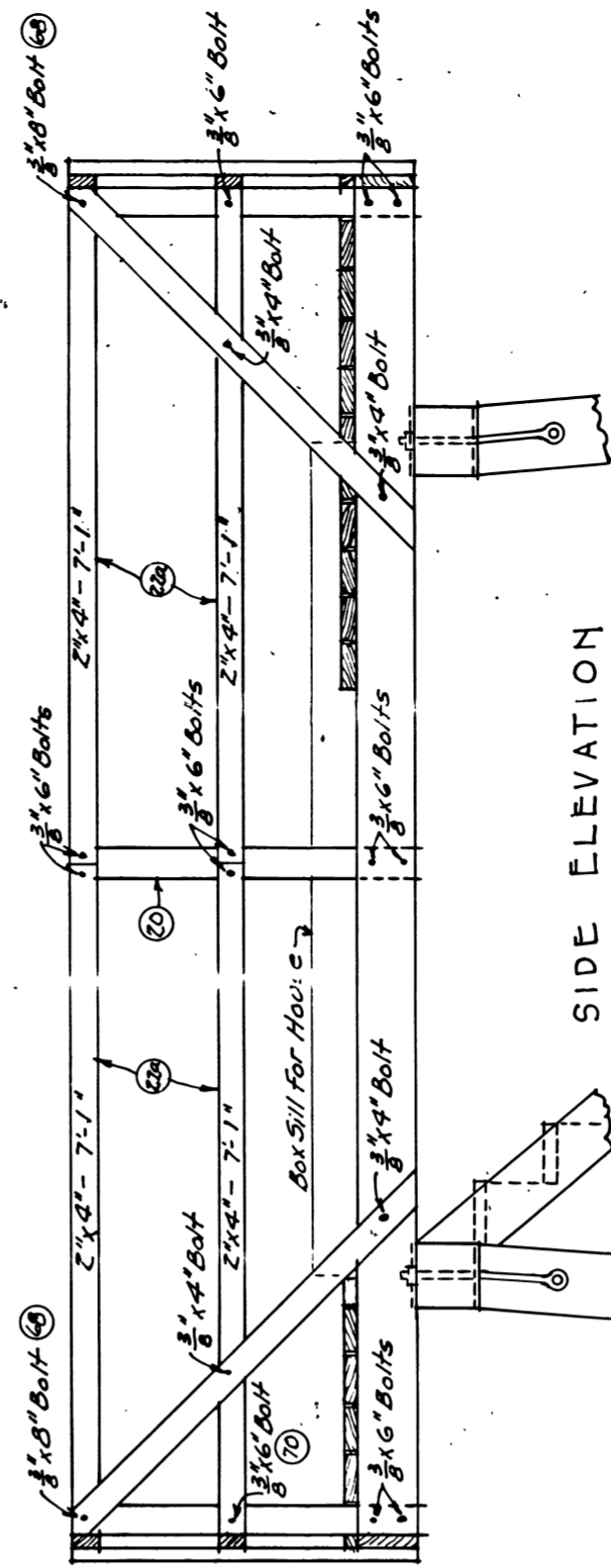
SHEET 2 OF 5

SP-07-02-01

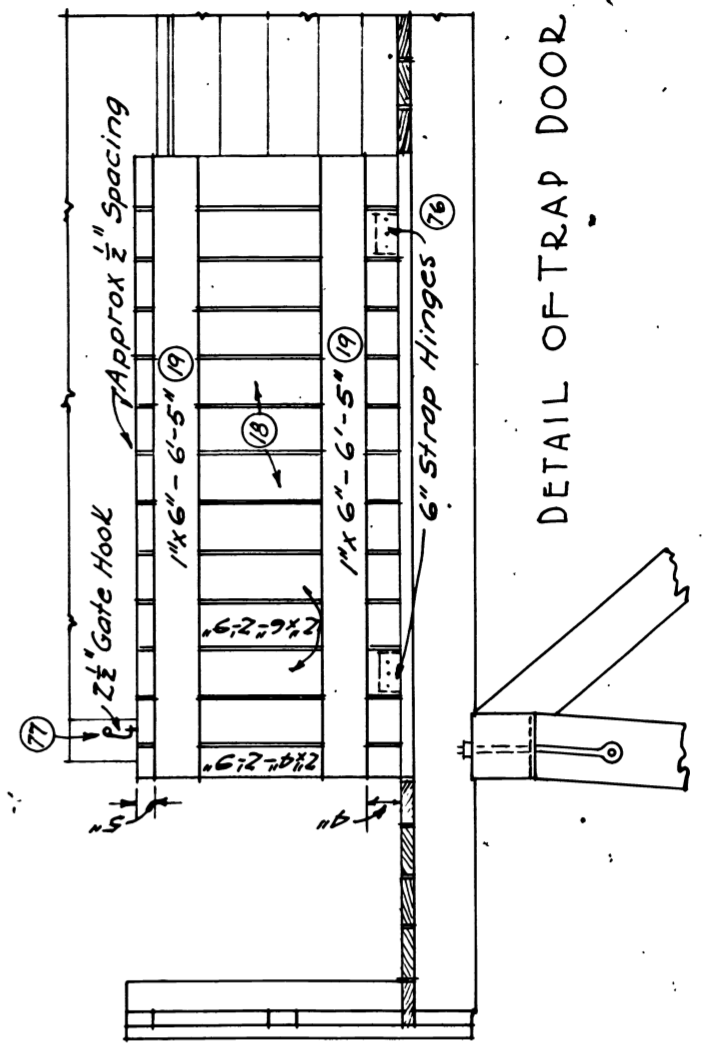
R1-L2-2-1932



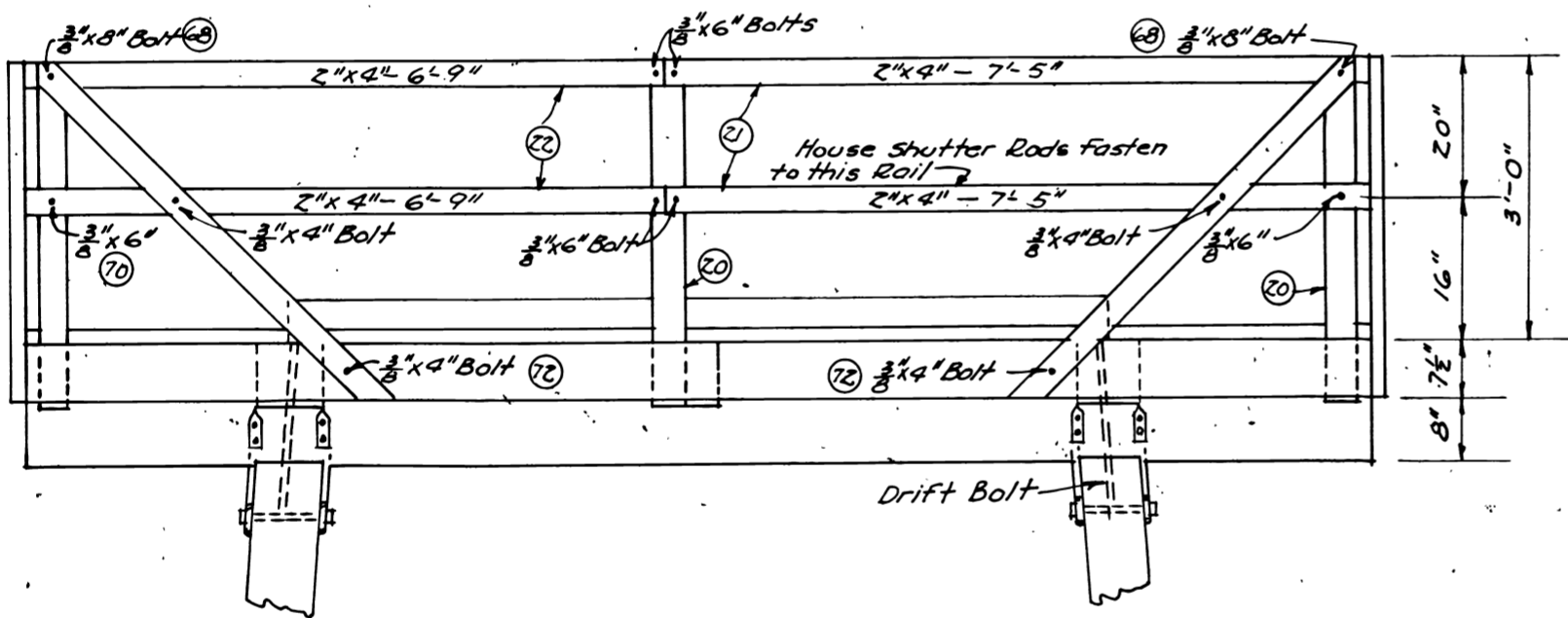
PLAN OF TOWER PLATFORM



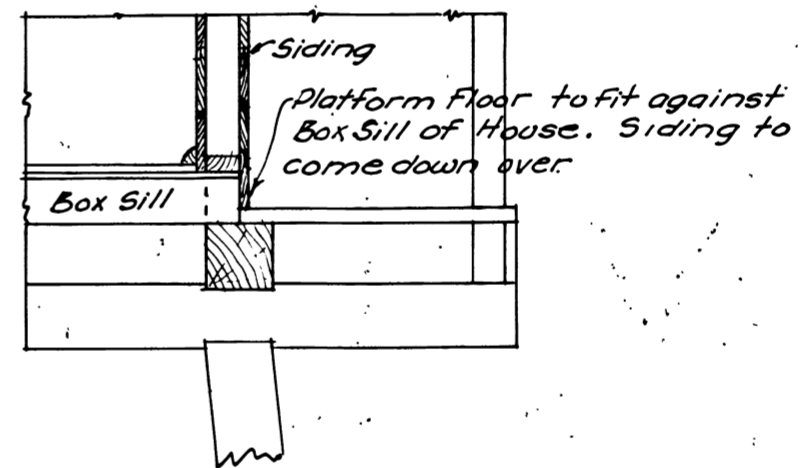
SIDE ELEVATION



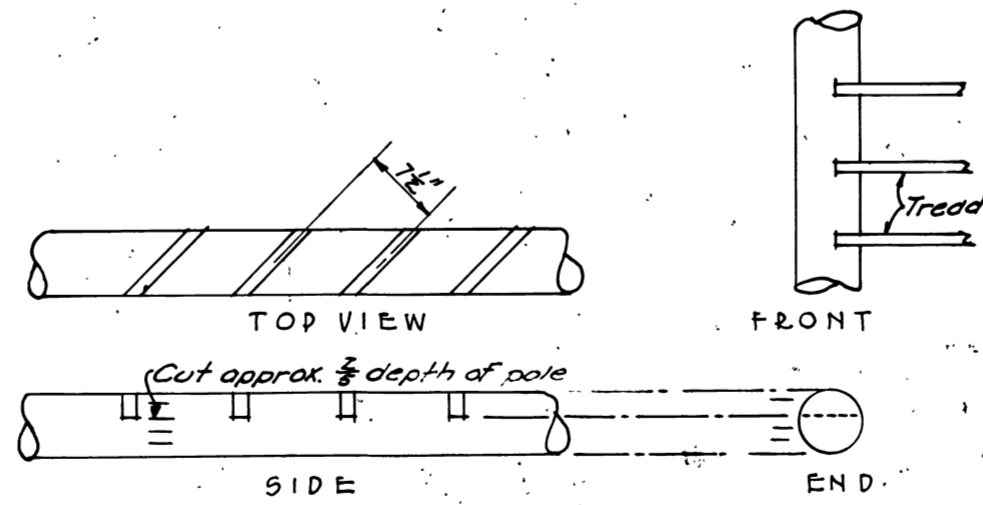
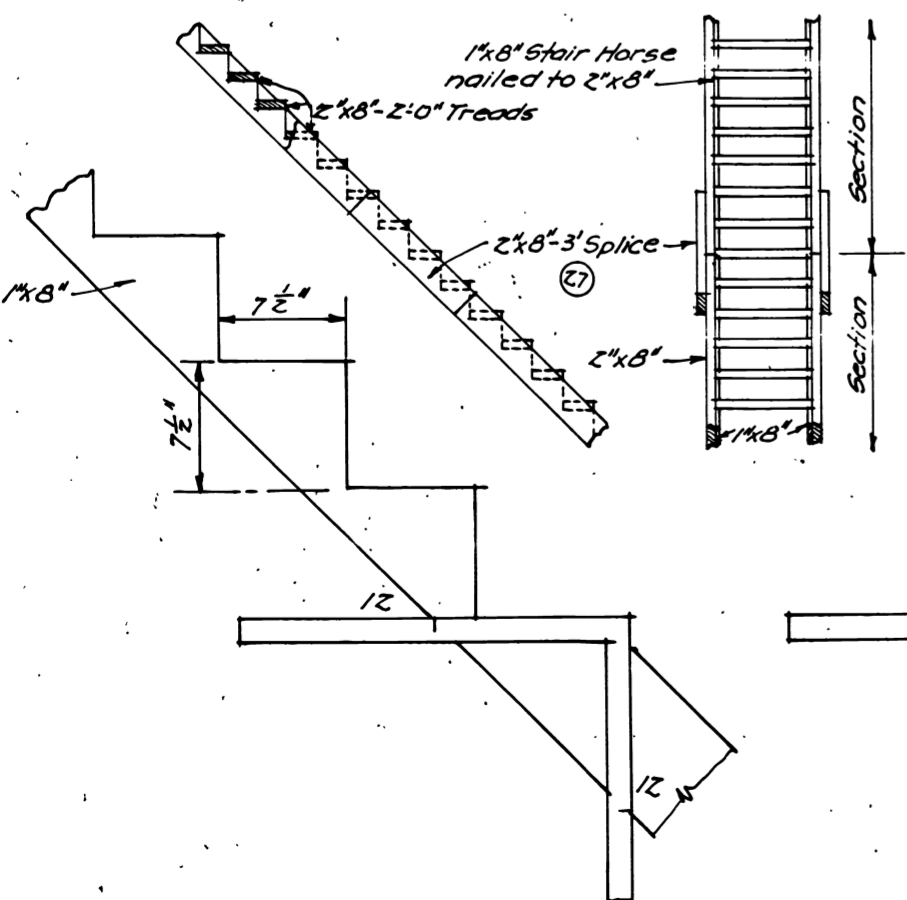
DETAIL OF TRAP DOOR



FRONT ELEVATION

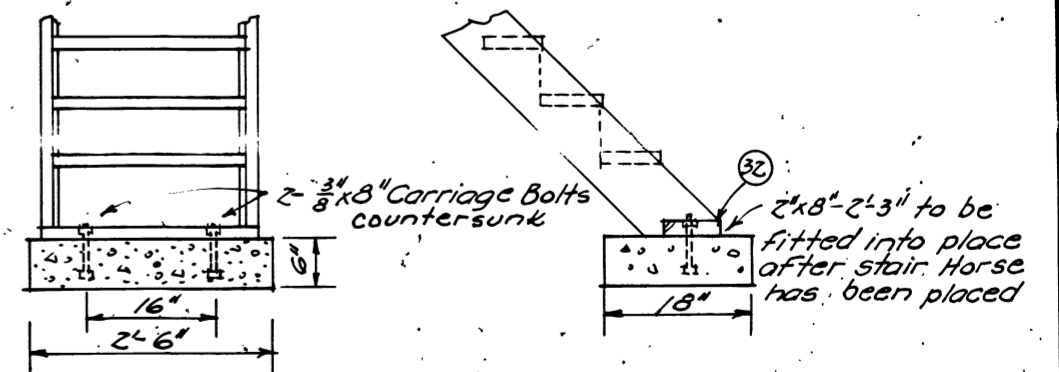


SECTION "A-A" SHOWING PLATFORM FLOORING



This method of making Stair Horses may be used. Poles approx. 7" in dia. are used. The cuts for treads are sawed approx. 3/8" depth of pole by using an improvised miter box. The 1 1/2" chip is chiseled out and tread spilled into cut.

POLE STAIR HORSE



DETAIL OF FOOTING FOR STAIR HORSE

STAIR DETAILS

Old Plan T-2
Changed 8/1/39

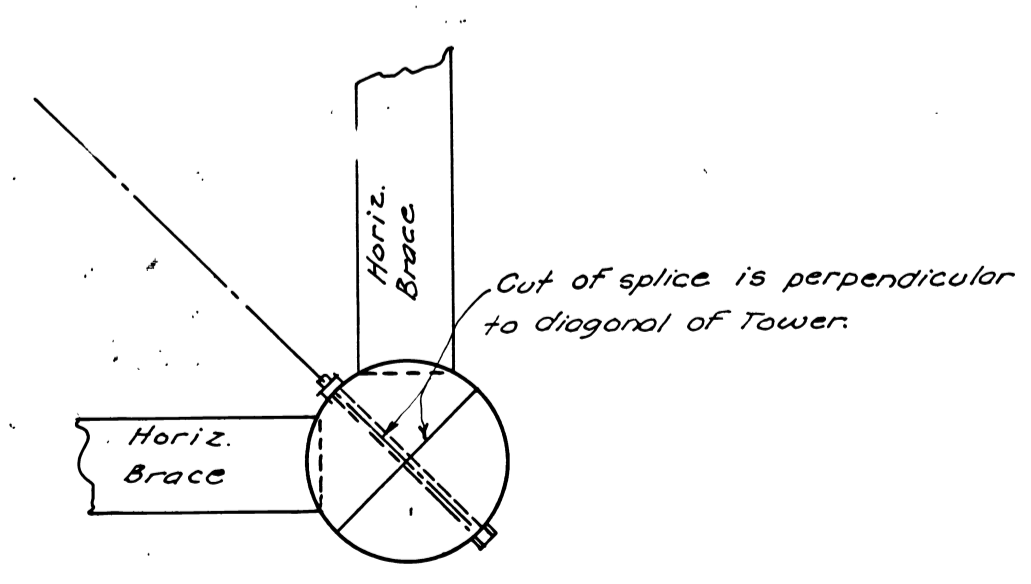
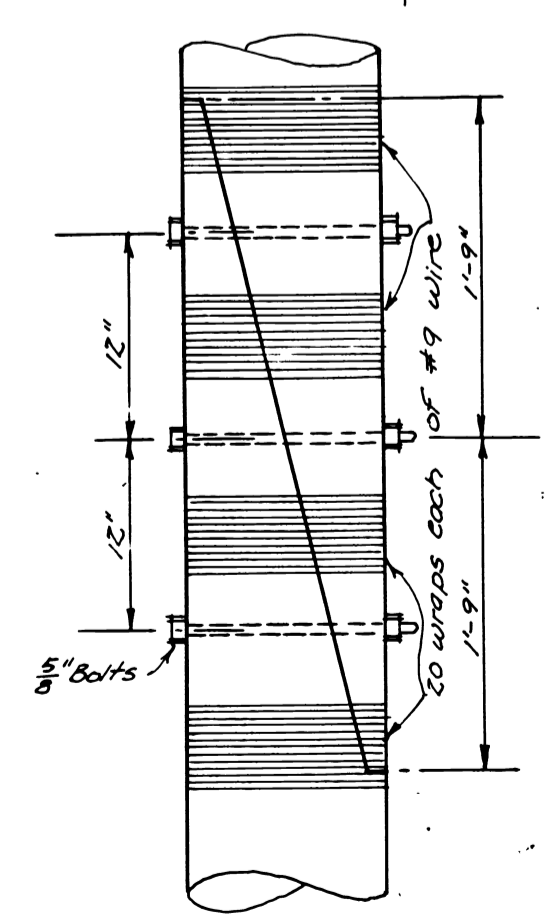
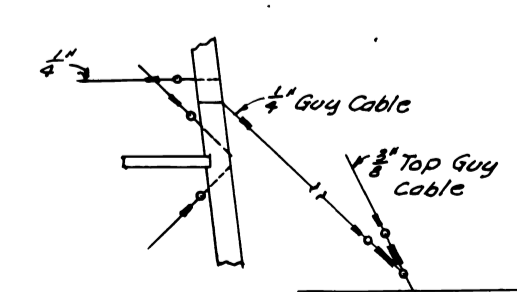
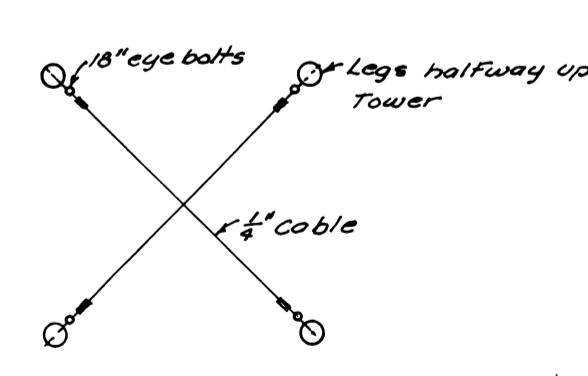
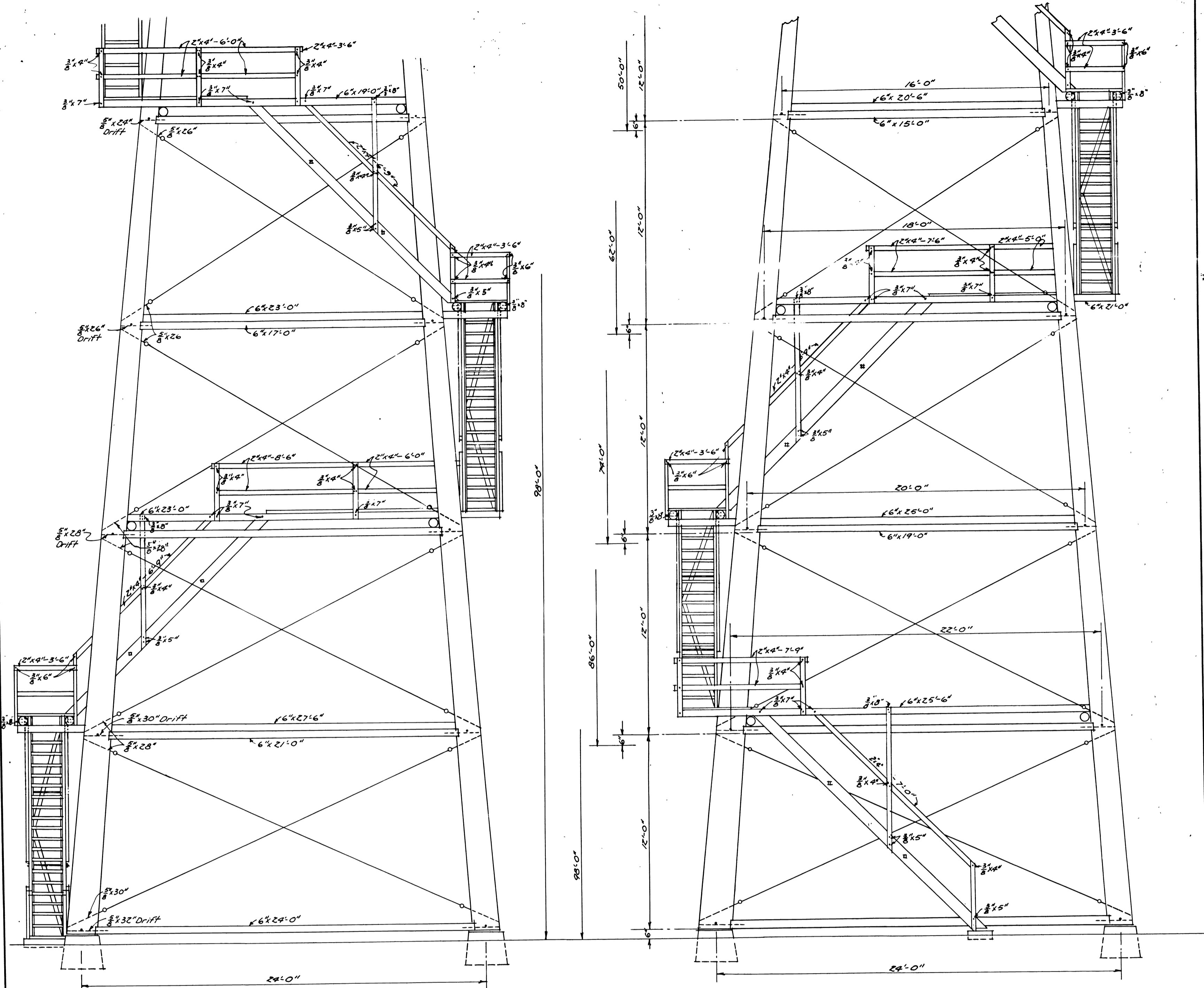
LOOKOUT TOWER
WITH CUPALO
FOR USE WITH PLAN L-6
PLAN L-2

FEB. 1932

SHEET 3 OF 5

SP-07-02-01

R1-L2-3-1932



DETAIL OF LEG SPLICE

For 62' Tower: 2-1/2" cross cables are strung on the horizontal diagonal between eye bolts thru opposite legs halfway up tower.
 For 74', 86' & 98' Towers: The above cross bracing is used.
 Also 1/2" Guy cables are stretched from halfway up the tower to anchor rods.

Old Plan T-2
 Changed 8/1/39

SUPPLEMENTAL PLAN L-2
 LOOKOUT TOWERS
 WITH CUPALO
 62' - 74' - 86' - 98'
 MAR. 1932 SHEET 4 OF 5

SP-07-02-01

R1-L2-4-1932