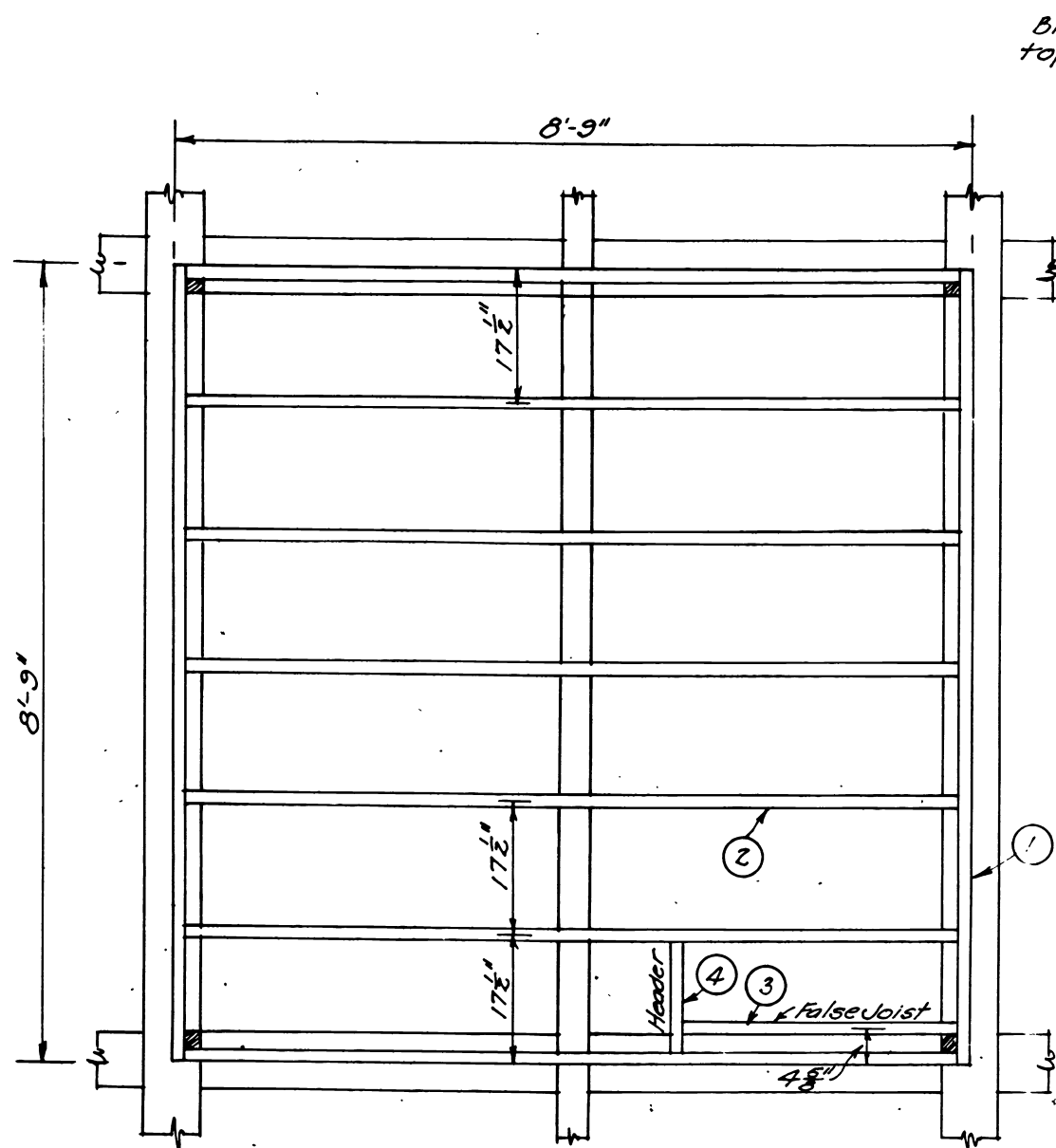
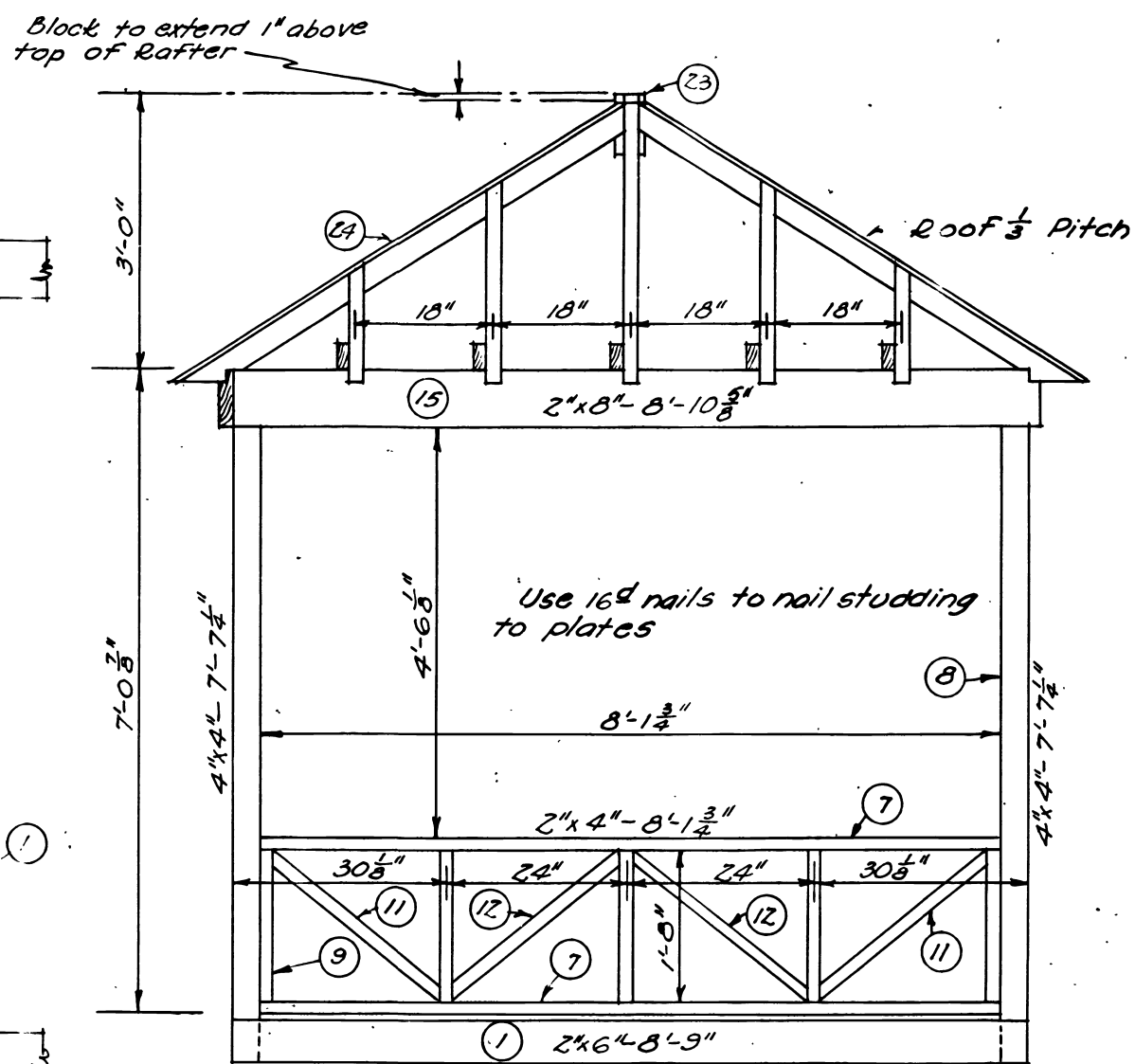


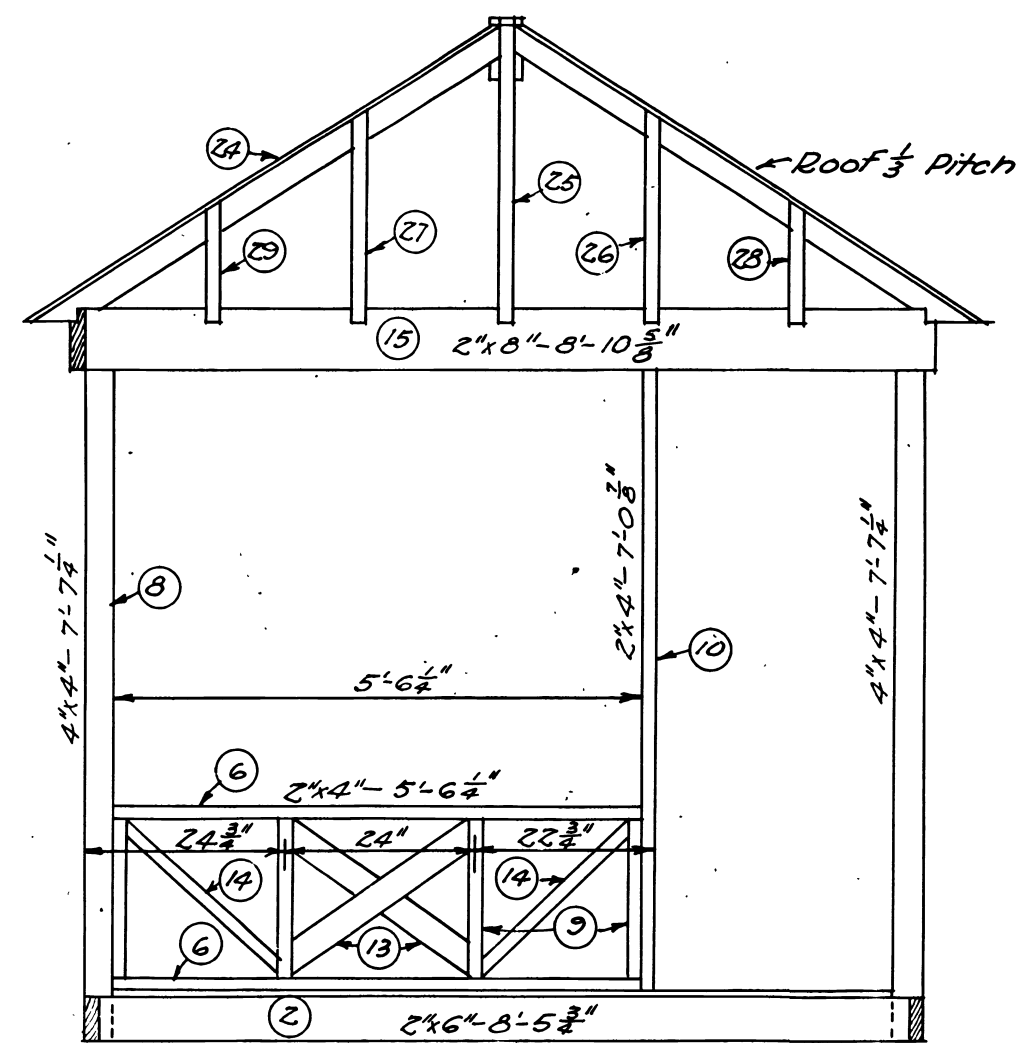
THIS STRUCTURE TO BE USED FOR PATROL STATIONS AND FOR ALL TOWER HOUSES ON  $\pi$ 1 AND  $\pi$ 2 TOWERS.



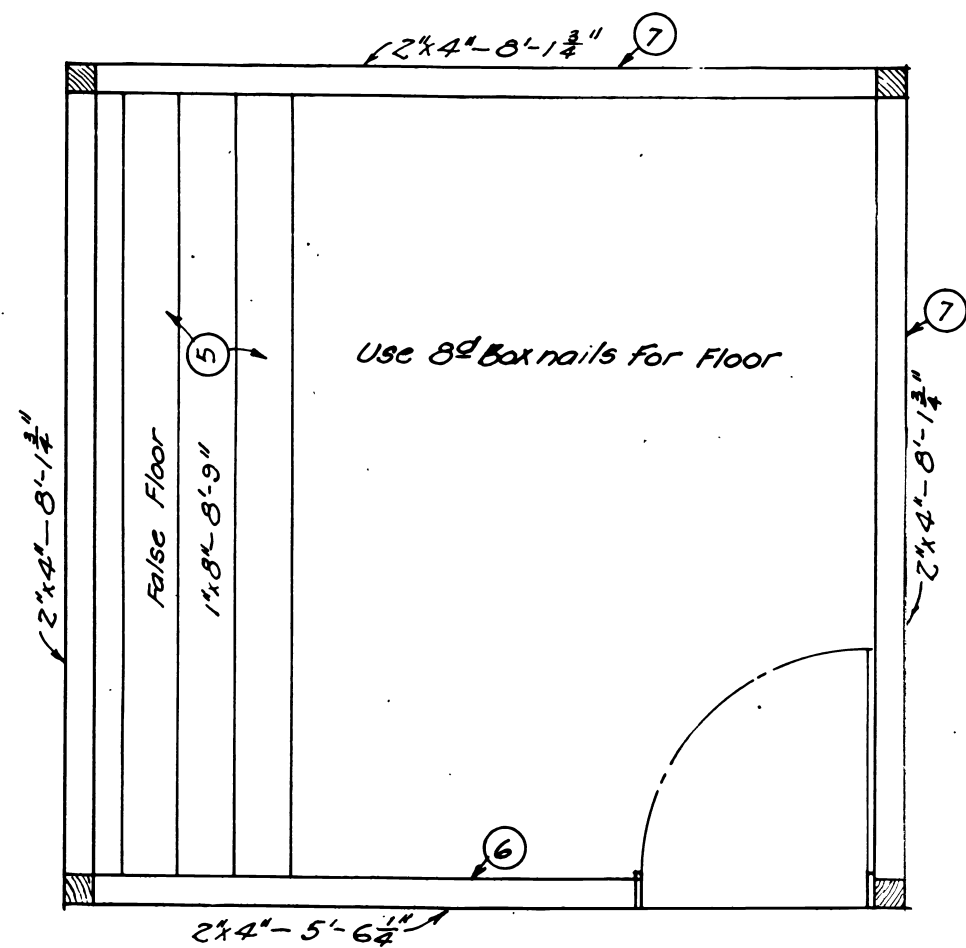
JOIST FRAMING PLAN  
SCALE:  $\frac{1}{2}$ " = 1'-0"



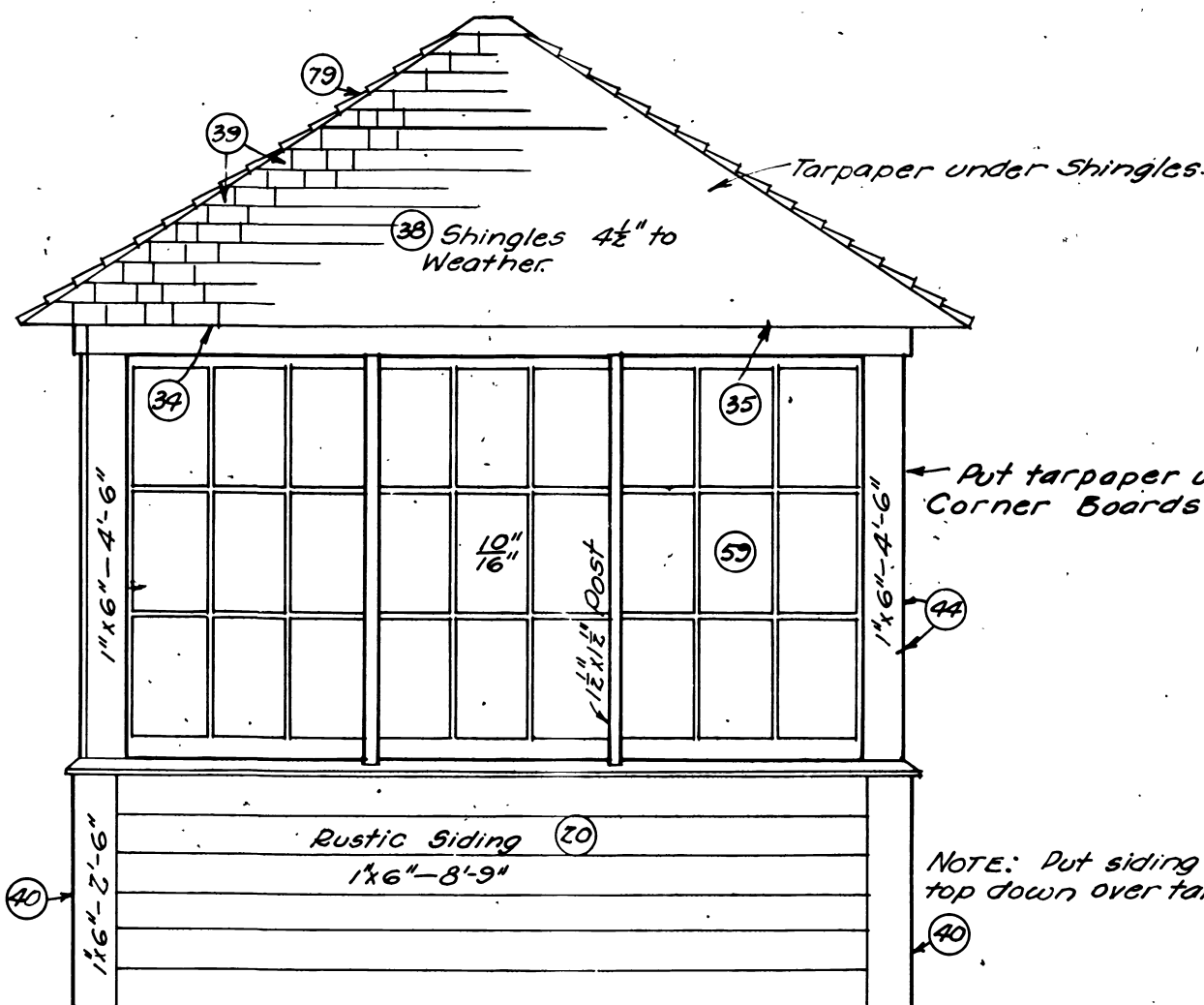
SIDE FRAMING DETAIL  
SCALE:  $\frac{1}{2}$ " = 1'-0"



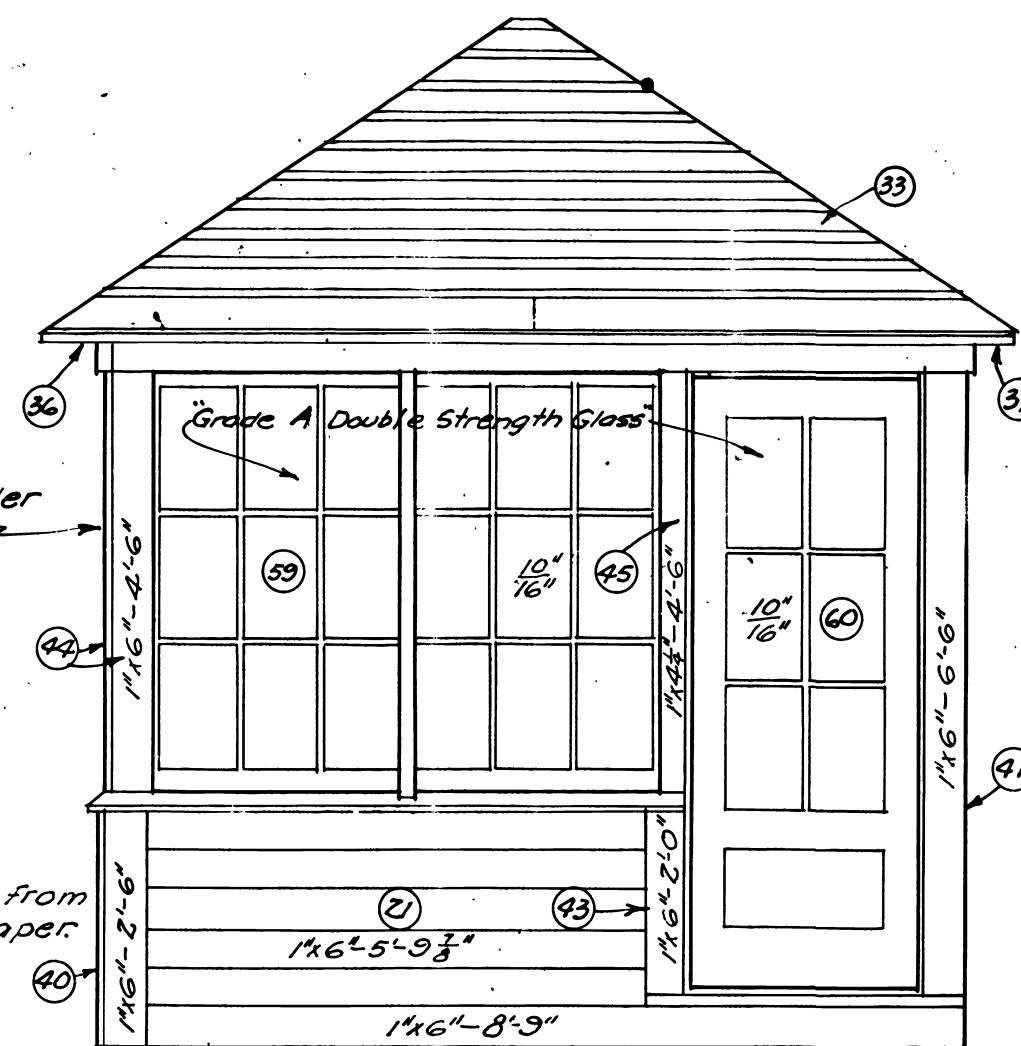
FRONT FRAMING DETAIL  
SCALE:  $\frac{1}{2}$ " = 1'-0"



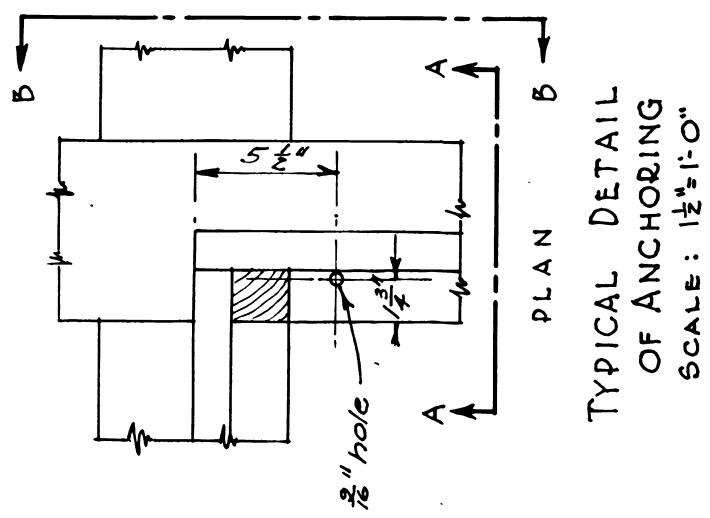
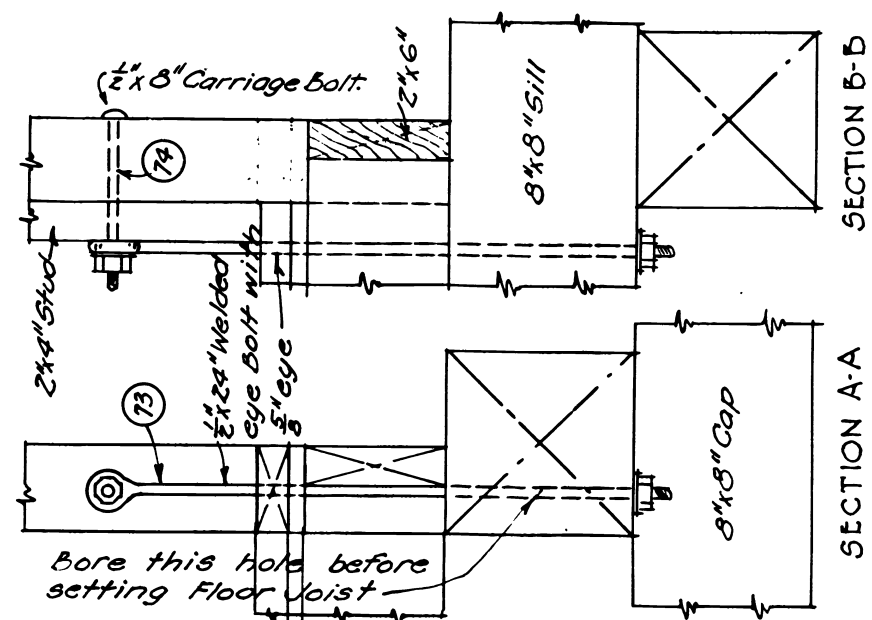
FLOOR PLAN  
SCALE:  $\frac{1}{2}$ " = 1'-0"



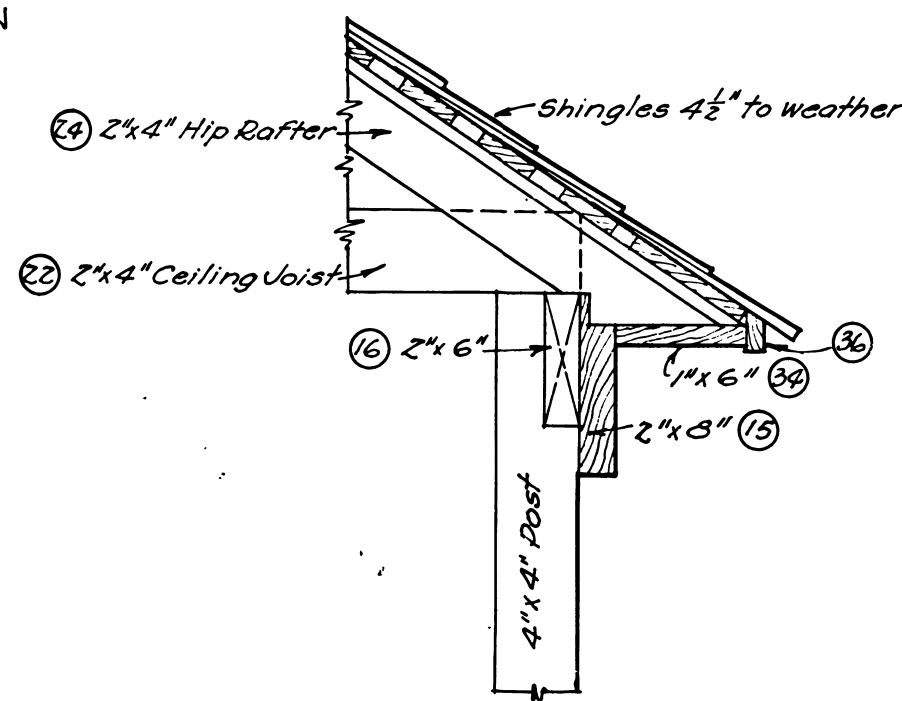
SIDE ELEVATION  
SCALE:  $\frac{1}{2}$ " = 1'-0"



FRONT ELEVATION  
SCALE:  $\frac{1}{2}$ " = 1'-0"



TYPICAL DETAIL OF ANCHORING  
SCALE:  $\frac{1}{2}$ " = 1'-0"



CORNER DETAIL  
SCALE:  $\frac{1}{2}$ " = 1'-0"

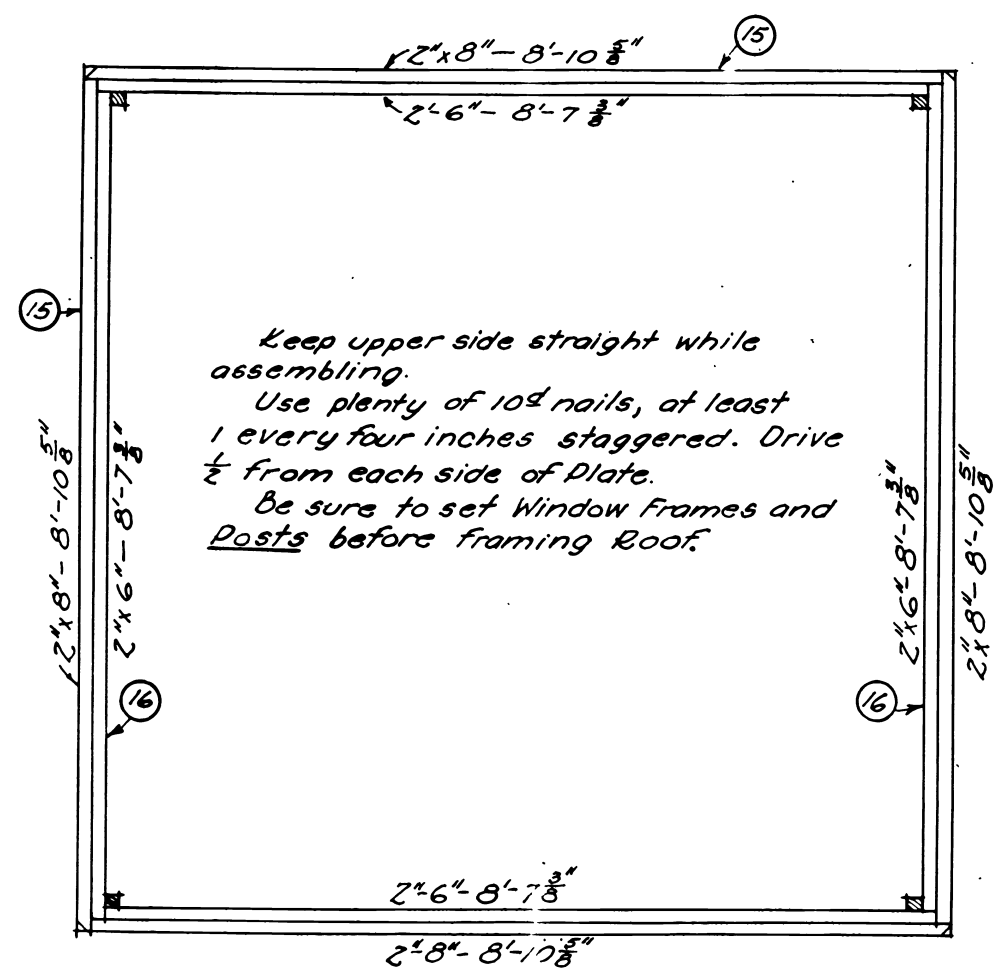
NOTE: Numbers in circles refer to items on Bill of Material.

U. S. DEPT. OF AGRICULTURE  
FOREST SERVICE REGION NO. 1,  
PATROL SHELTER OR TOWER CUPALO  
PLAN L-6 1932 REVISION  
DESIGNED BY OFFICES  
APPROVED BY [Signature]  
REGIONAL FORESTER  
JAN 1932 SHEET 1 OF 6

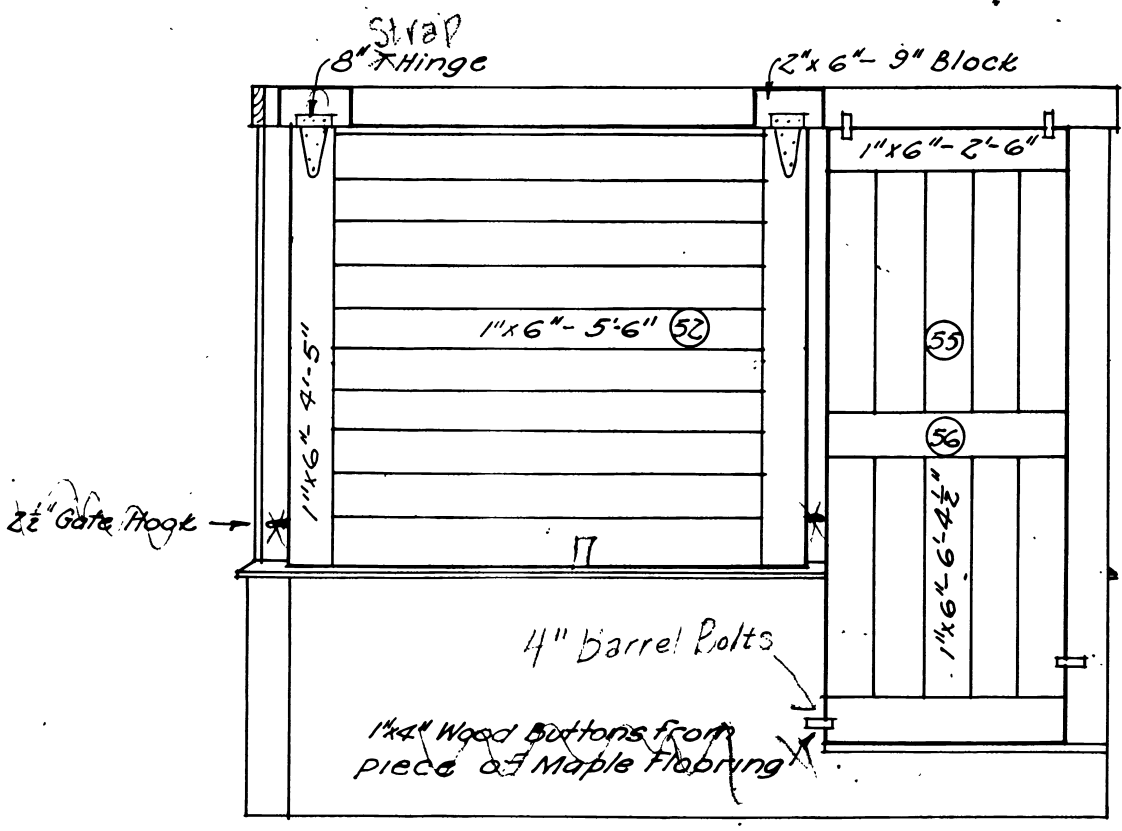
Drawn By H.W. Coughlin  
SP-07-04-01

R1-L6-1-1932

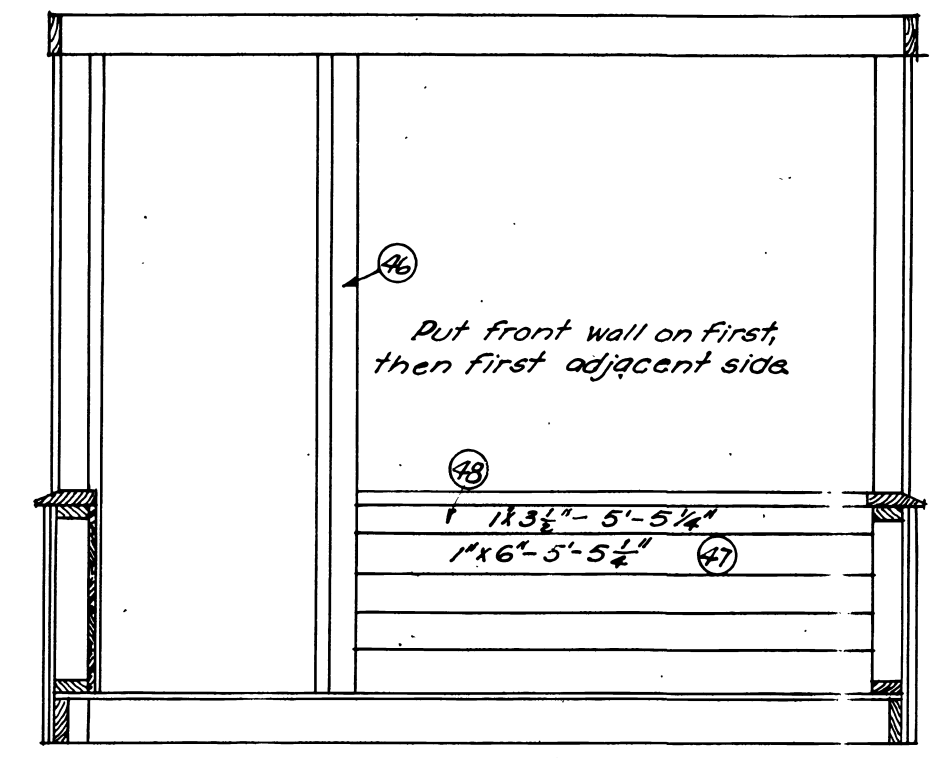
SP-07-04-01



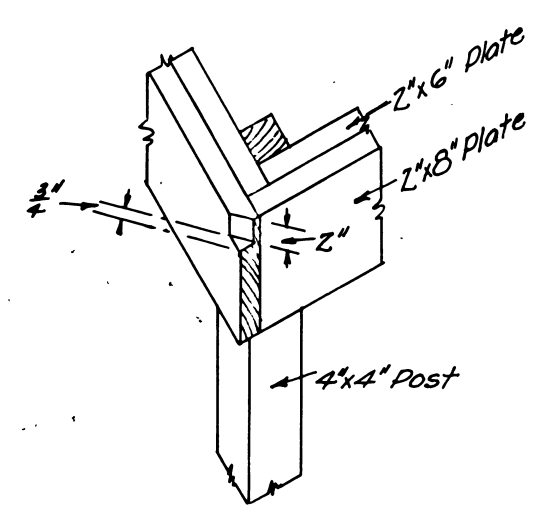
DETAIL OF PLATE  
SCALE: 1/2" = 1'-0"



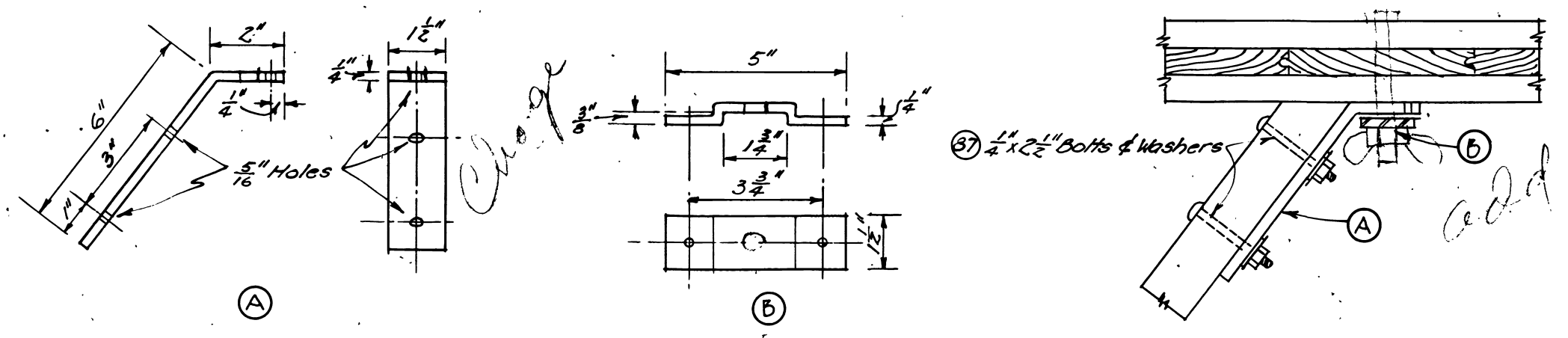
WINDOW SHUTTER DETAIL  
FRONT  
SCALE: 1/2" = 1'-0"



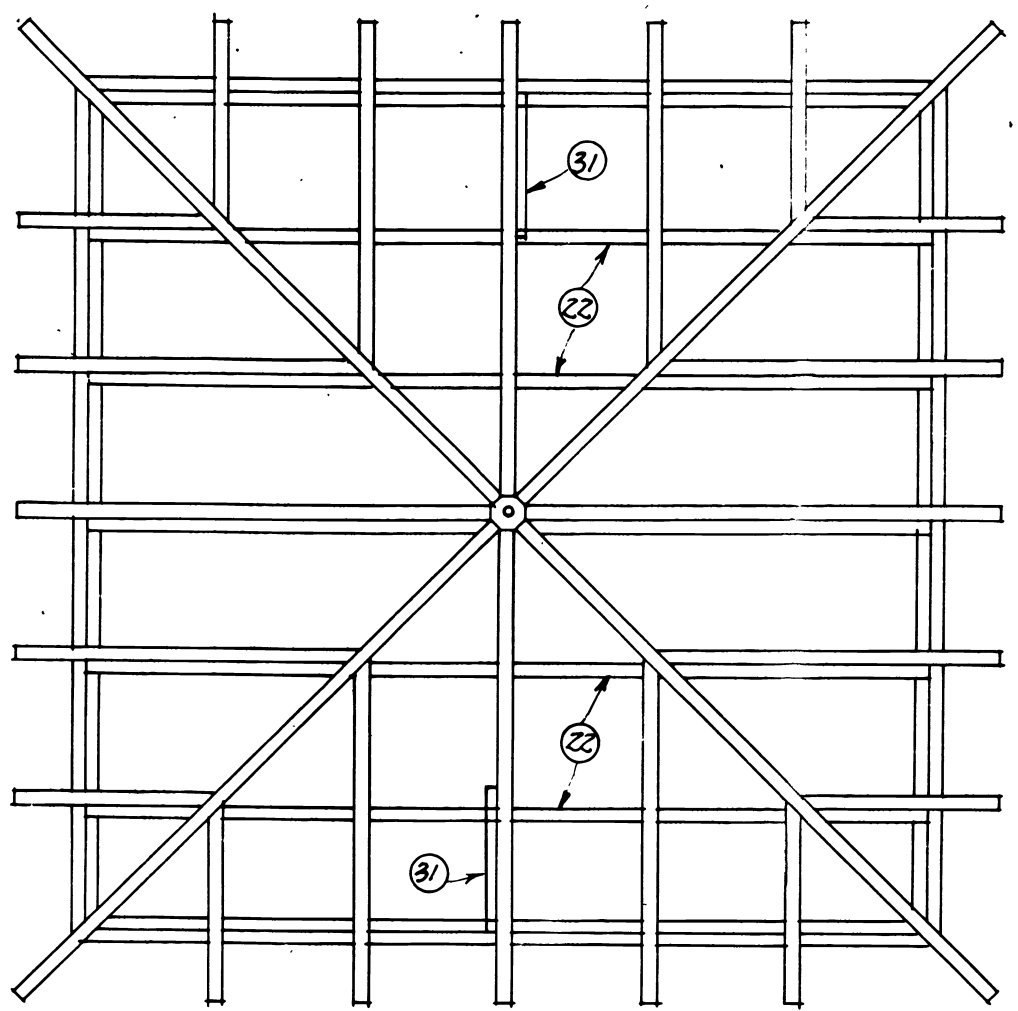
CROSS SECTION SHOWING SHEATHING  
FRONT  
SCALE: 1/2" = 1'-0"



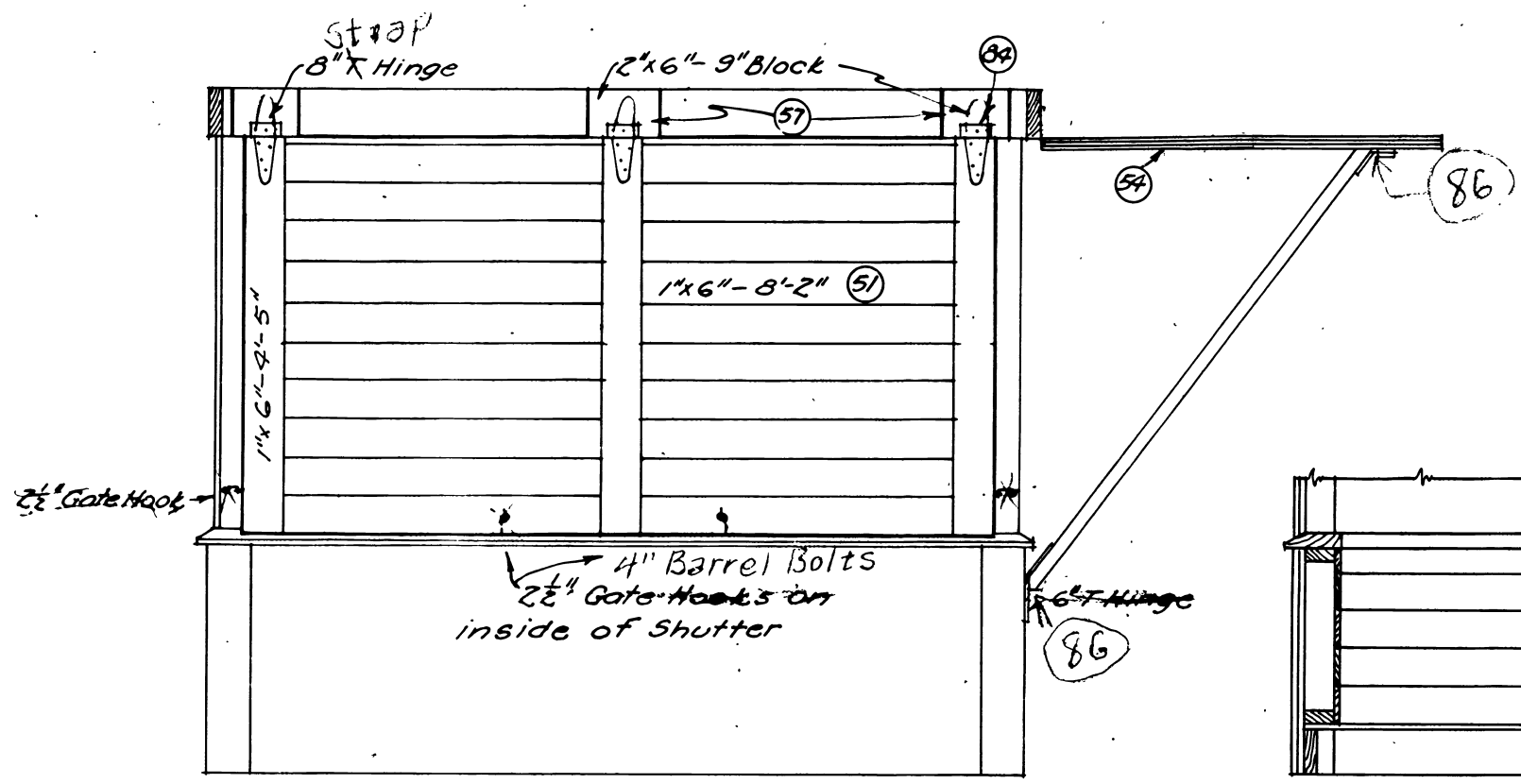
DETAIL OF NOTCH FOR HIP RAFTER



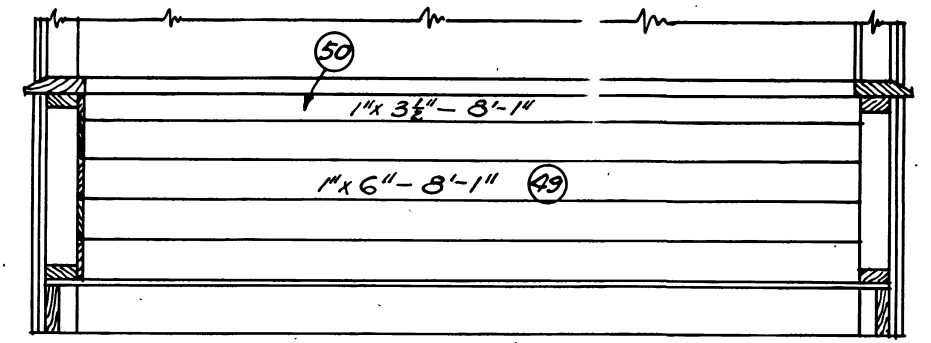
DETAIL OF IRON STRAP FOR SHUTTER BRACE  
SCALE: 3/4" = 1'-0"



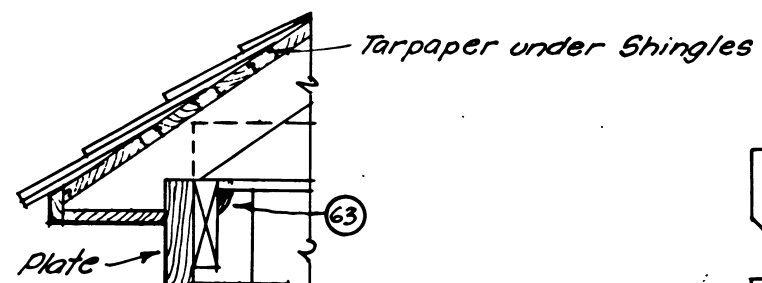
ROOF FRAMING DETAIL  
SCALE: 1/2" = 1'-0"



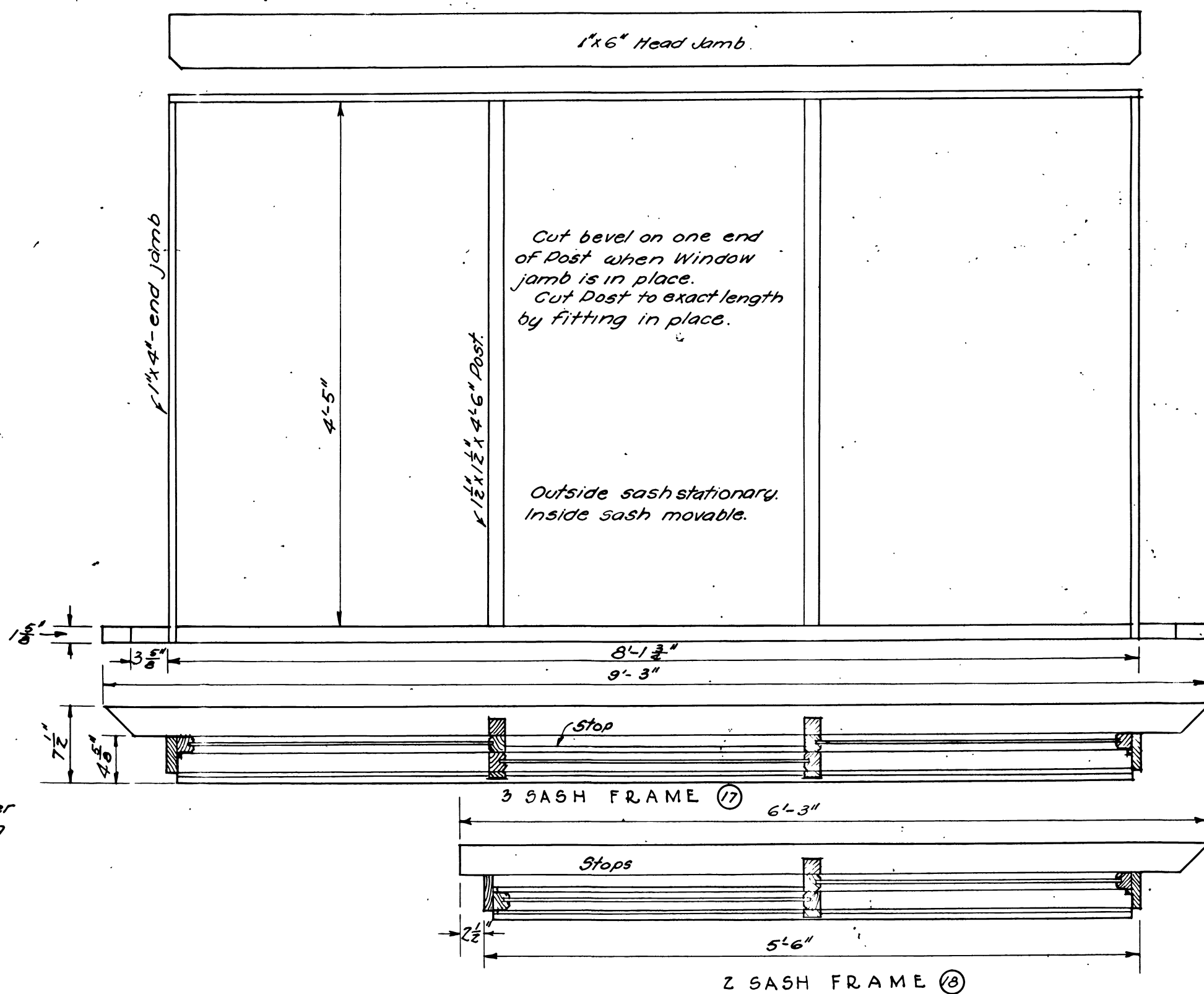
WINDOW SHUTTER DETAIL  
TYPICAL FOR BACK & SIDES  
SCALE: 1/2" = 1'-0"



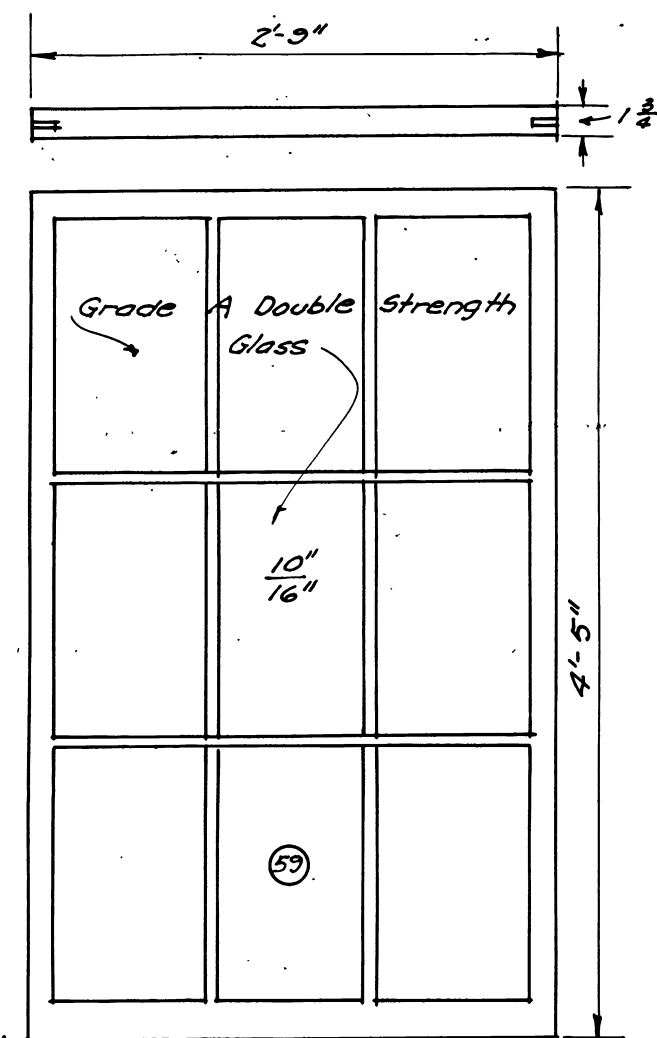
CROSS SECTION SHOWING SHEATHING  
TYPICAL FOR BACK & SIDES  
SCALE: 1/2" = 1'-0"



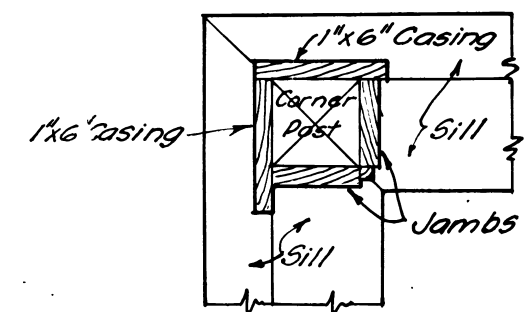
SECTION THRU WALL & WINDOW  
SCALE: 1"=1'-0"



WINDOW FRAMING DETAILS  
SCALE: 1/4"=1'-0"

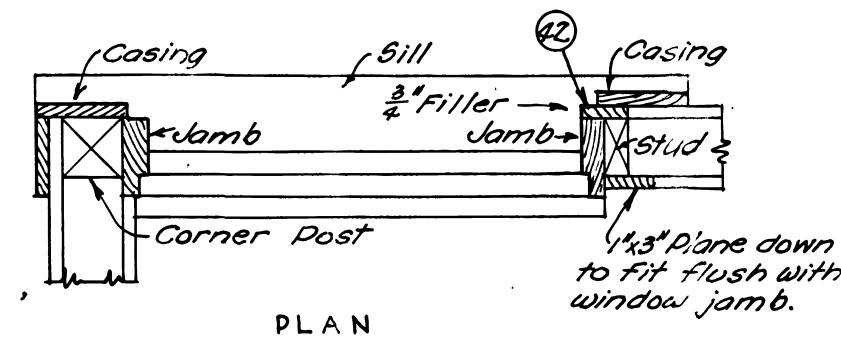


SASH DETAIL  
SCALE: 1"=1'-0"

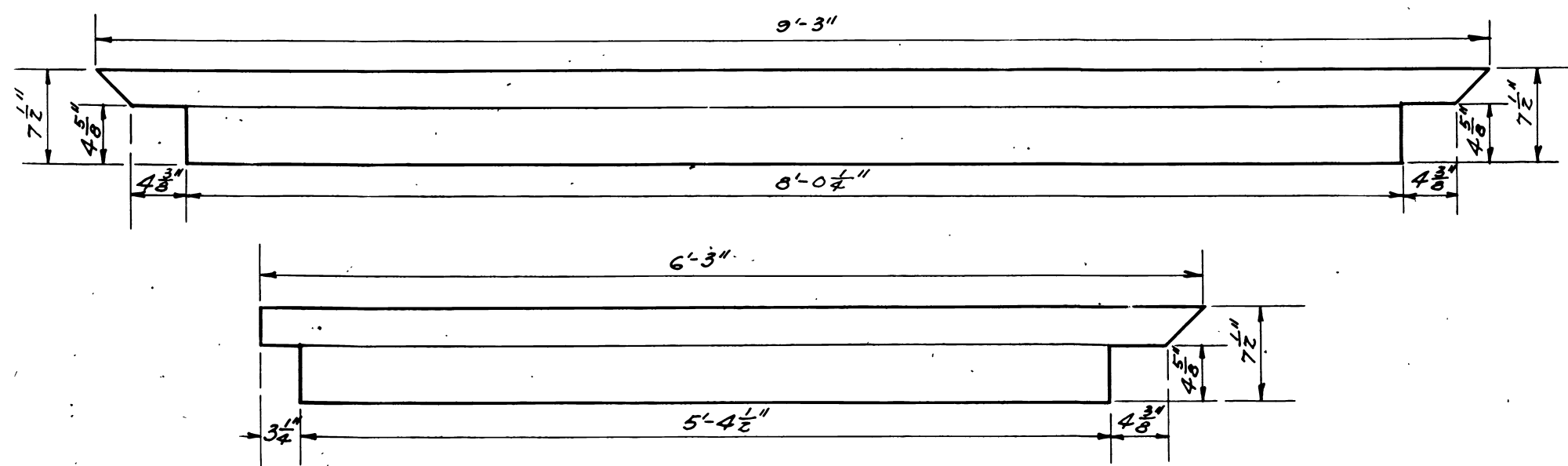


CORNER DETAIL  
SCALE: 1 1/2"=1'-0"

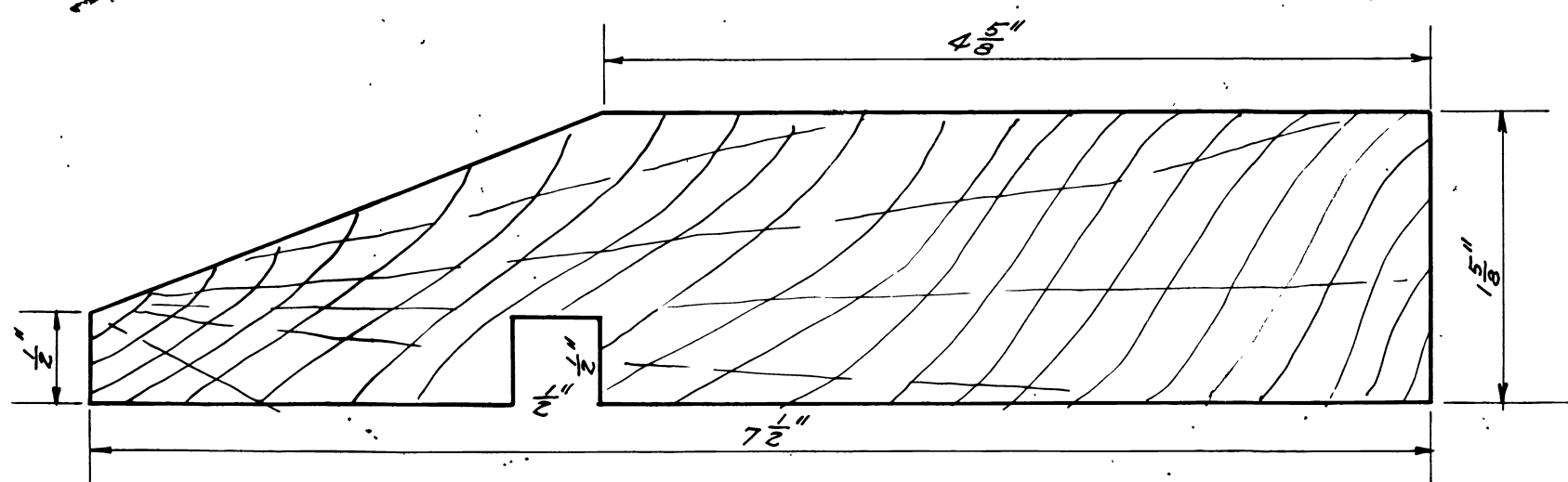
MATERIAL LIST FOR DOOR FRAME					
NO.	PCS.	THICKNESS	WIDTH	LENGTH	DESCRIPTION
1				3'-3"	Door Sill
2		1 3/8"	4 3/8"	6'-7 1/2"	Side Jamb
1		1 3/8"	4 3/8"	2'-5 1/2"	Head "
1				2'-6"	Threshold



PLAN

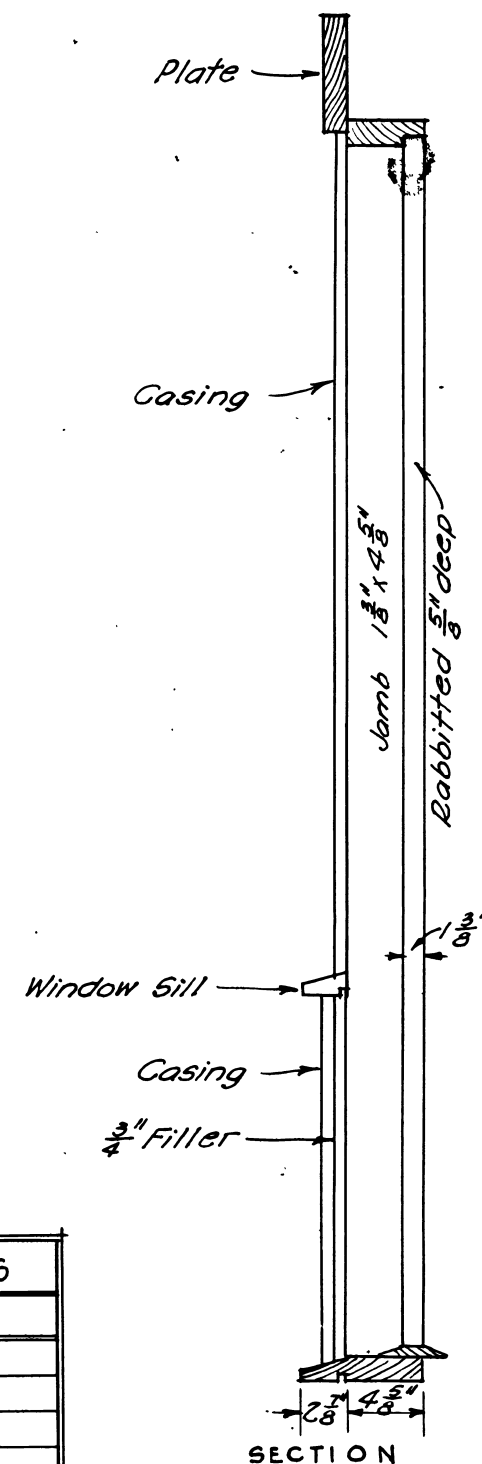


PIECES FOR WINDOW SILL  
SCALE: 1"=1'-0"

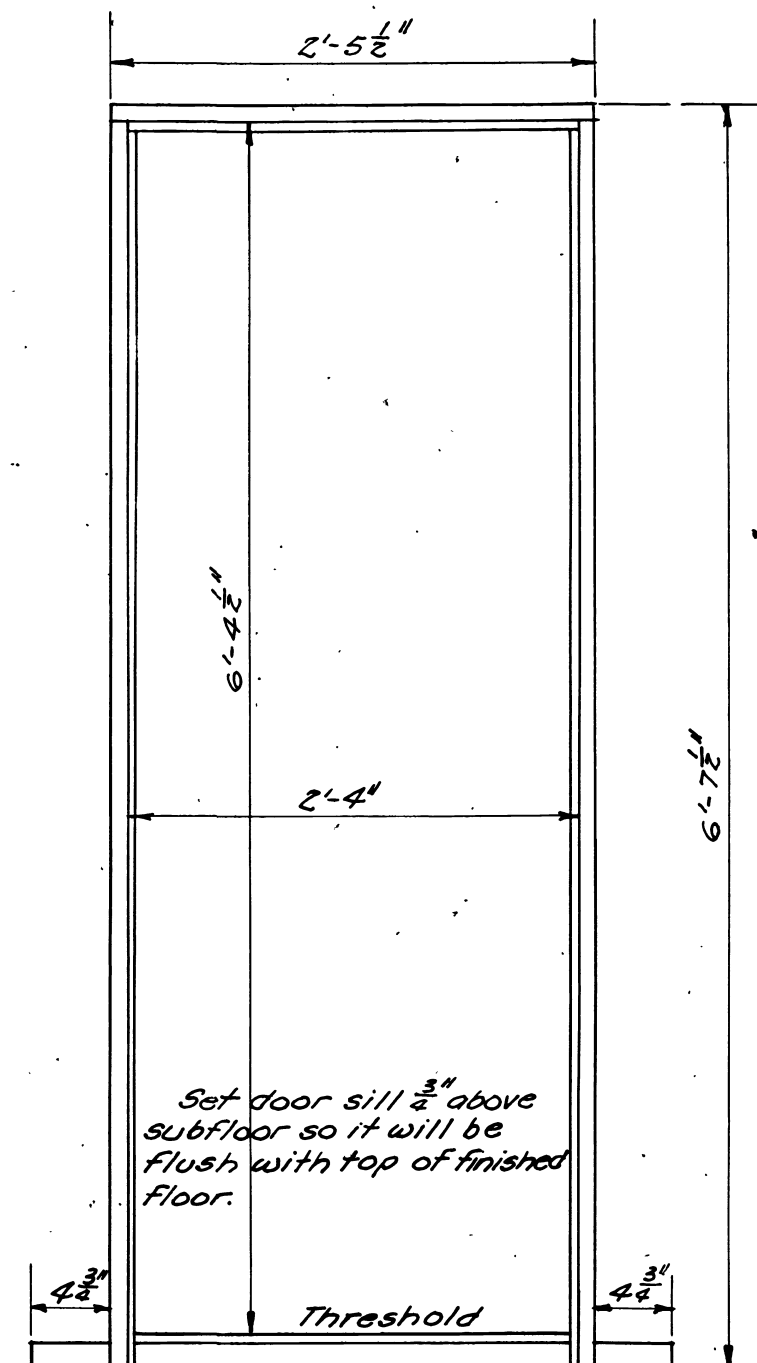


CROSS SECTION OF WINDOW SILL  
FULL SIZE

MATERIAL LIST FOR WINDOW FRAMES					
NO.	PCS.	THICKNESS	WIDTH	LENGTH	DESCRIPTION
3		1 3/8"	7 1/2"	9'-3"	Sill
1		1 3/8"	7 1/2"	6'-3"	"
8		1"	4"	4'-6 3/8"	End Jamb
3		1"	6"	8'-1 3/4"	Head Jamb
7		1 1/2"	1 1/2"	4'-6"	Posts (cut to fit on job)
7		1"	1 1/2"	4'-6"	" " " " " "
16				2'-8"	Stops
12				2'-6"	"
9				4'-5"	"
1				5'-6"	Head Jamb



SECTION



ELEVATION

19 DOOR FRAME DETAIL  
SCALE: 1"=1'-0"

PATROL SHELTER OR TOWER CUPALO

PLAN L-6

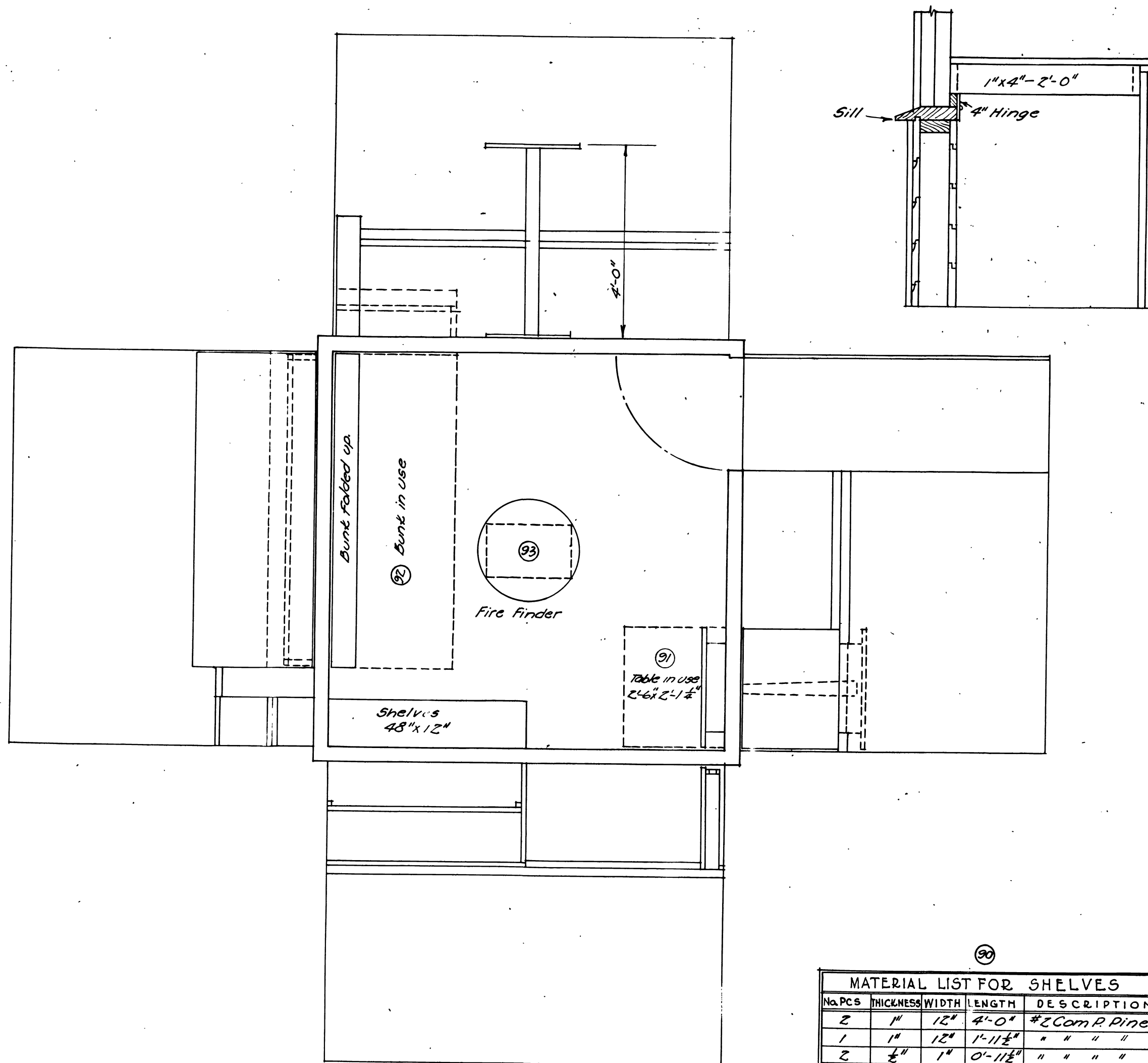
JAN 1932

SHEET 3 OF 6

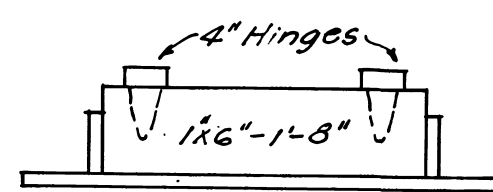
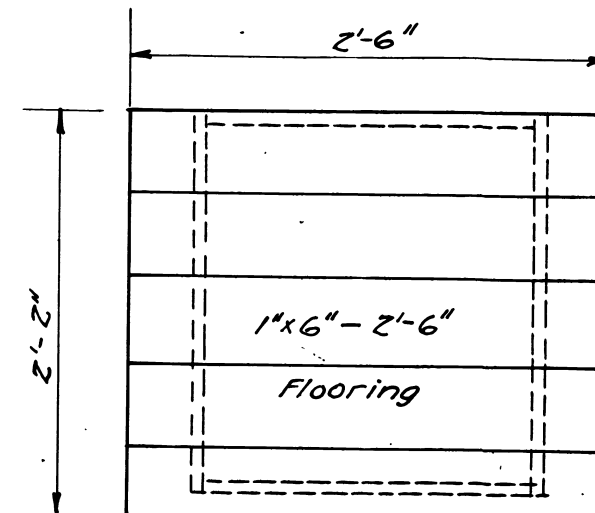
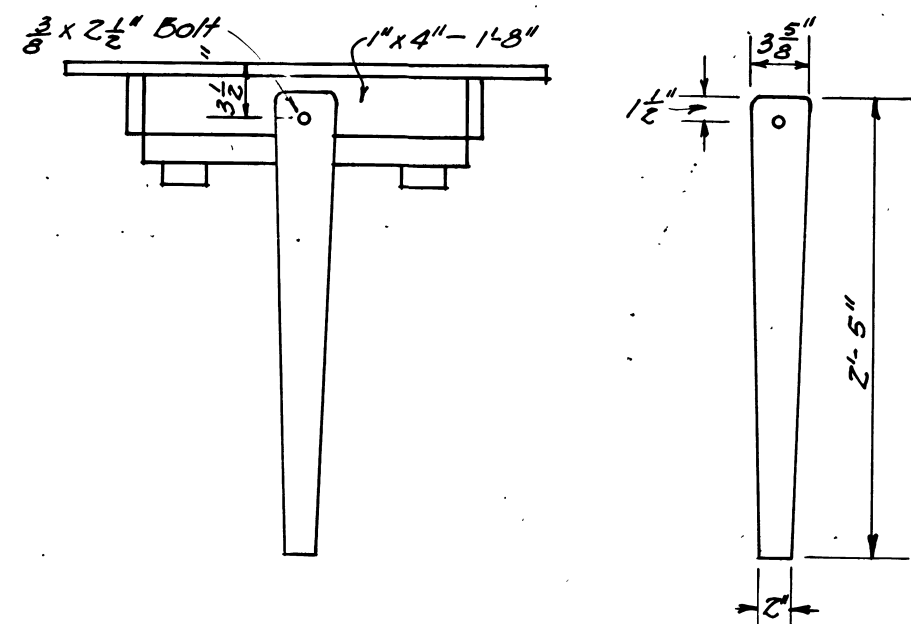
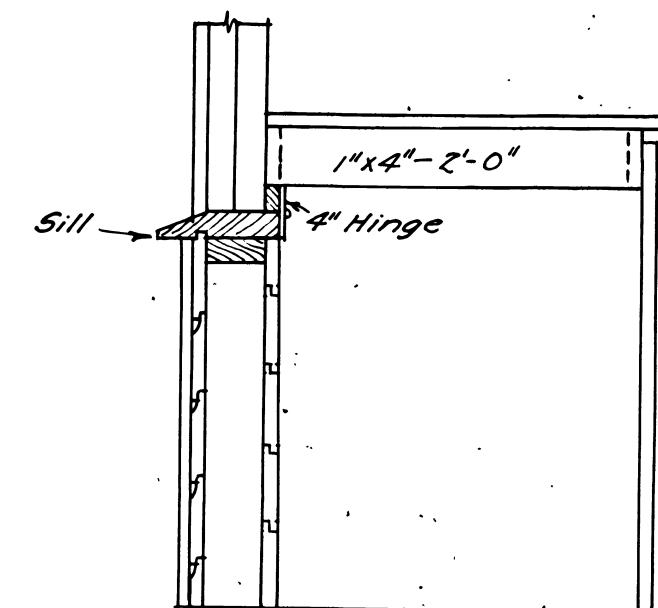
SP-07-04-01

R1-L6-3-1932

D-1-T



LAYOUT OF EQUIPMENT  
SCALE: 1/2" = 1'-0"

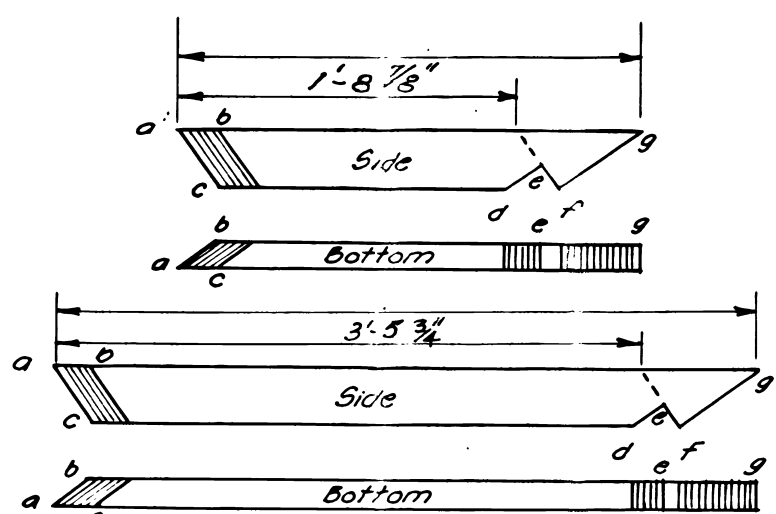


91) DETAIL OF TABLE  
SCALE 1" = 1'-0"

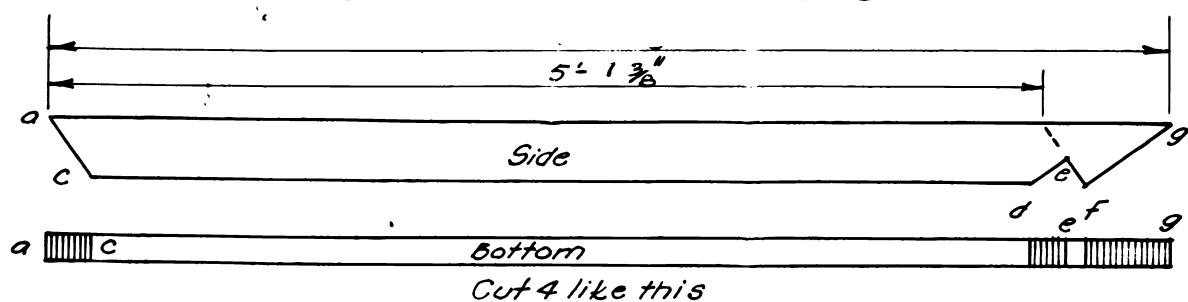
90

MATERIAL LIST FOR SHELVES				
No. PCS	THICKNESS	WIDTH	LENGTH	DESCRIPTION
2	1"	12"	4'-0"	#2 Com. P. Pine
1	1"	12"	1'-11 1/2"	" " " "
2	1/2"	1"	0'-11 1/2"	" " " "

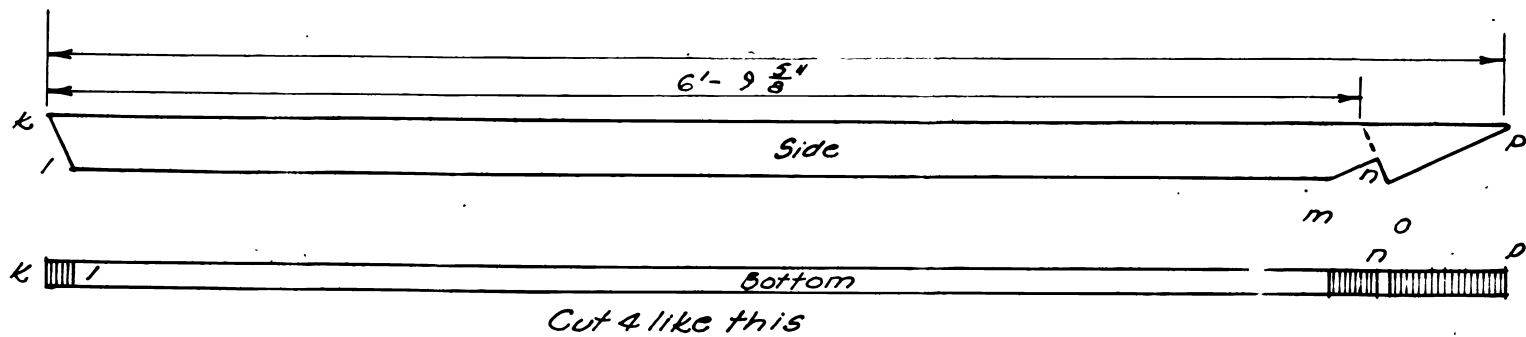
MATERIAL LIST FOR TABLE				
No. PCS	THICKNESS	WIDTH	LENGTH	DESCRIPTION
5	1"	6"	2'-6"	#2 Com. P. Pine CM
2	1"	4"	2'-0"	" " " " "
1	1"	4"	1'-8"	" " " " "
1	1"	6"	1'-8"	" " " " "
1	1"	4"	2'-5"	" " " " (Legs)
1 Pr.	4"	T Hinges		
1	3/8"	2 1/2"	Carriage Bolt with washers	



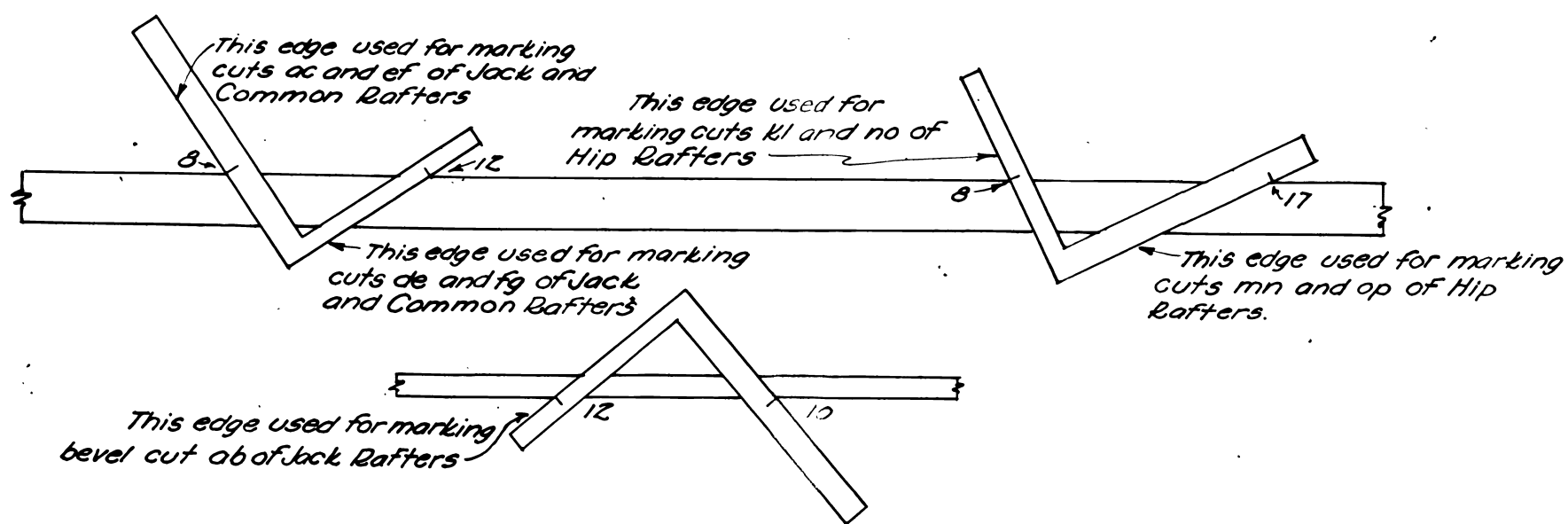
Cut 4 of each with bevel on right side & 4 of each with bevel on left side.  
 (26) (27) JACK RAFTERS (26) (27)



(25) COMMON RAFTERS

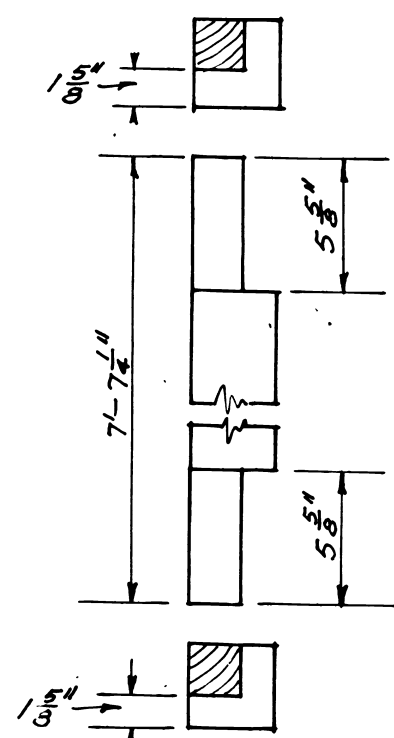


(28) HIP RAFTERS.

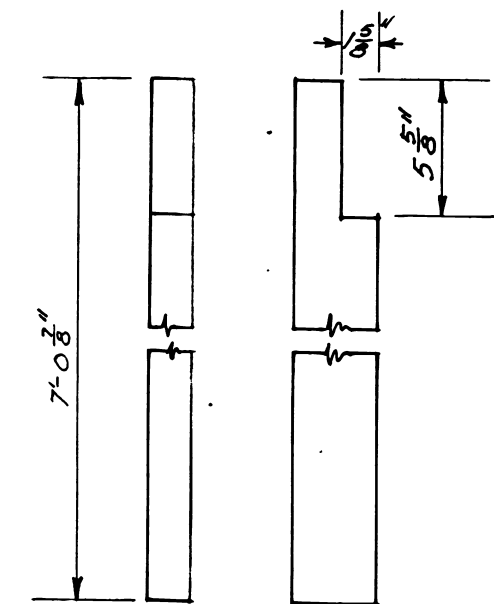


Make specified inch graduations coincide with edge of 2"x4" timber and rule along outside edge of steel square

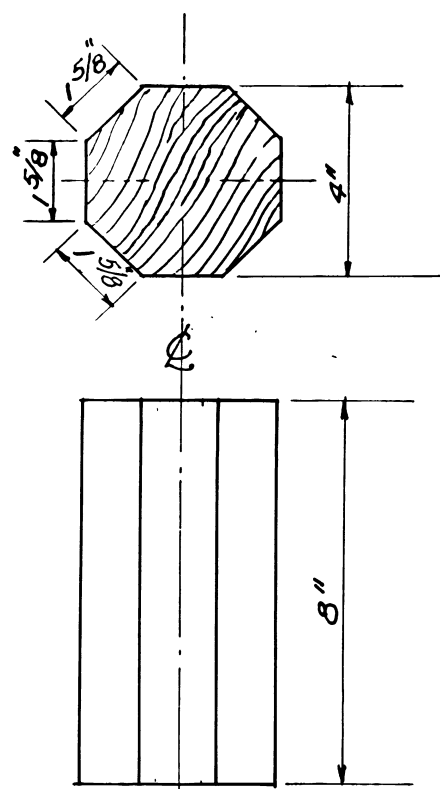
RAFTER CUTLINES MADE WITH CARPENTERS SQUARE



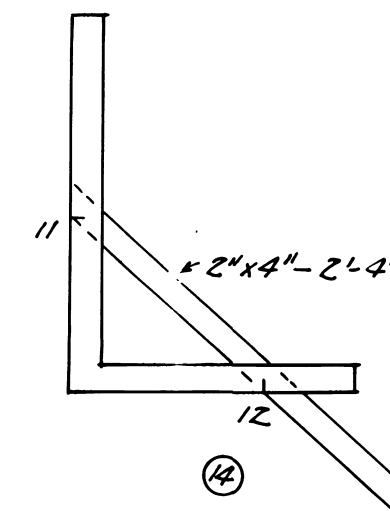
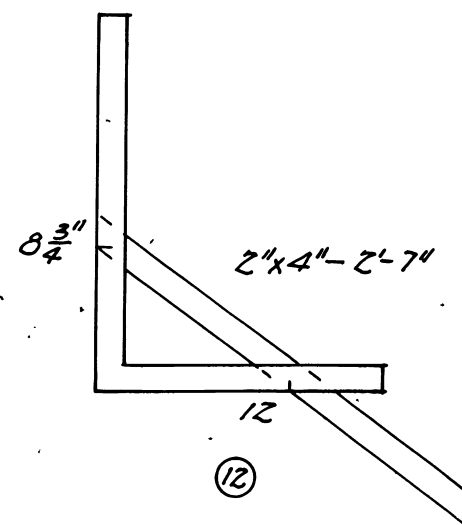
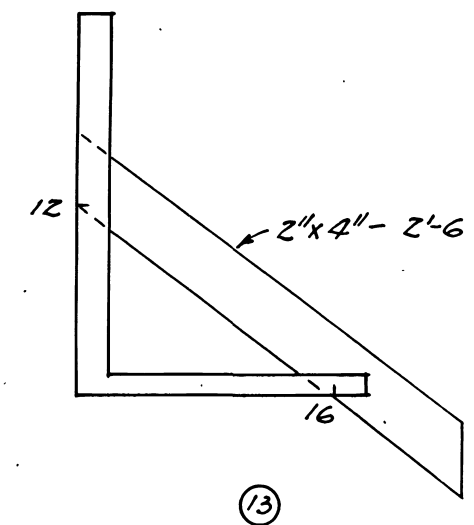
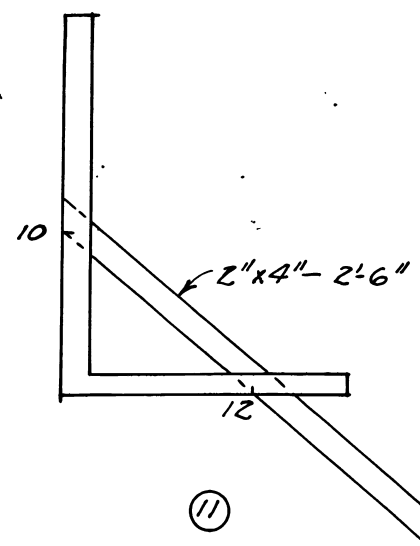
(29) DETAIL OF CORNER POST  
 SCALE: 1 1/2" = 1'-0"



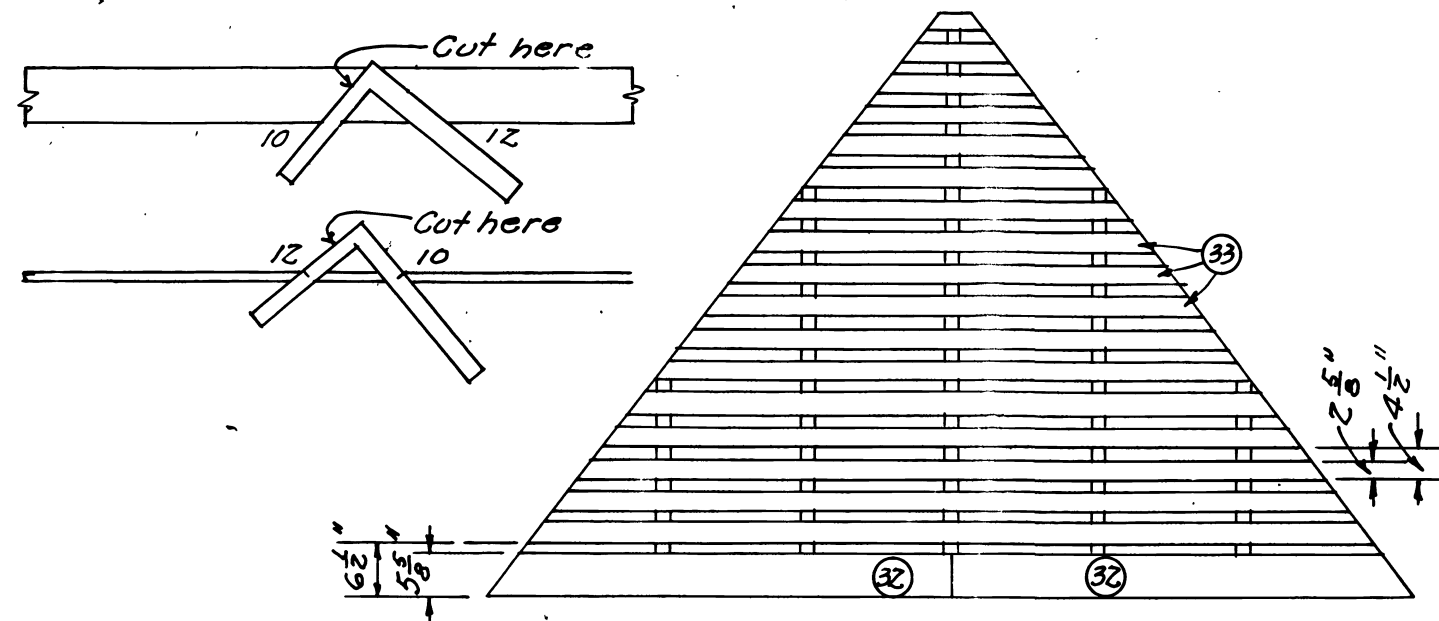
(30) DETAIL OF STUD AT DOOR  
 SCALE: 1 1/2" = 1'-0"



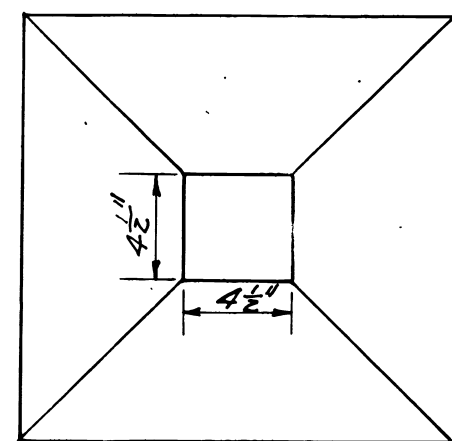
(31) HIP ROOF BLOCK  
 SCALE: 3/4" = 1'-0"



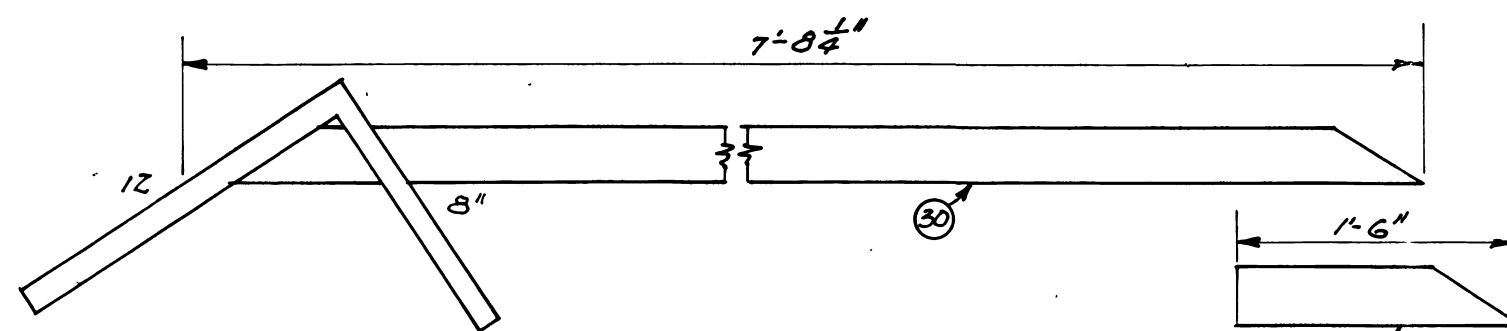
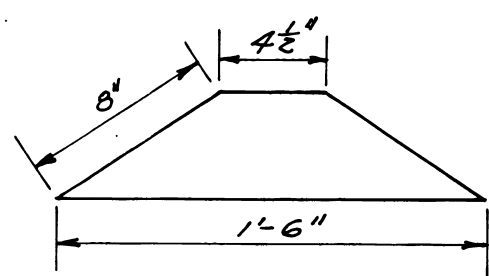
CUT FOR DIAGONAL BRACES



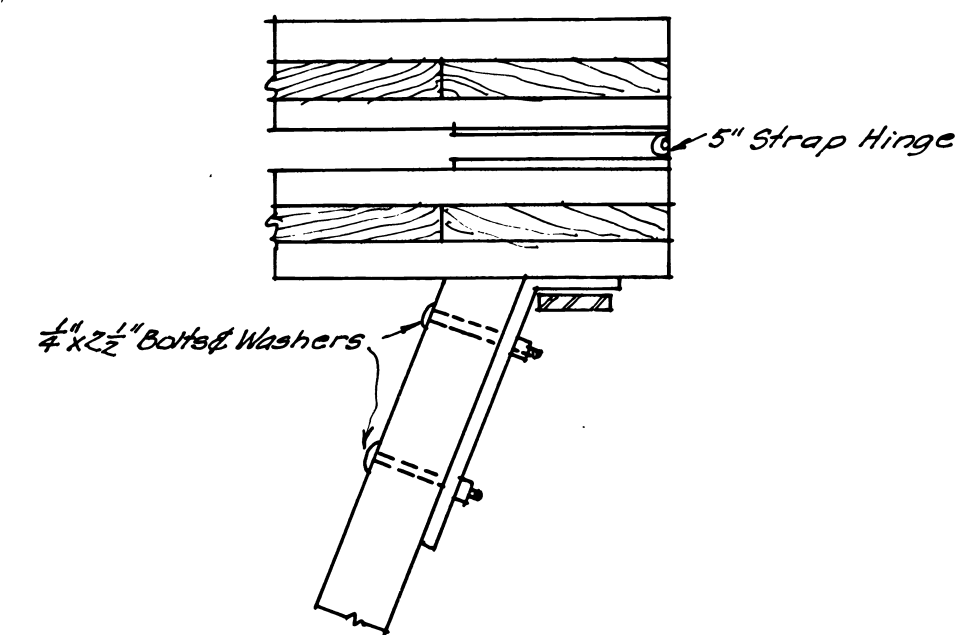
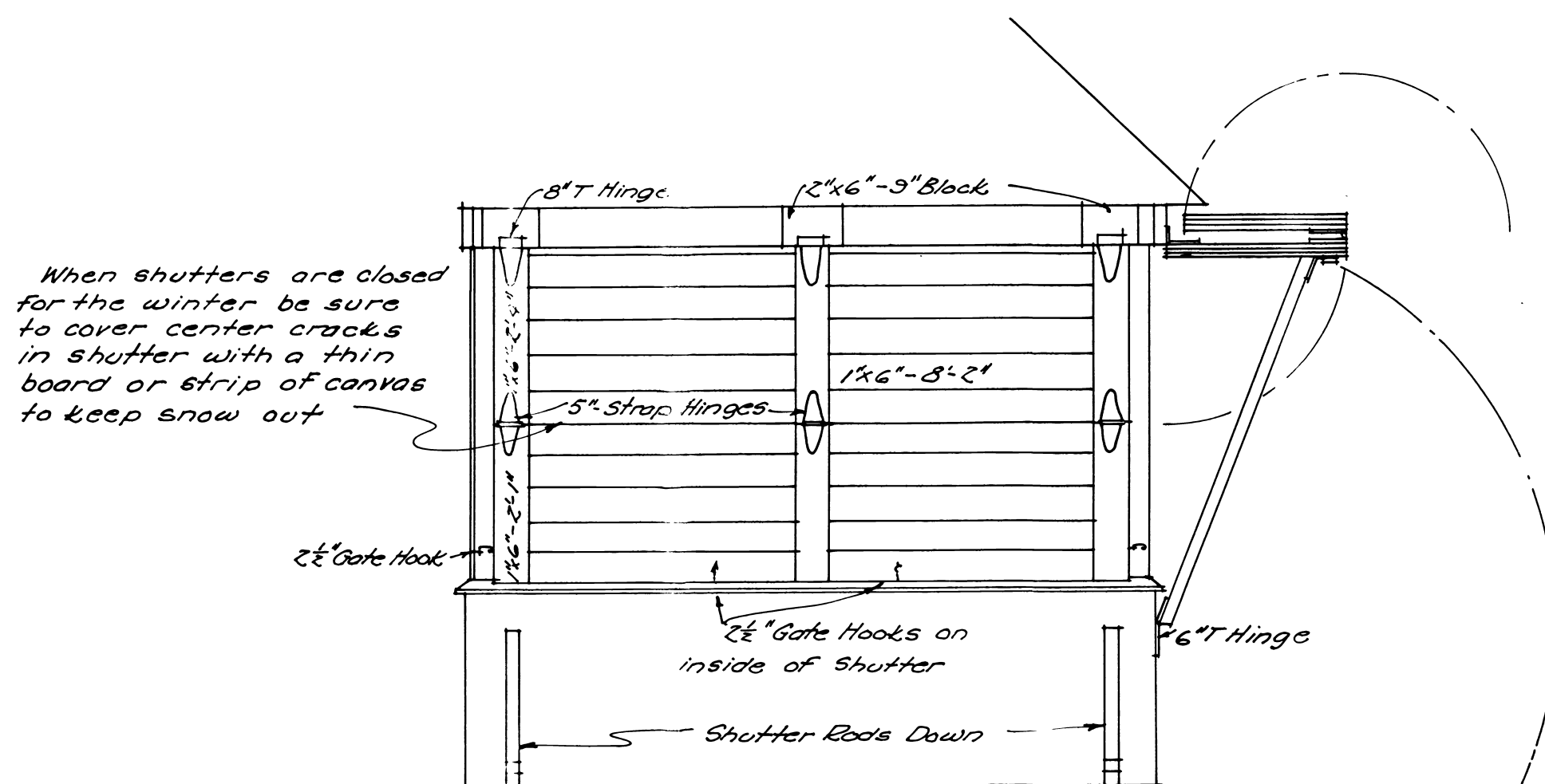
DETAIL OF CUT FOR ROOF SHEATHING  
 SCALE: 1/2" = 1'-0"



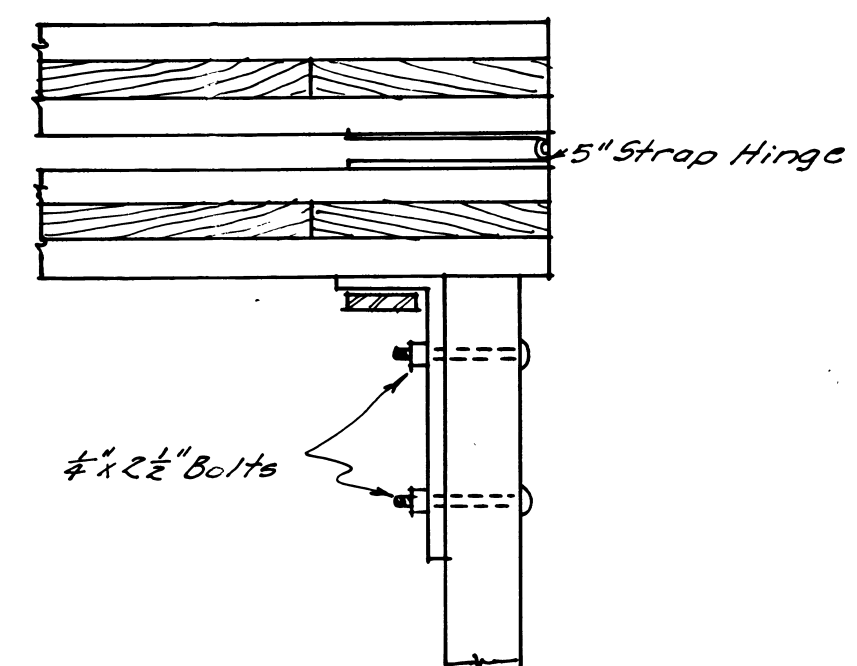
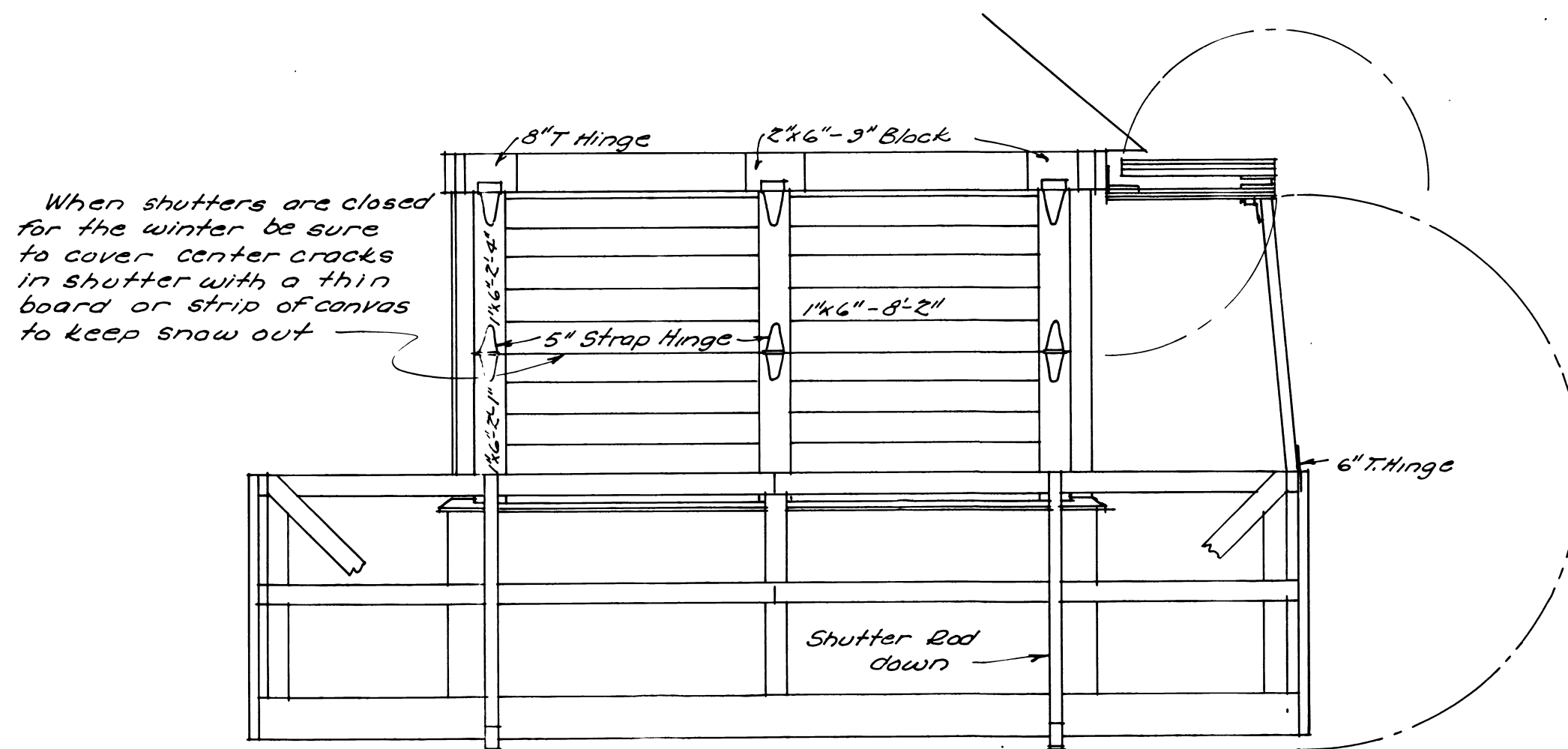
(37) HIP ROOF FINIAL  
 ZOGAUGE GALVANIZED IRON  
 SCALE: 1 1/2" = 1'-0"



DETAIL OF RAFTER TIE & SCABS  
 SCALE: 1" = 1'-0"



SHUTTER DETAILS OF HOUSE NOT ON TOWER



SHUTTER DETAILS OF HOUSE ON TOWER

NOTE 3/15/32  
 Due to recent advice from the Bureau of Standards it is necessary that the shutters on the Lookout House do not project outward more than half their width.  
 All shutters on houses built prior to 1932 must be remodeled in accordance with this plan.

SUPPLEMENTAL SHEET  
 FOR L-6

MAR. 1932

SHEET 6 OF 6

SP-07-04-01

R1-L6-6-1932