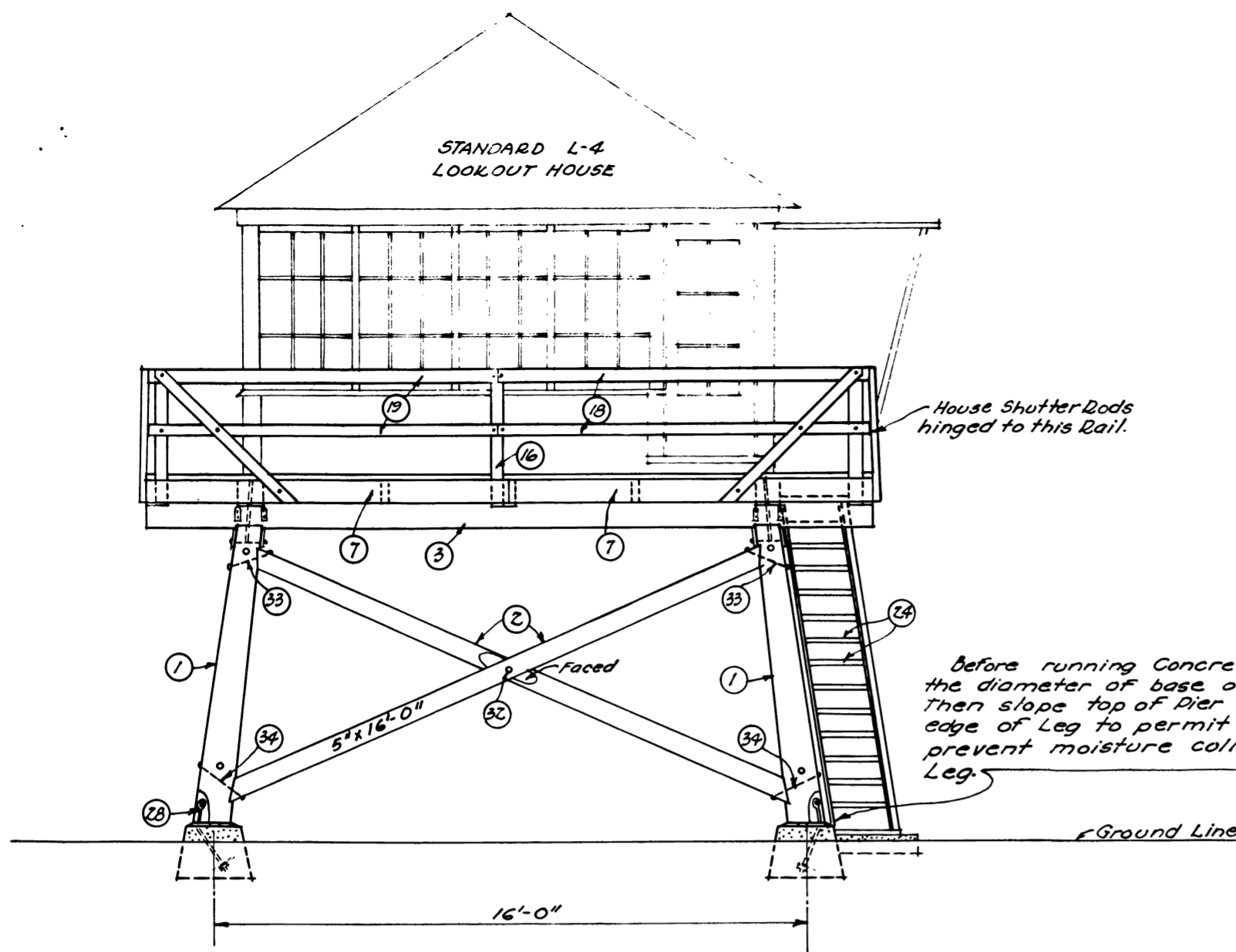


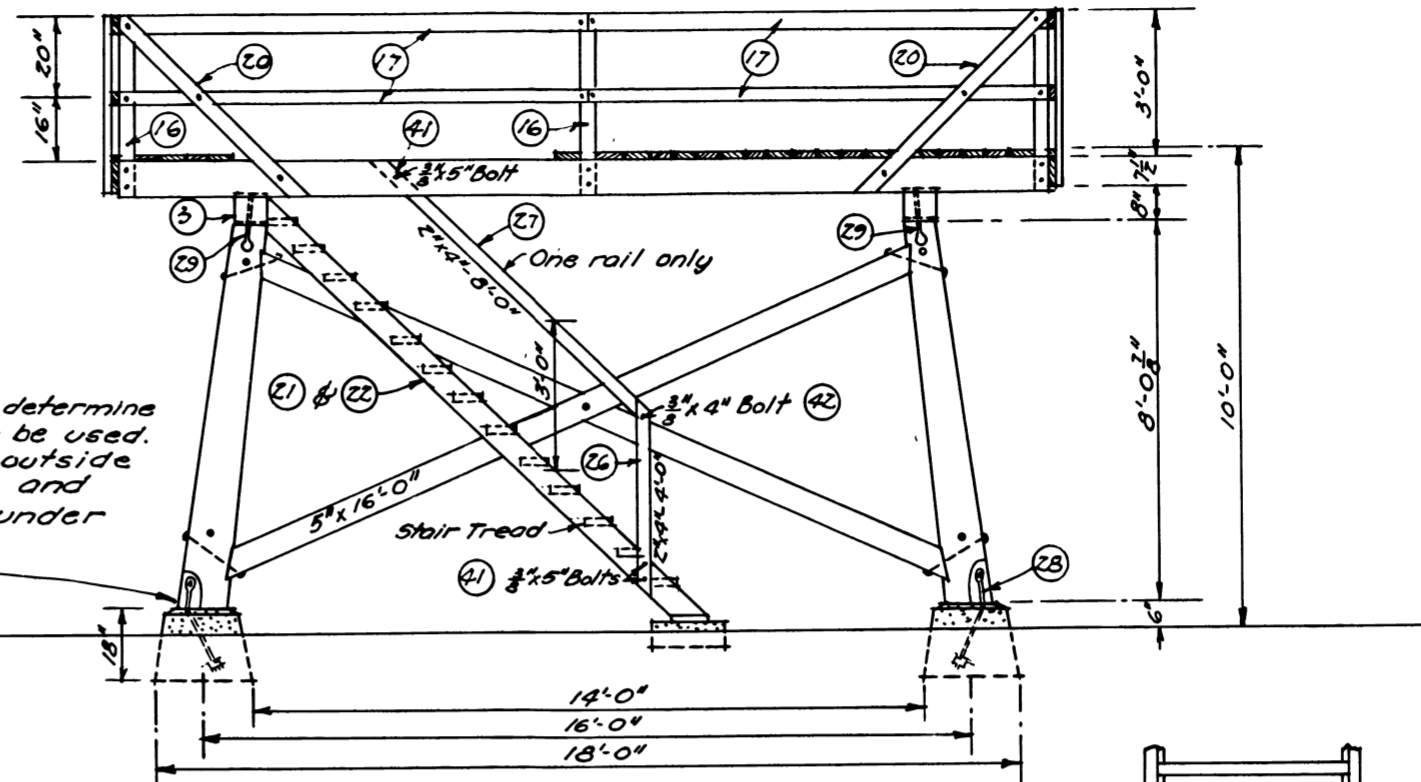
STANDARD L-4
LOOKOUT HOUSE

NOTE:

All logs and poles to be peeled. All bolt holes and contact surfaces to be treated with creosote before assembly. Tower House and Platform to be painted. Bolts to be purchased standard, threads on all long bolts to be run down approx. 4"

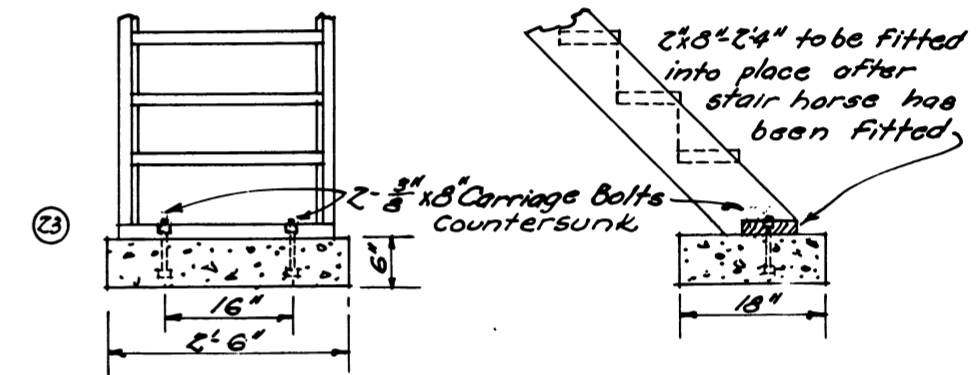


FRONT ELEVATION

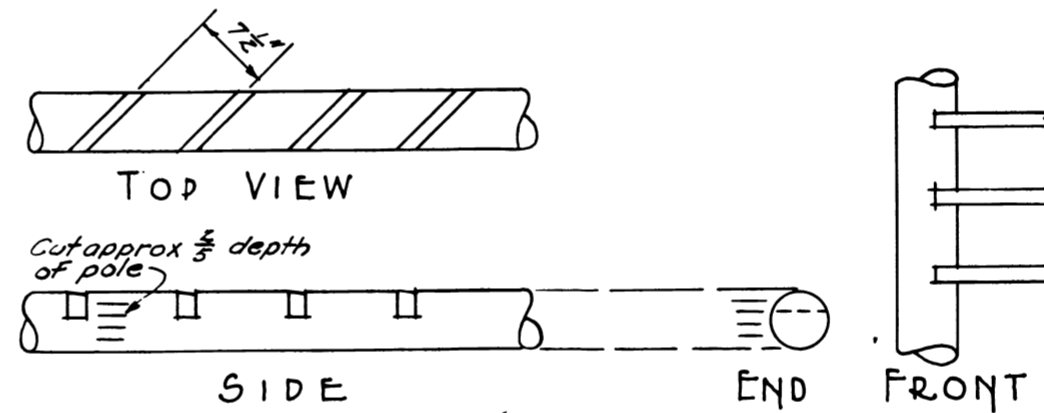
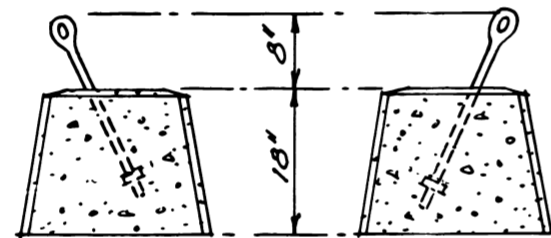
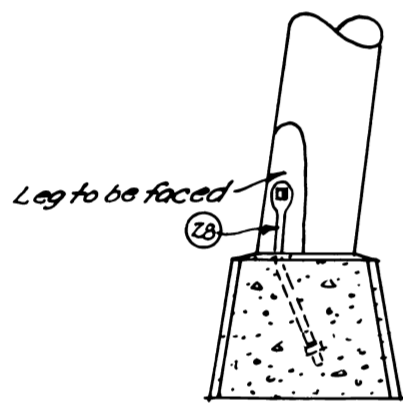


SIDE ELEVATION

NOTE: If round material is used for tower platform frame, the pieces need to be faced on top side only and dapped at bearing point on under side. The 2"x8" joist will be only 7 1/2" so that sills must be dapped a sufficient depth on cap to allow joist to fit perfectly.



DETAIL OF FOOTING FOR STAIR HORSE



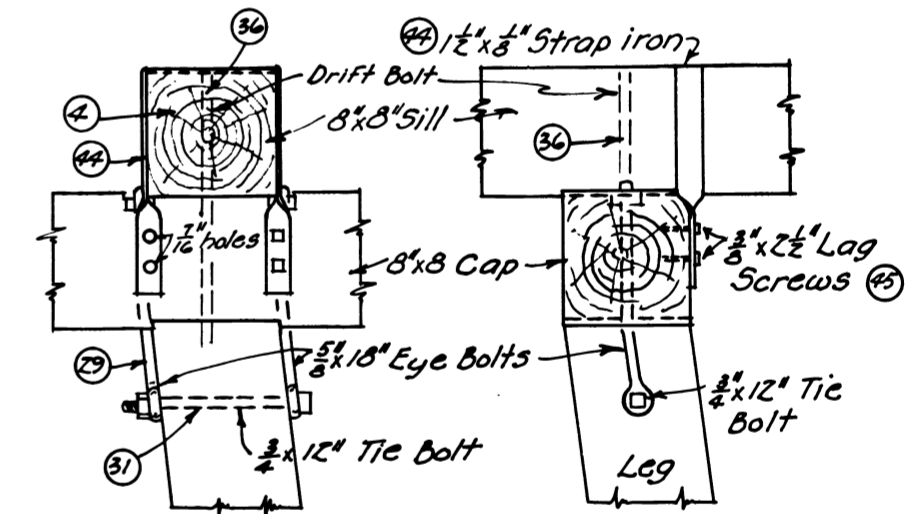
TOP VIEW

SIDE

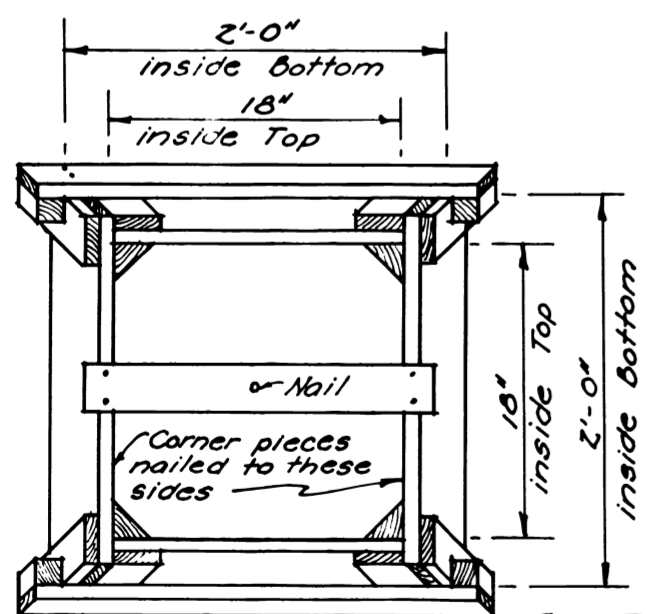
END FRONT

PIER DETAILS

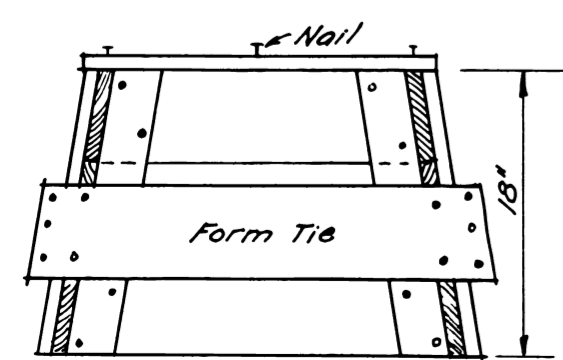
NOTE: This method of making stair horses may be used. Poles approx. 7" in diameter are used. The cuts for treads are sawed approx. 2/3 the depth of the pole by using an improvised miter box, the 1/2" chip is chiseled out and the tread spiked into cut.



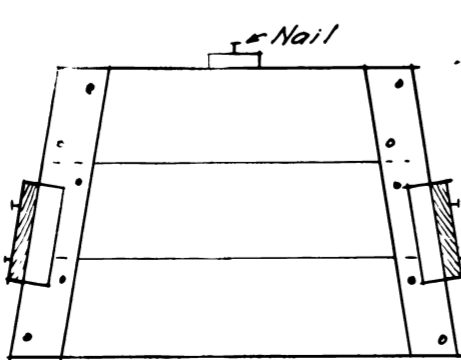
DETAIL OF LEG TOPS



TOP



FRONT



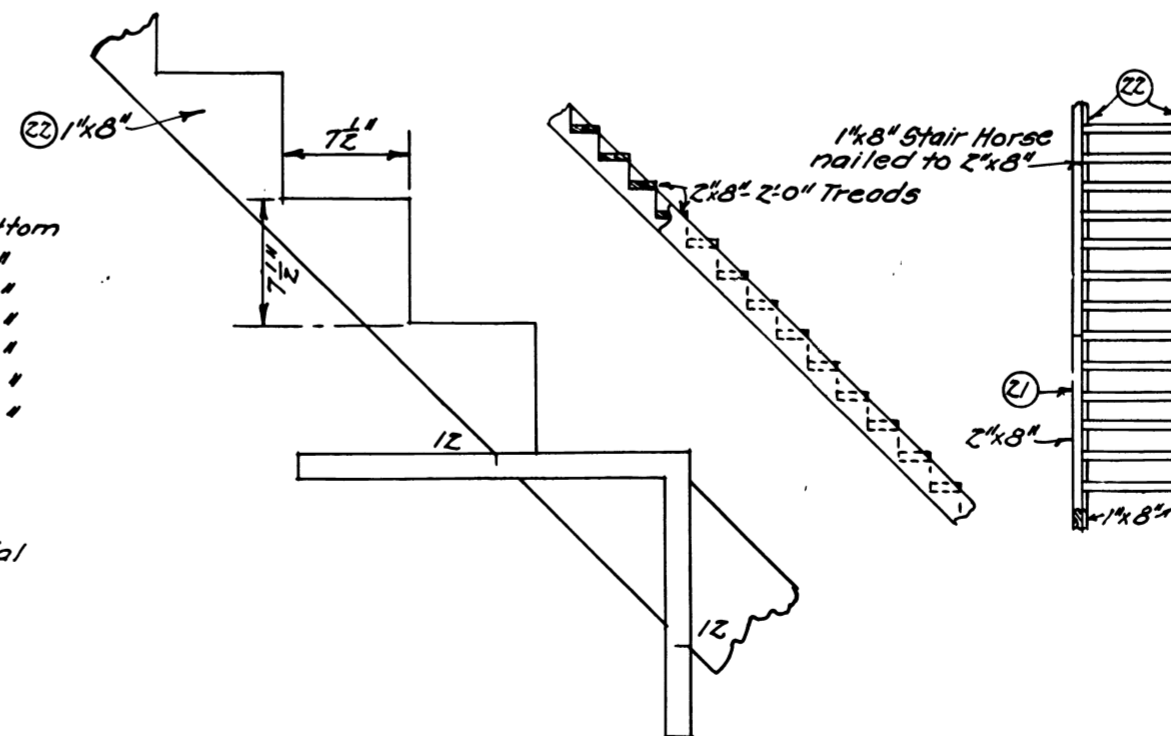
SIDE

PIER FORMS 36

MATERIAL LIST FOR FORMS

8 pcs.	1x6	#2 Com	S4S	Cut 1'-5" Top - 1'-11" Bottom
8 "	"	"	"	14 1/2" - 2'-1"
8 "	"	"	"	2'-1" - 2'-3"
8 "	"	"	"	1'-6" - 1'-8"
8 "	"	"	"	1'-8" - 1'-10"
8 "	"	"	"	1'-10" - 2'-0"
8 "	"	"	"	2'-4" - 2'-6"
32 "	1x2	"	"	1'-6"
16 "	2x2	"	"	6"
16 "	2x2	Diagonal Strip	"	1'-6"

(Pier forms to be furnished on special requisition only.)



STAIR DETAILS

NOTE: Numbers in circles refer to item numbers on material list.

U. S. DEPT. OF AGRICULTURE
FOREST SERVICE REGION NO. 1
LOOKOUT TOWER
WITH LIVING QUARTERS
FOR USE WITH PLAN L-4
PLAN L-7

DESIGNED BY C. R. FICKER & J. B. HALM

APPROVED BY *Frank J. Jensen*
Acting Assistant Regional Forester

Old Plan T-10
Changed 8/1/39
Drawn By H. W. Coughlan

FEB. 1932

SHEET 1 OF 2

SP-07-05-01

R1_L7-1-1932

