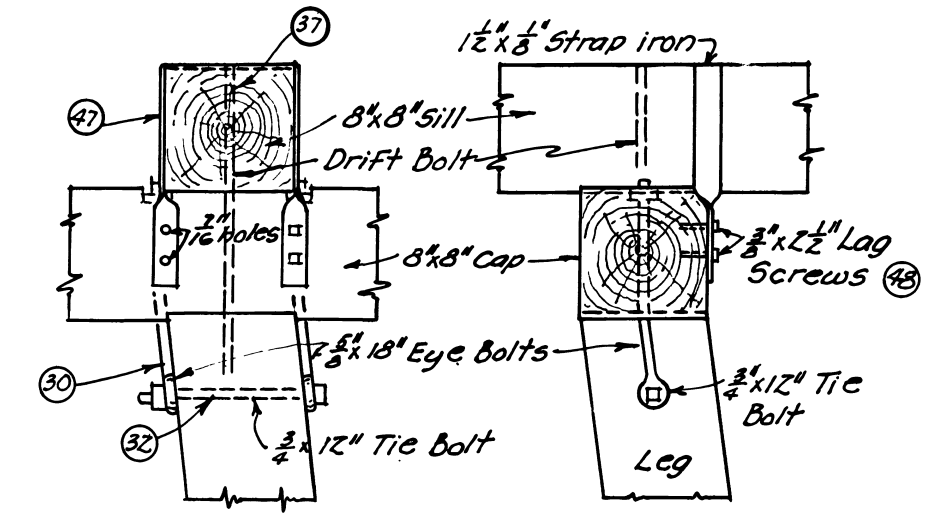


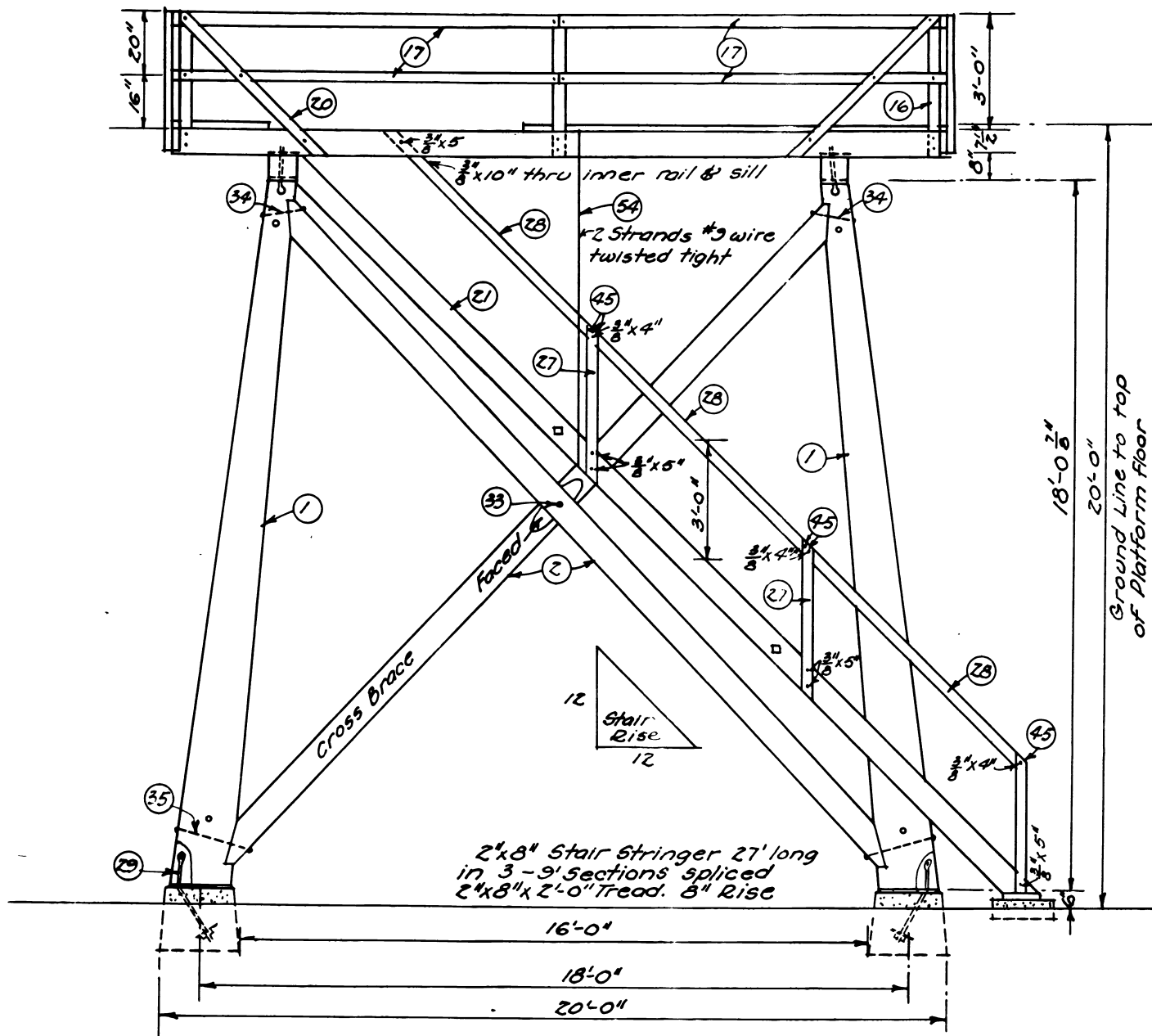
NOTE:

All logs and poles to be peeled. All bolt holes and contact surfaces to be treated with creosote before assembly. Tower House and Platform to be painted. Bolts to be purchased standard, threads on all long bolts to be run down approx 4".

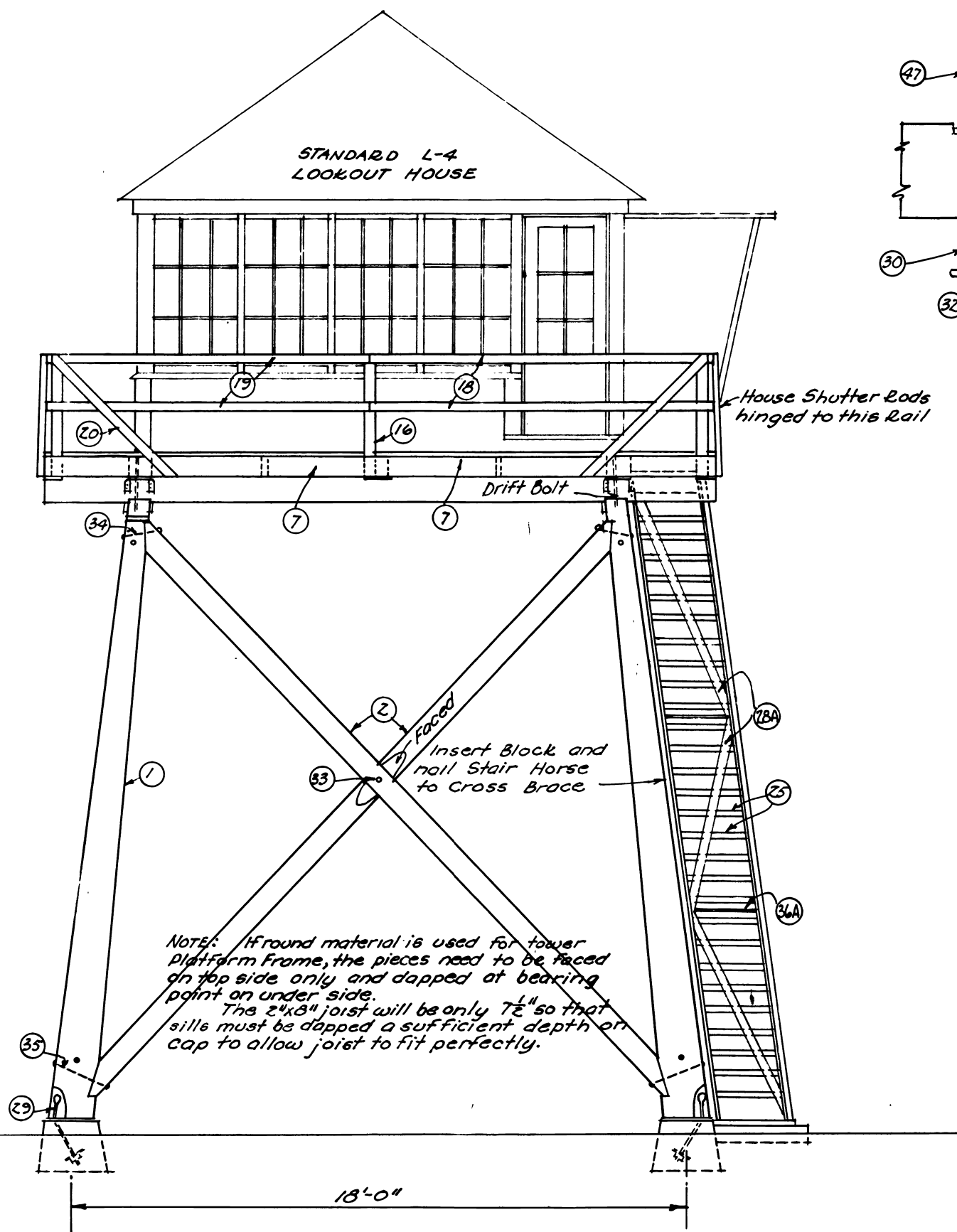
Before pouring concrete piers determine the diameter of base of Leg to be used. Then slope top of pier $\frac{1}{2}$ " from outer edge of Leg to permit drainage and prevent moisture collecting beneath Leg.



DETAIL OF LEG TOPS

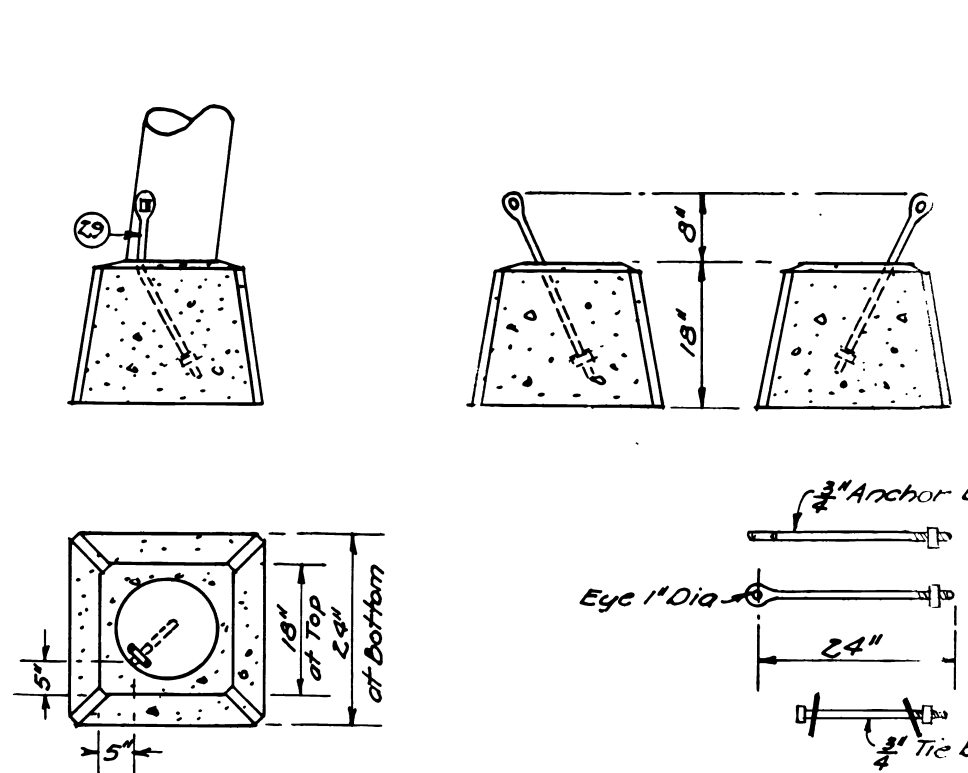


SIDE ELEVATION



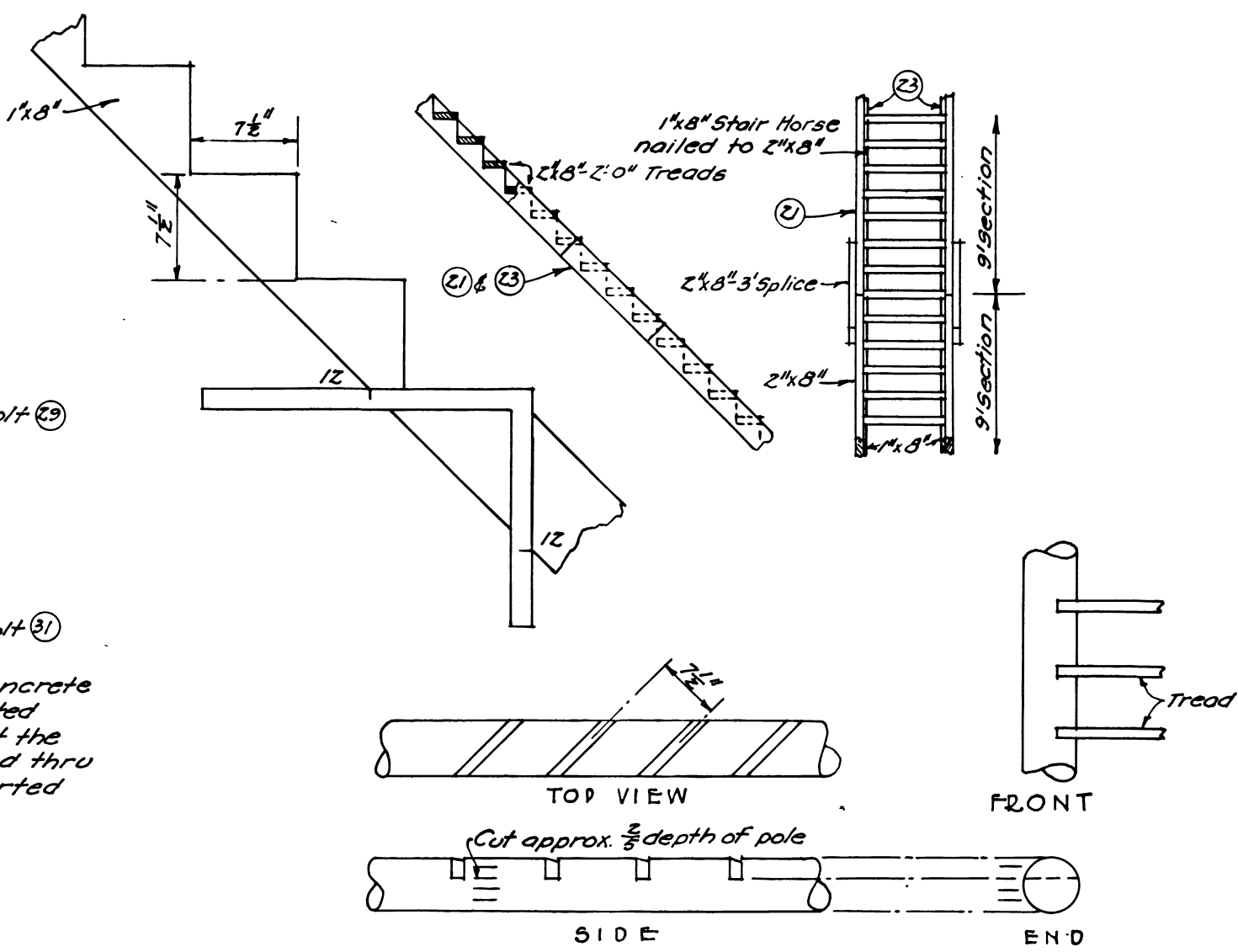
FRONT ELEVATION

NOTE: If round material is used for tower platform frame, the pieces need to be faced on top side only and dapped at bearing point on under side. The 2 x 8 joist will be only 7 1/2" so that sills must be dapped a sufficient depth on cap to allow joint to fit perfectly.



PIER DETAIL

NOTE: Anchor bolt is set in concrete on a slant. After tower is erected bolt is bent to meet the face at the foot of the leg. A hole is bored thru the leg and the bolt is inserted and drawn up snug.



STAIR DETAILS

This method of making stair horses may be used. Poles approx. 7" in dia. are used. The cuts for treads are sawed approx. 2/3 the depth of the pole by using an improvised miter box. The 1 1/2" chip is chiseled out and the tread spiked into cut.

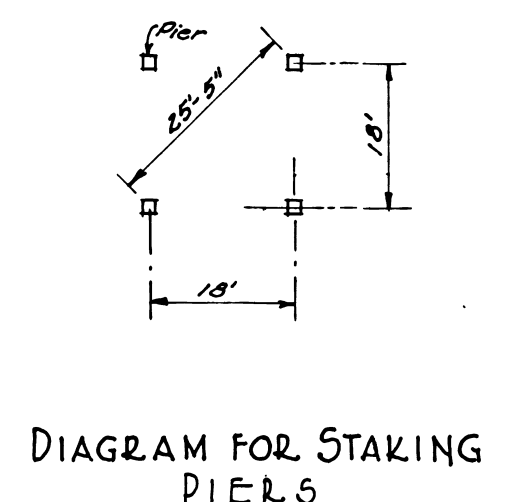


DIAGRAM FOR STAKING PIERS

NOTE: Numbers in circles refer to item numbers on material list.

Old Plan T-20
Changed 8/1/30

Drawn By H.W. Coughlin

U. S. DEPT. OF AGRICULTURE
FOREST SERVICE REGION NO. 1
LOOKOUT TOWER
WITH LIVING QUARTERS
FOR USE WITH PLAN L-4
PLAN L-8
DESIGNED BY C.P. FICKES & J.B. HALM
APPROVED BY *Frank J. Allen*
Acting Assistant Regional Forester

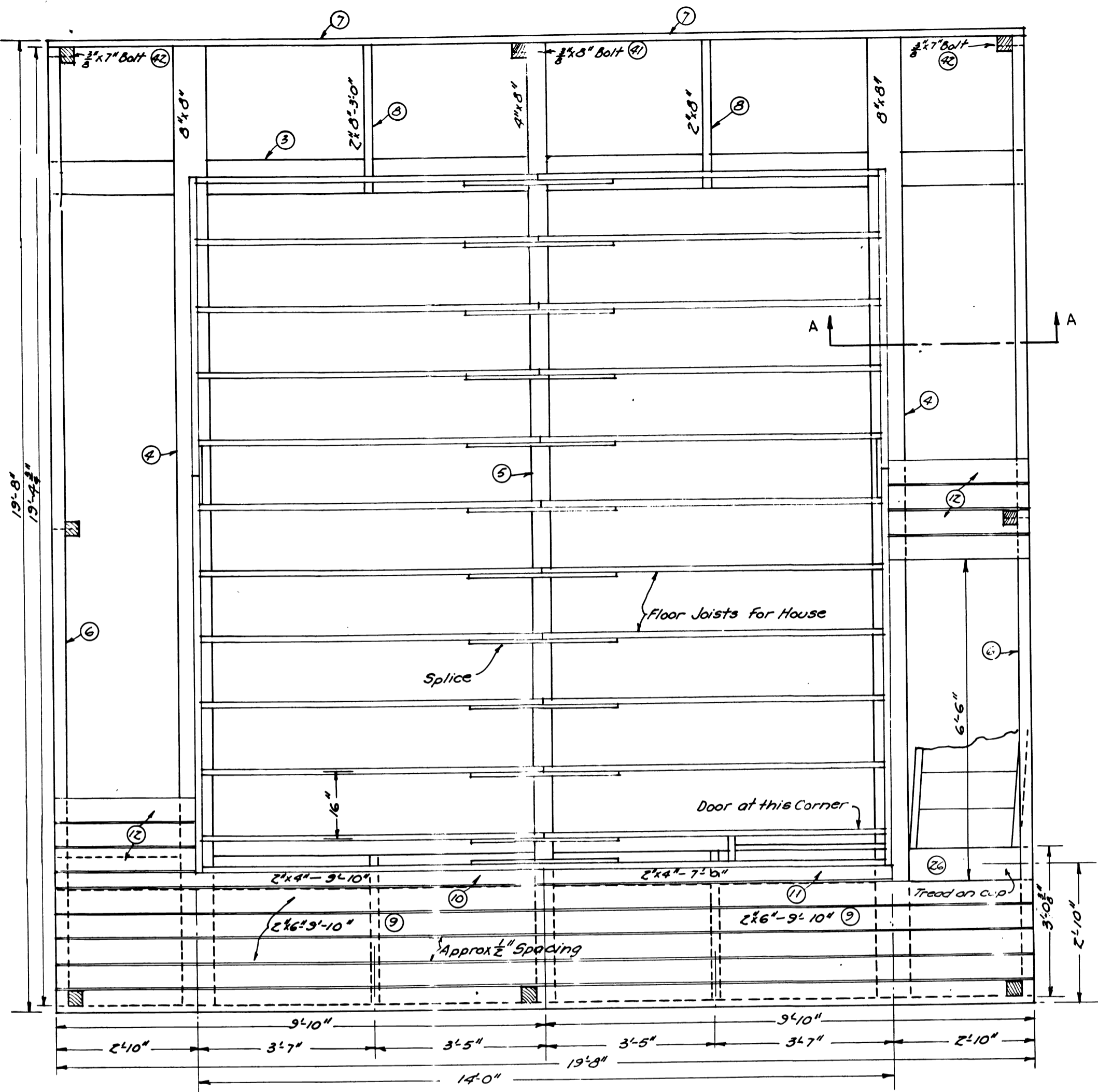
FEB 1932

SHEET 1 OF 2

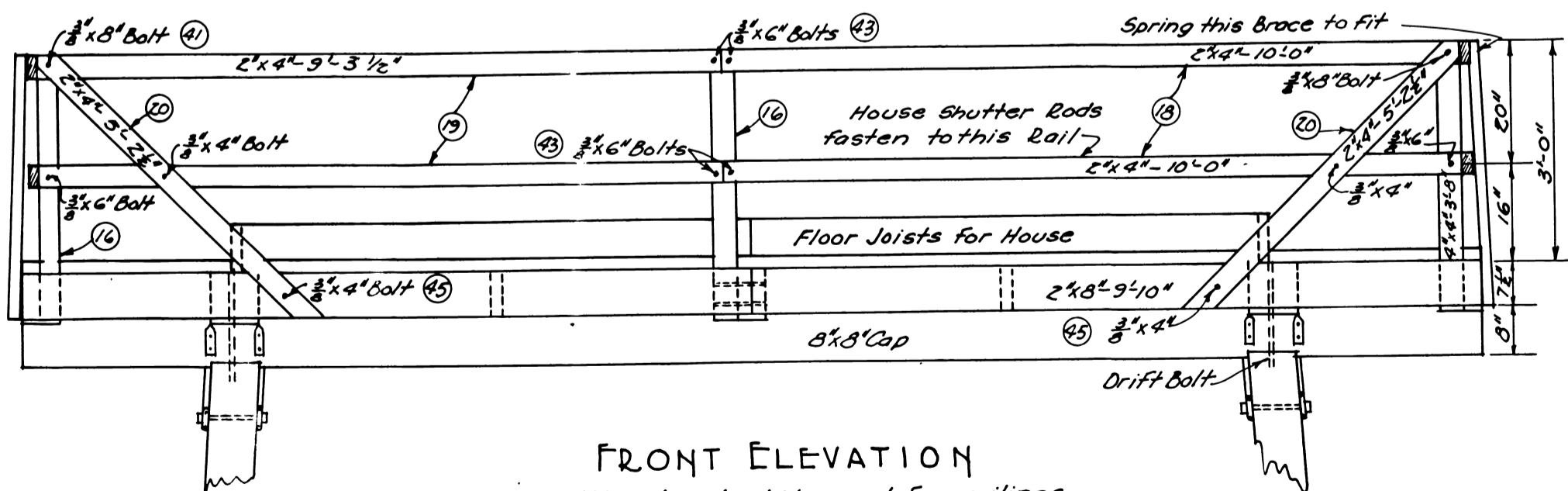
SP-07-06-01

R1-18-1-1932

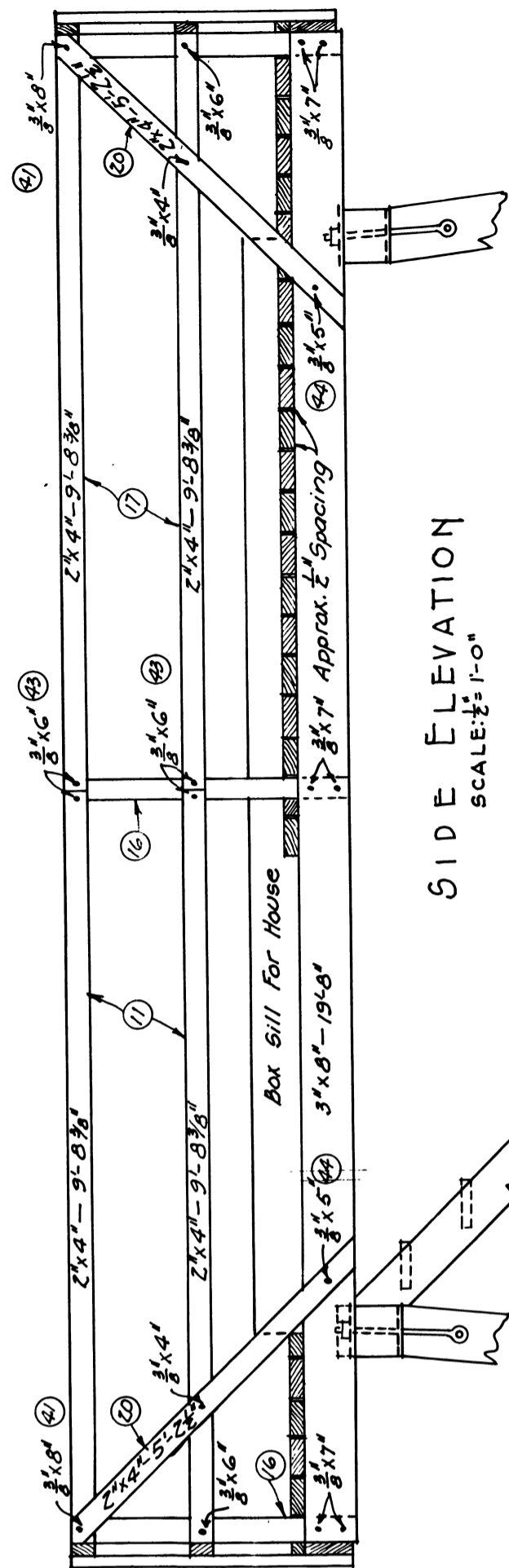
SP-07-06-01



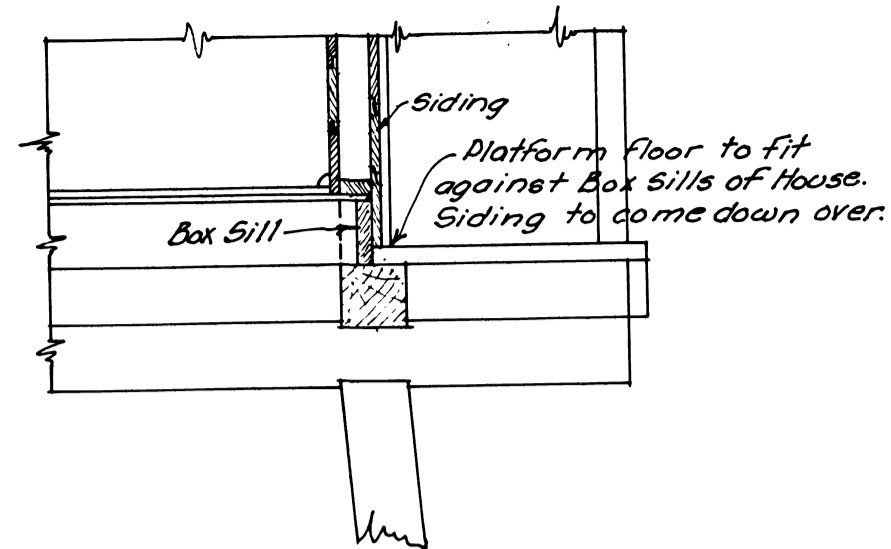
PLAN OF TOWER PLATFORM
SCALE: 1/2" = 1'-0"



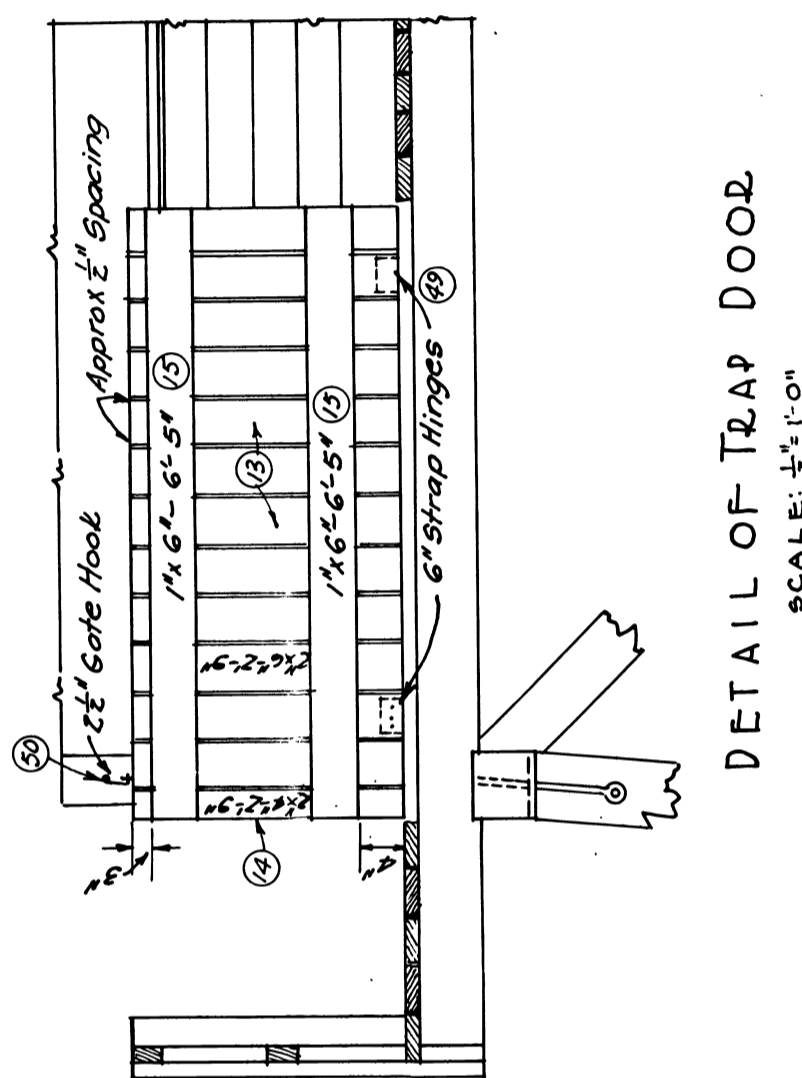
FRONT ELEVATION
Where possible poles should be used for railings
SCALE: 1/2" = 1'-0"



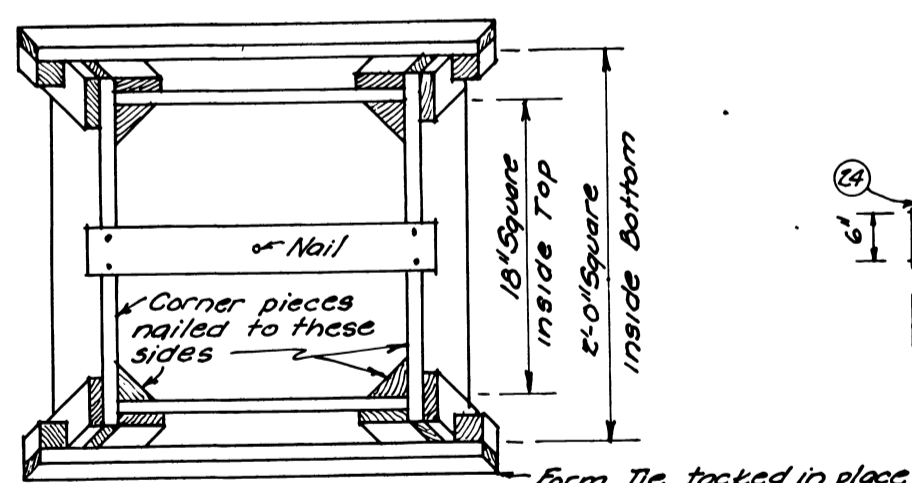
SIDE ELEVATION
SCALE: 1/2" = 1'-0"



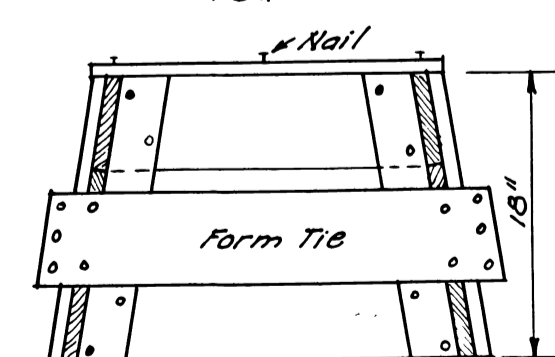
SECTION "A-A" SHOWING
PLATFORM FLOOR
SCALE: 1/2" = 1'-0"



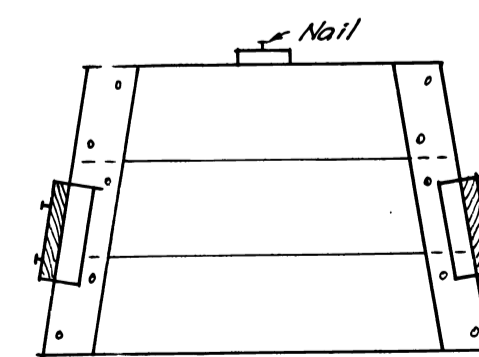
DETAIL OF TRAP DOOR
SCALE: 1/2" = 1'-0"



TOP

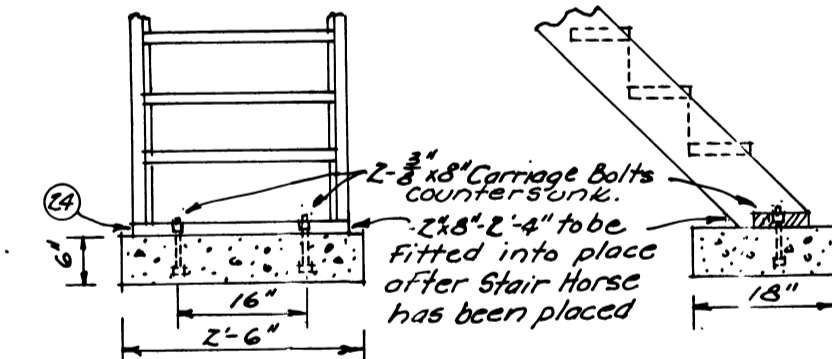


FRONT



SIDE

PIER FORMS (20)



DETAIL OF FOOTING FOR
STAIR HORSE

MATERIAL LIST FOR FORMS

8 pcs.	1x6	#2 com.	5x5 cut	14'9" top - 1'11" Bottom
8 "	"	"	"	11'4" "
8 "	"	"	"	2'1" "
8 "	"	"	"	2'3" "
8 "	"	"	"	1'6" "
8 "	"	"	"	1'8" "
8 "	"	"	"	1'10" "
8 "	"	"	"	2'0" "
8 "	"	"	"	2'6" "
32 "	1x2	"	"	12'6" "
16 "	2x2	"	"	6" "
16 "	2x2	"	Diagonal Strip	"

Old Plan T-20
Changed 8/1/39

LOOKOUT TOWER
WITH LIVING QUARTERS
FOR USE WITH PLAN L-4
PLAN L-8

FEB. 1932

SHEET 2 OF 2