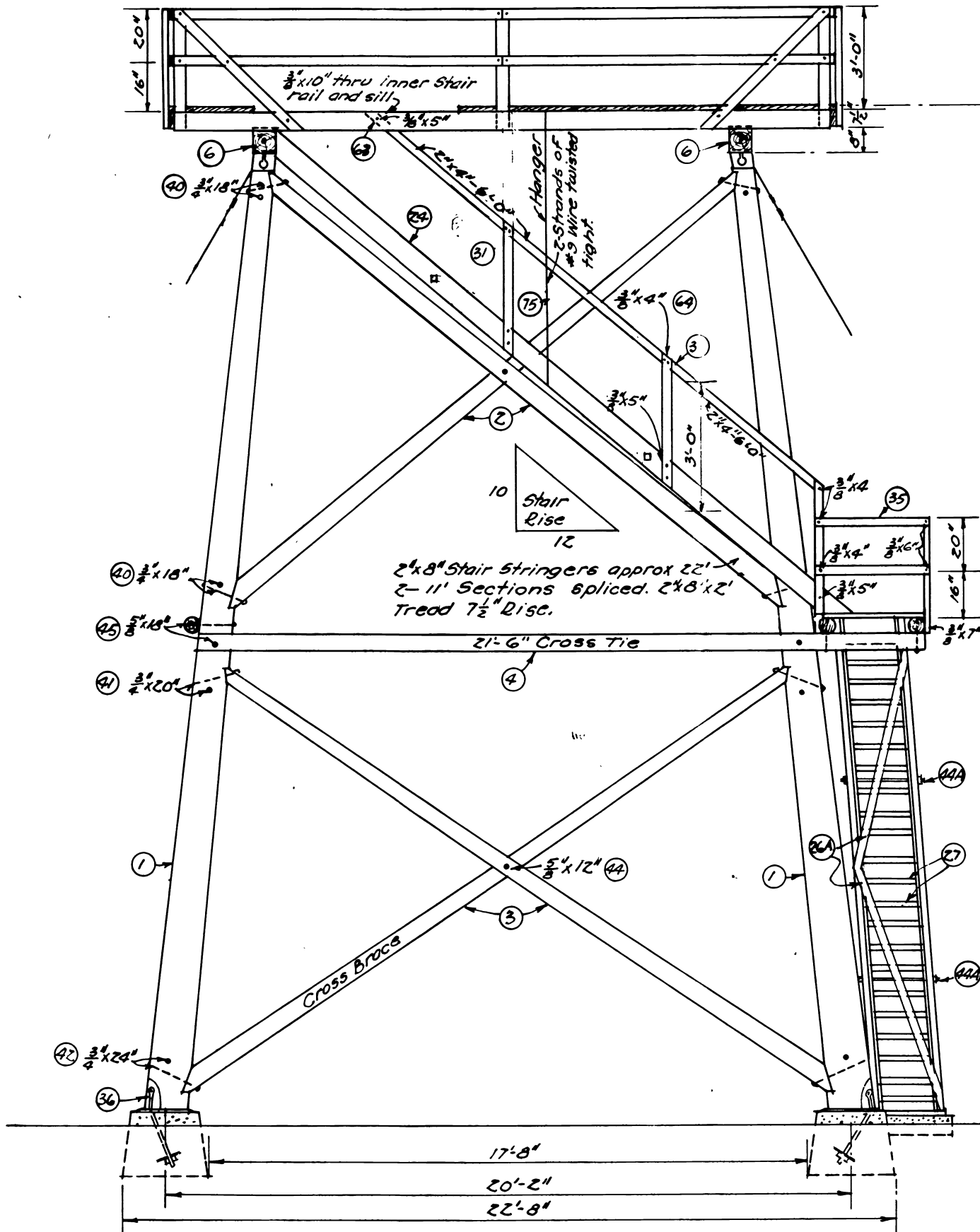


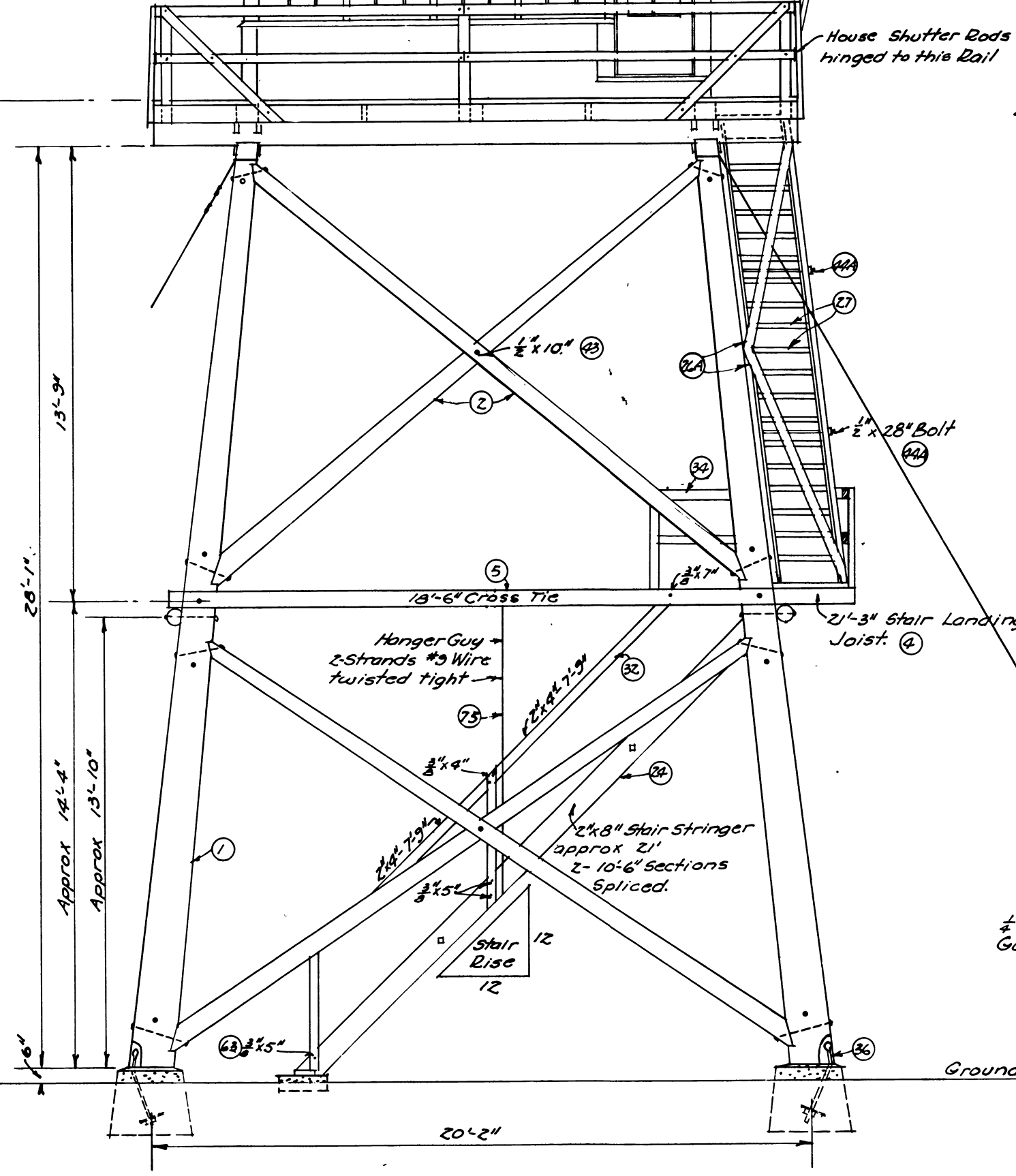
NOTE:  
If round material is used for Platform Frame, the pieces need to be faced on top side only and dapped at bearing point on under side. The 2"x8" joist will be only 7 1/2" so that sills must be dapped a sufficient depth on cap to allow joist to fit properly.

NOTES:  
All logs and poles to be peeled. All bolts and contact surfaces to be treated with creosote before assembly. Tower House and Platform to be painted. Bolts to be purchased standard, threads on all long bolts to be run down approx 4".  
Before pouring concrete piers determine the dia. of base of Leg to be used. Then slope top of Pier 1/4" from outer edge of Leg to permit drainage and prevent moisture collecting under Leg.

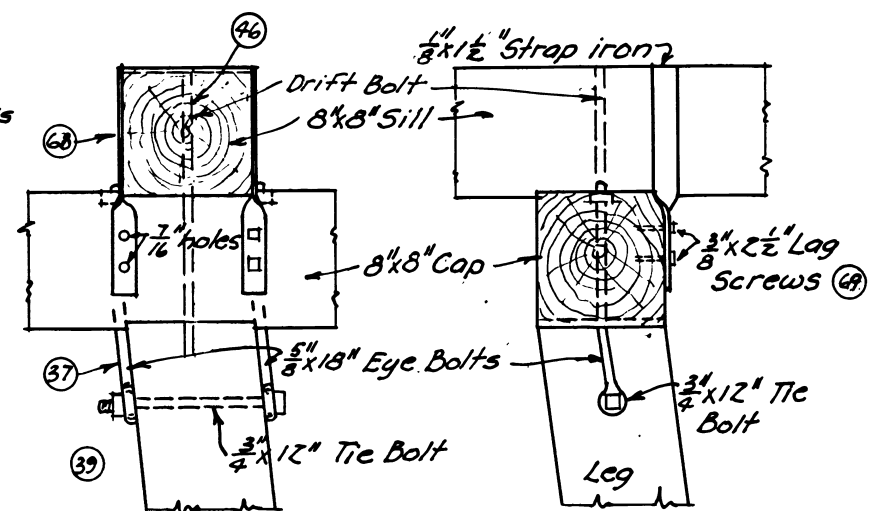
STANDARD L-4  
LOOKOUT HOUSE



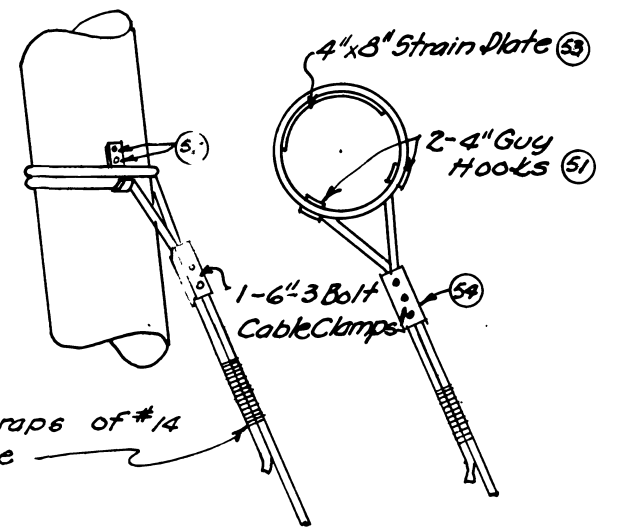
SIDE ELEVATION



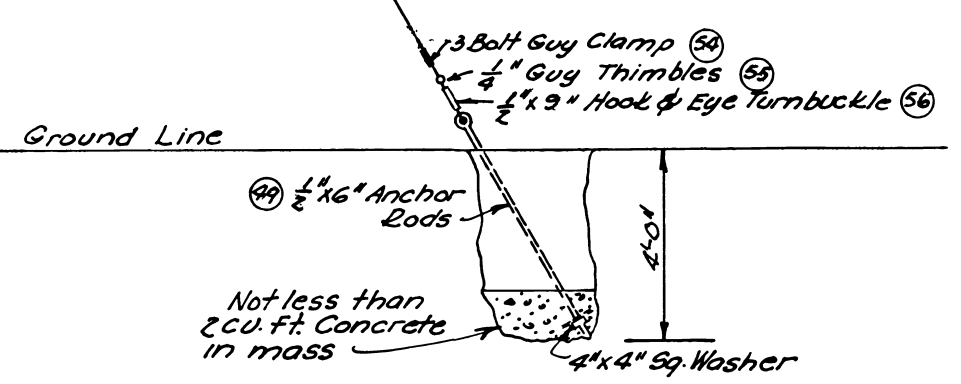
FRONT ELEVATION



DETAIL OF LEG TOPS

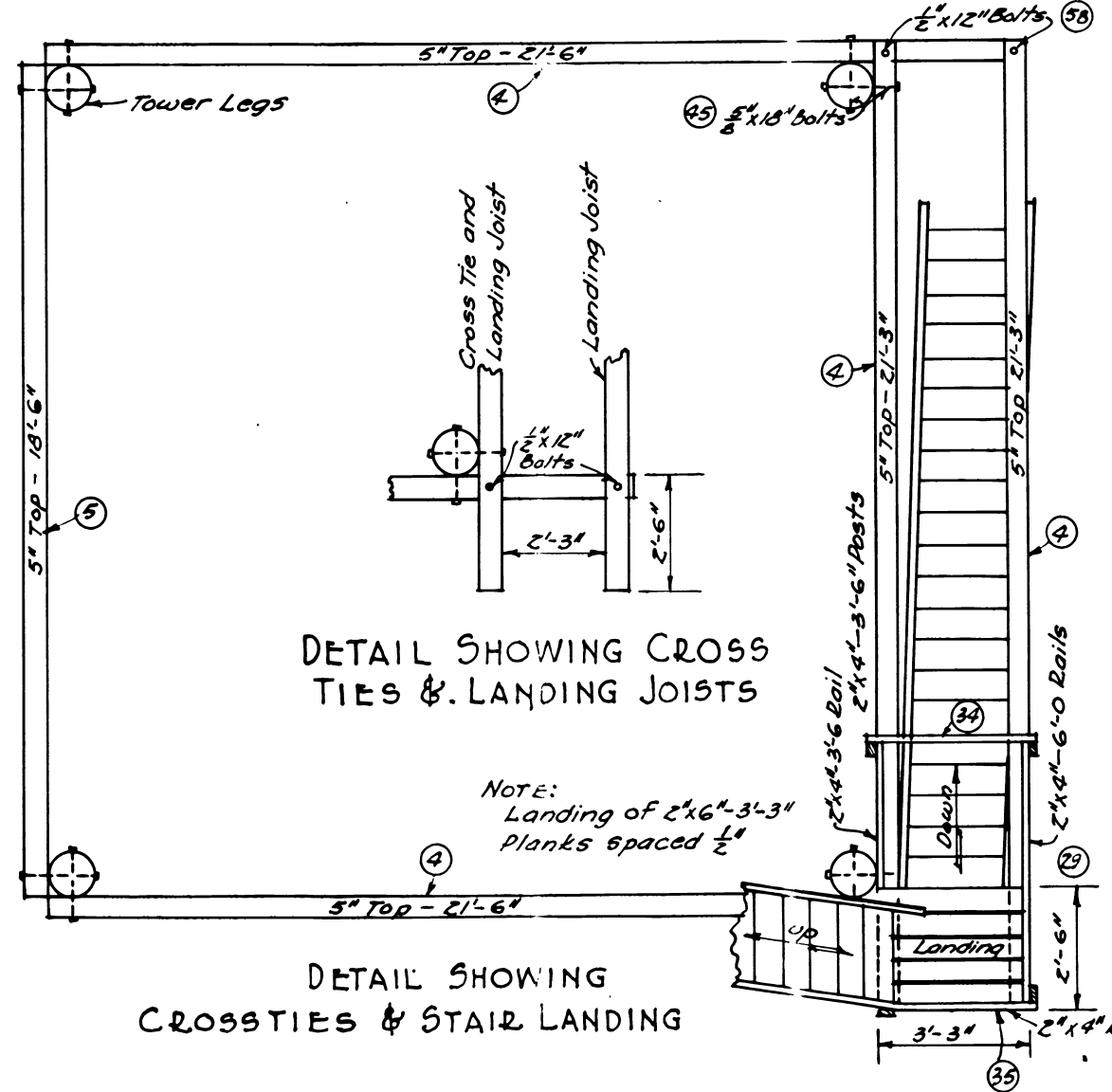


GUY CONNECTIONS



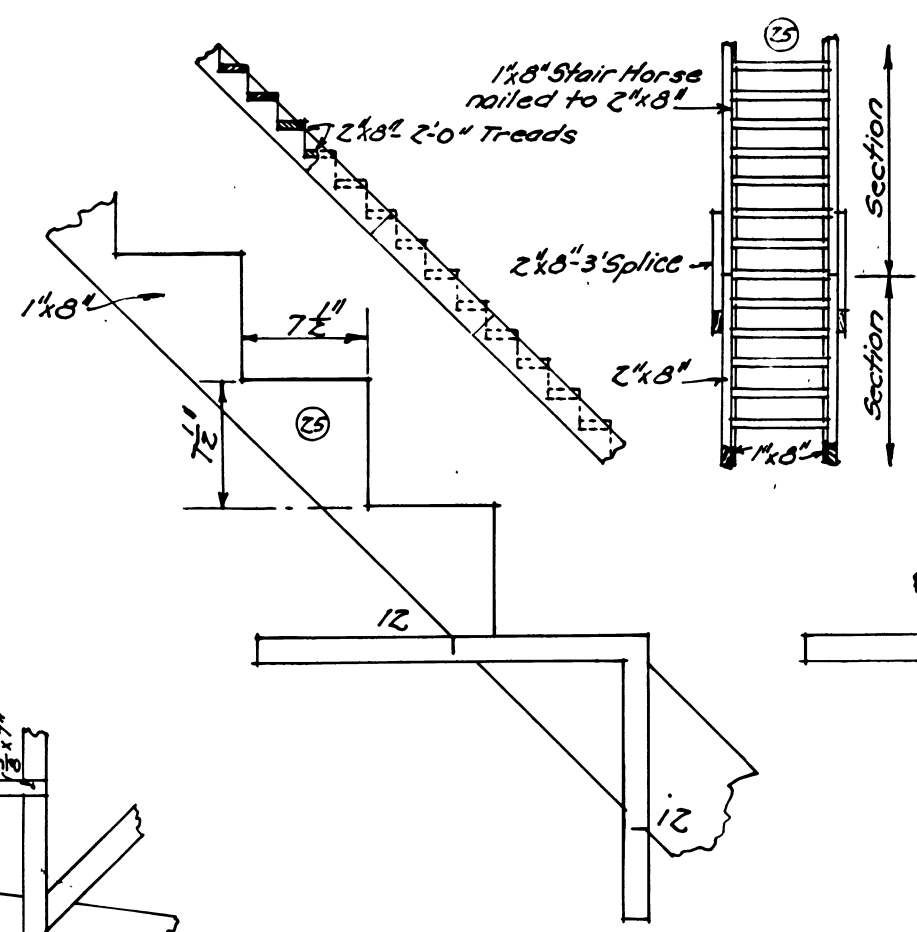
ROCK ANCHOR

Where solid rock is encountered split Anchor Rods will be put 2'-6" deep in holes drilled into solid rock and swedged - the hole then poured full of very thin pure cement.



DETAIL SHOWING CROSS TIES & LANDING JOISTS

DETAIL SHOWING CROSSTIES & STAIR LANDING



STAIR DETAIL

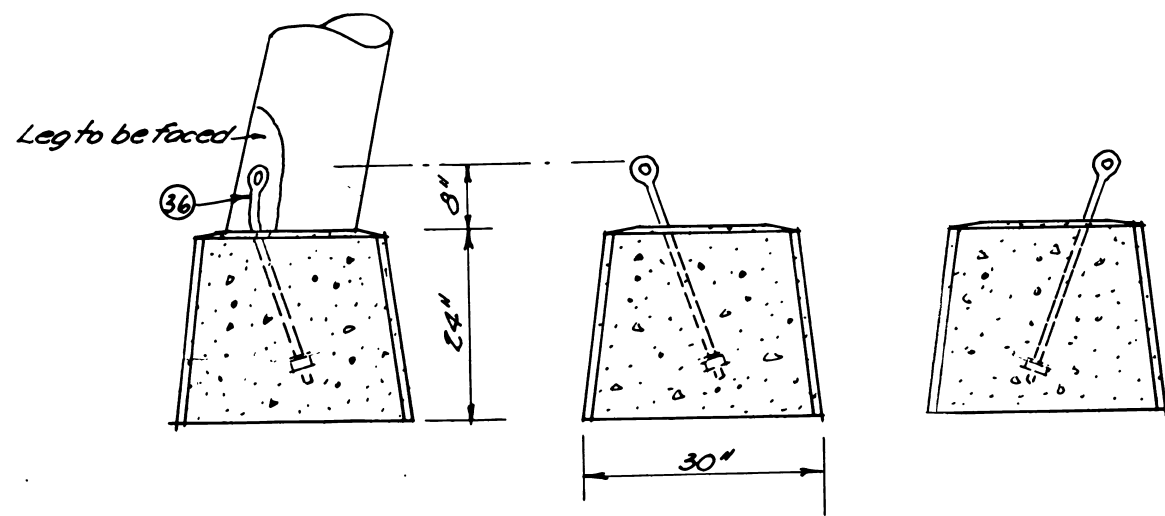
NOTE. Numbers in circles refer to item numbers on material list.

U. S. DEPT. OF AGRICULTURE  
FOREST SERVICE REGION NO. 1  
**LOOKOUT TOWER  
WITH LIVING QUARTERS**  
FOR USE WITH PLAN L-4  
**PLAN L-9**  
DESIGNED BY C. P. FICKES & J. B. HALM  
APPROVED BY *Paul J. Jefferson*  
Acting Assistant Regional Forester

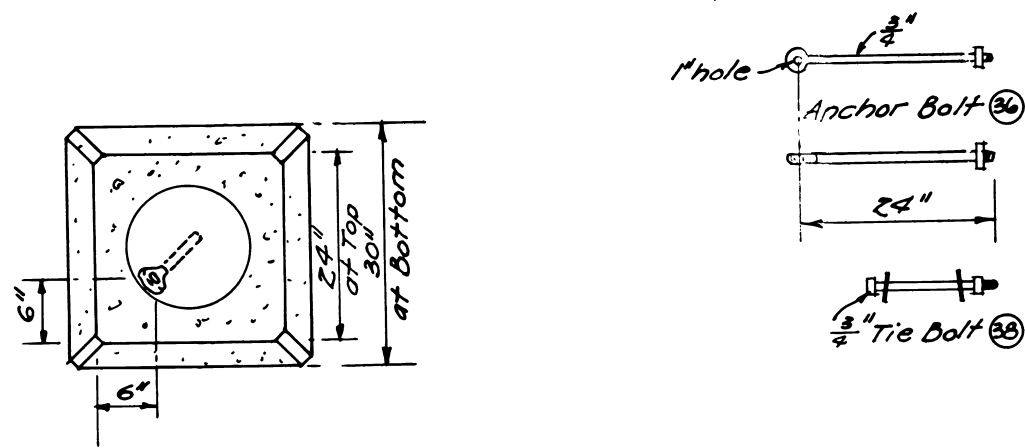
Old Plan T-30  
Changed 8/1/39

Drawn By H.M. Coughlin  
SP-07-07-01

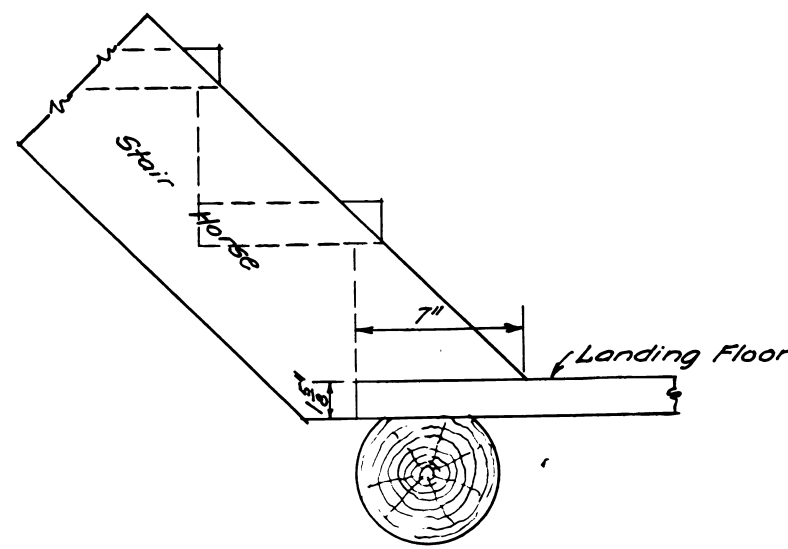
SP-07-07-01



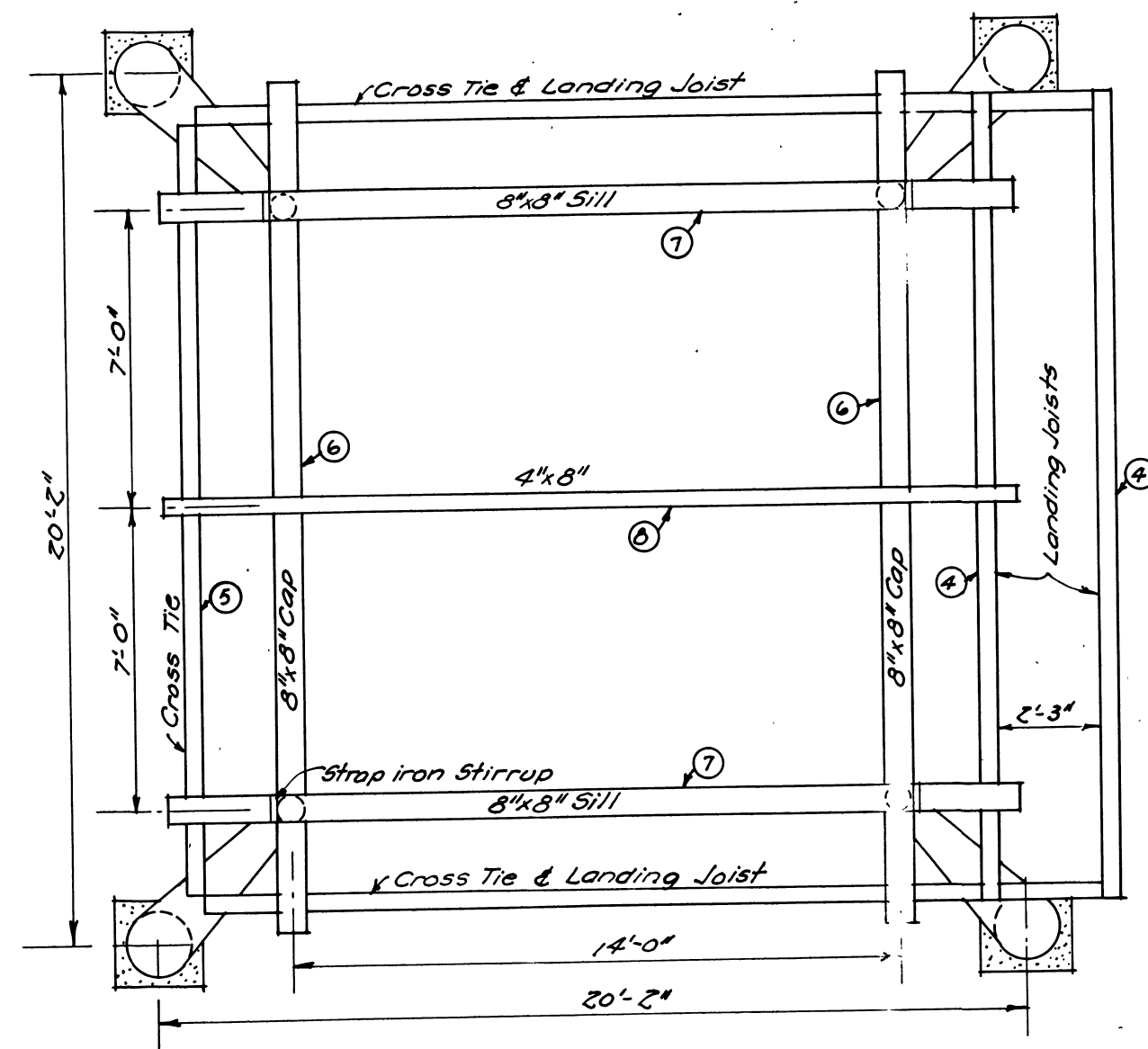
NOTE:  
Anchor bolt is set in concrete on a slant. After tower is erected bolt is bent to meet face at foot of leg. A hole is bored thru the leg and the bolt inserted and drawn up snug.



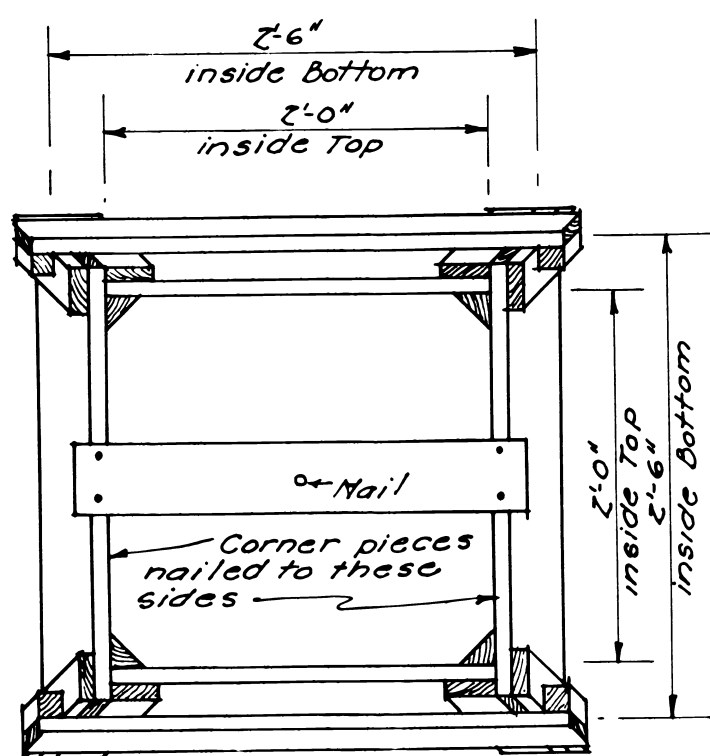
PIER DETAIL



NOTCHING OF STAIR HORSE FOR LANDING



PLAN OF TOWER FRAMING



TOP

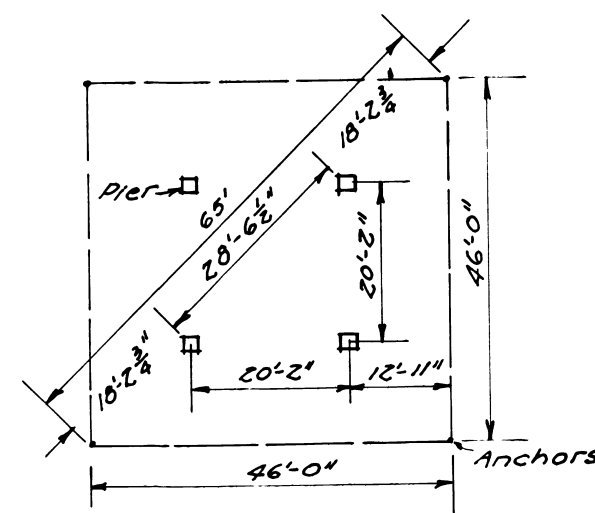
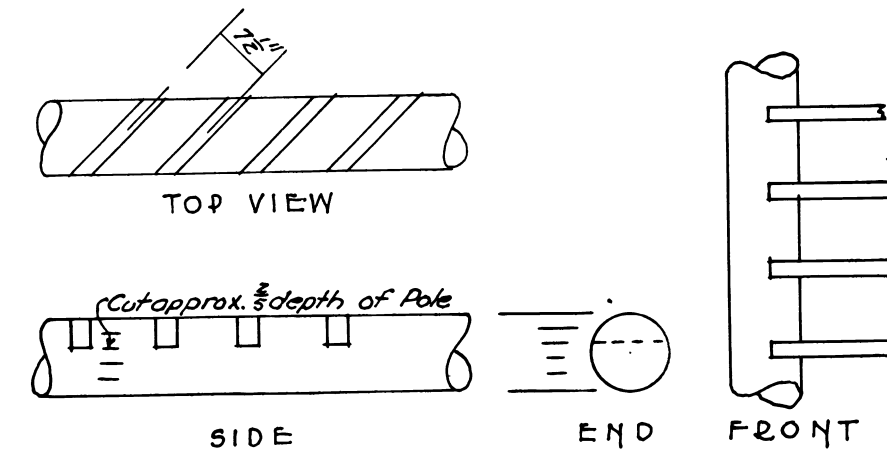
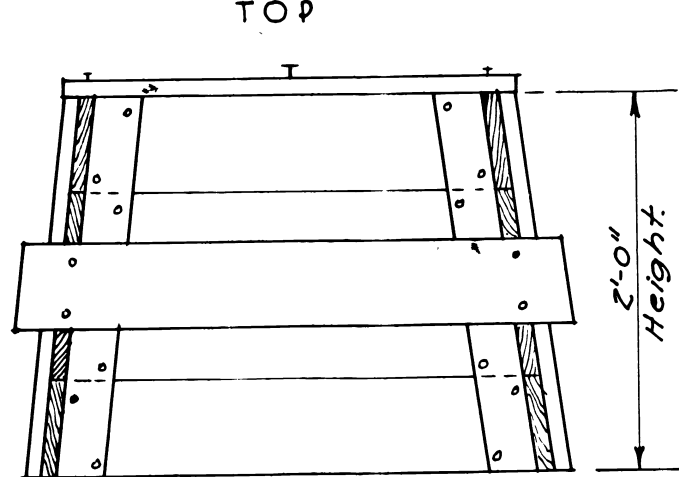


DIAGRAM FOR STAKING PIERS & ANCHORS

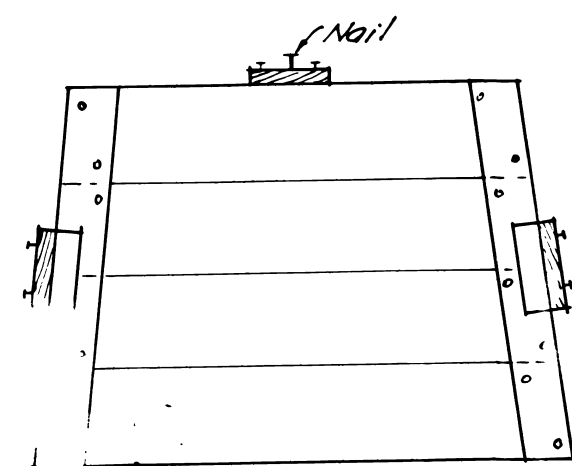


NOTE:  
This method of making stair horses may be used. Poles approx 7" in dia. are used. The cuts for treads are sawed approx 1/2" depth of pole by using an improvised miter box. The 1 3/4" chip is chiseled out and tread spiked into cut.

POLE STAIR HORSE



FRONT



SIDE

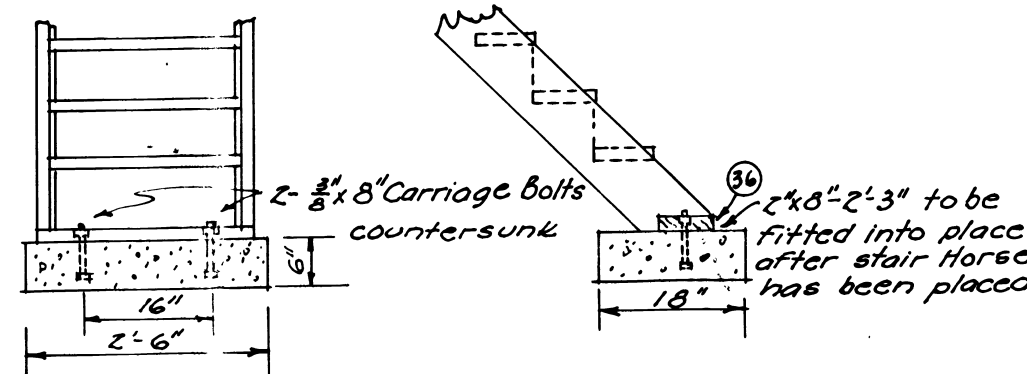
Pier Forms to be furnished on special req. sition only.

DETAIL OF PIER FORMS

SCALE 1"=1'-0"

MATERIAL LIST FOR FORMS

QTY	PCS	SIZE	DESCRIPTION
8	1x6	#2 com.	5x5 Cut 2'3" Top - 2'5" Bottom
8	"	"	2'5" "
8	"	"	2'7" "
8	"	"	2'9" "
8	"	"	2'10" "
8	"	"	2'11" "
8	"	"	2'12" "
8	"	"	2'13" "
8	"	"	2'14" "
8	"	"	2'15" "
8	"	"	2'16" "
8	"	"	2'17" "
8	"	"	2'18" "
8	"	"	2'19" "
8	"	"	2'20" "
8	"	"	2'21" "
8	"	"	2'22" "
8	"	"	2'23" "
8	"	"	2'24" "
8	"	"	2'25" "
8	"	"	2'26" "
8	"	"	2'27" "
8	"	"	2'28" "
8	"	"	2'29" "
8	"	"	2'30" "
8	"	"	2'31" "
8	"	"	2'32" "
8	"	"	2'33" "
8	"	"	2'34" "
8	"	"	2'35" "
8	"	"	2'36" "
8	"	"	2'37" "
8	"	"	2'38" "
8	"	"	2'39" "
8	"	"	2'40" "
8	"	"	2'41" "
8	"	"	2'42" "
8	"	"	2'43" "
8	"	"	2'44" "
8	"	"	2'45" "
8	"	"	2'46" "
8	"	"	2'47" "
8	"	"	2'48" "
8	"	"	2'49" "
8	"	"	2'50" "
8	"	"	2'51" "
8	"	"	2'52" "
8	"	"	2'53" "
8	"	"	2'54" "
8	"	"	2'55" "
8	"	"	2'56" "
8	"	"	2'57" "
8	"	"	2'58" "
8	"	"	2'59" "
8	"	"	2'60" "
8	"	"	2'61" "
8	"	"	2'62" "
8	"	"	2'63" "
8	"	"	2'64" "
8	"	"	2'65" "
8	"	"	2'66" "
8	"	"	2'67" "
8	"	"	2'68" "
8	"	"	2'69" "
8	"	"	2'70" "
8	"	"	2'71" "
8	"	"	2'72" "
8	"	"	2'73" "
8	"	"	2'74" "
8	"	"	2'75" "
8	"	"	2'76" "
8	"	"	2'77" "
8	"	"	2'78" "
8	"	"	2'79" "
8	"	"	2'80" "
8	"	"	2'81" "
8	"	"	2'82" "
8	"	"	2'83" "
8	"	"	2'84" "
8	"	"	2'85" "
8	"	"	2'86" "
8	"	"	2'87" "
8	"	"	2'88" "
8	"	"	2'89" "
8	"	"	2'90" "
8	"	"	2'91" "
8	"	"	2'92" "
8	"	"	2'93" "
8	"	"	2'94" "
8	"	"	2'95" "
8	"	"	2'96" "
8	"	"	2'97" "
8	"	"	2'98" "
8	"	"	2'99" "
8	"	"	2'100" "



DETAIL OF FOOTING FOR STAIR HORSE

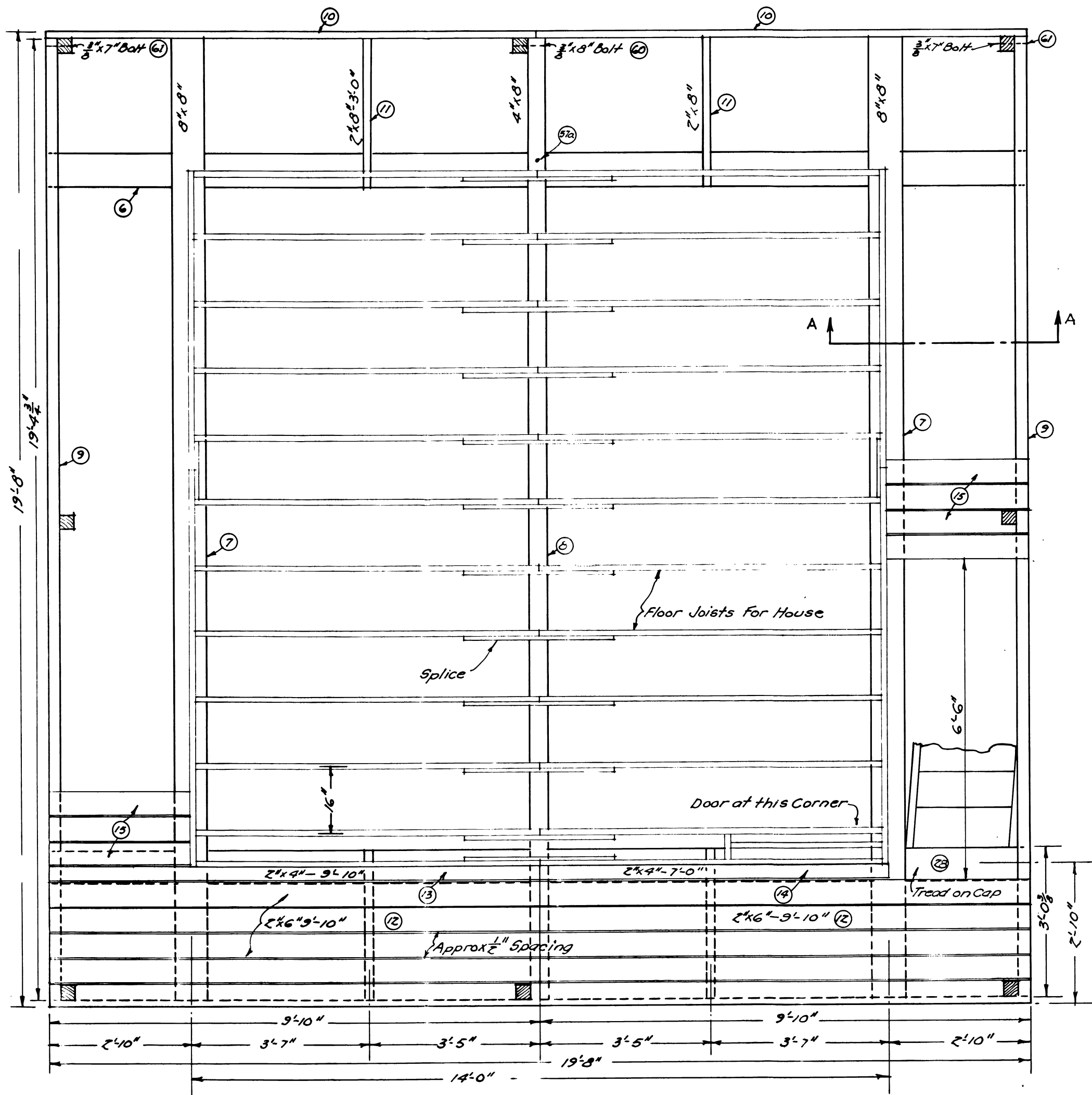
Old Plan T-30  
Changed 8/1/59

LOOKOUT TOWER  
WITH LIVING QUARTERS  
FOR USE WITH PLAN L-4  
PLAN L-9

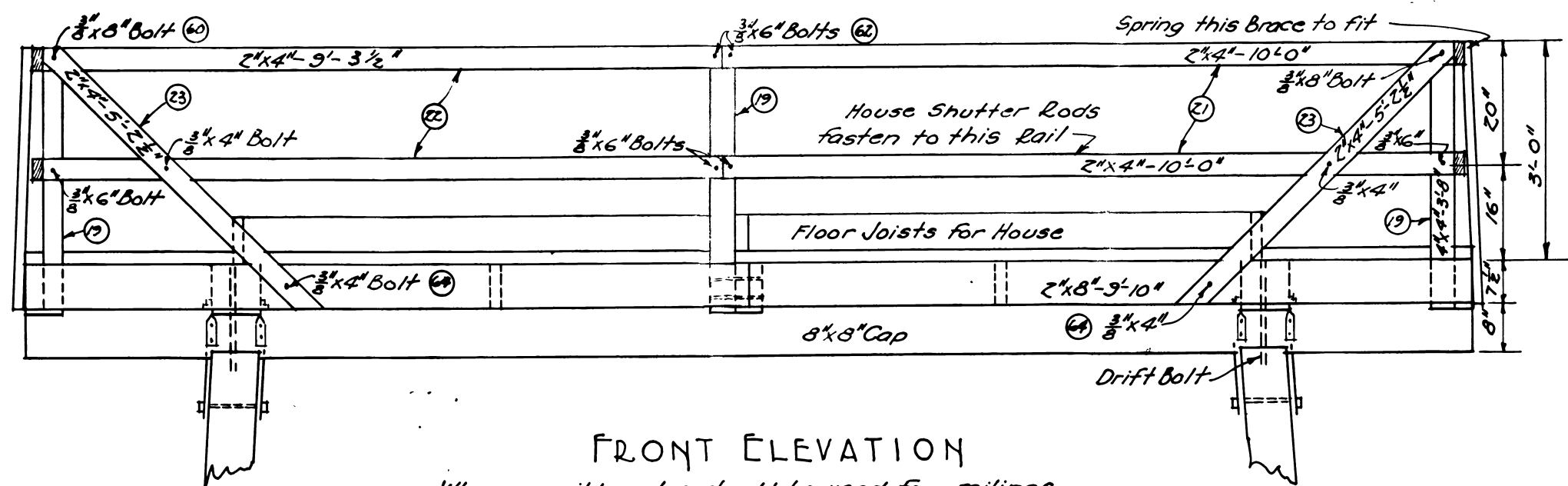
FEB. 1932 SHEET 2 OF 3

SP-07-07-01

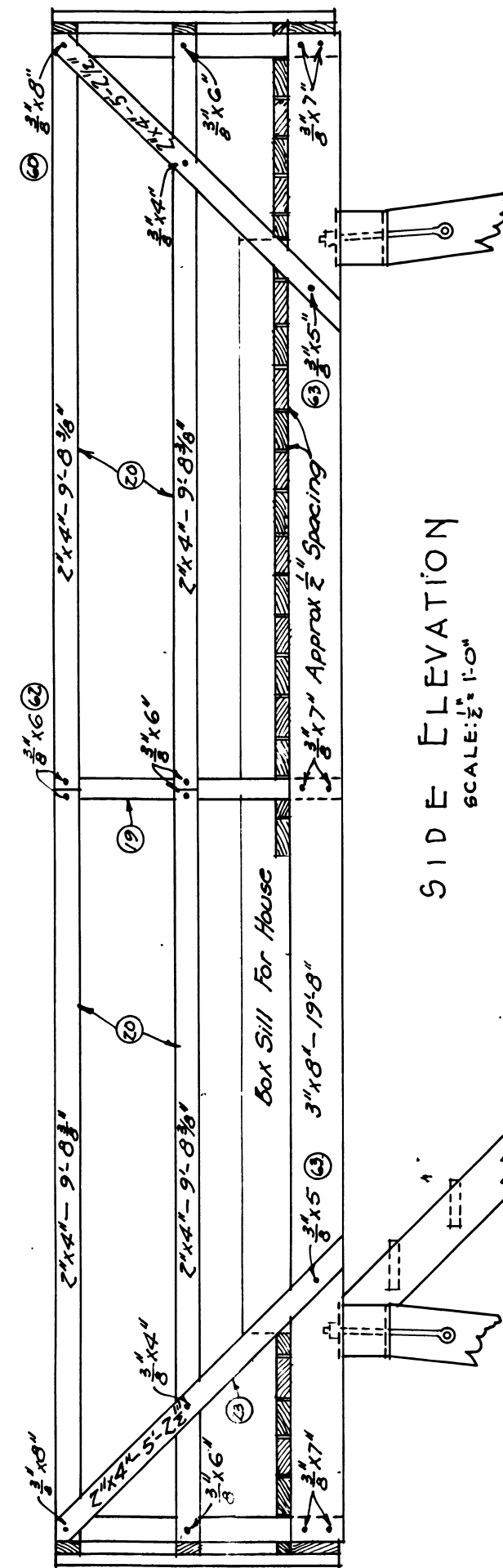
R1-L9-2-1932



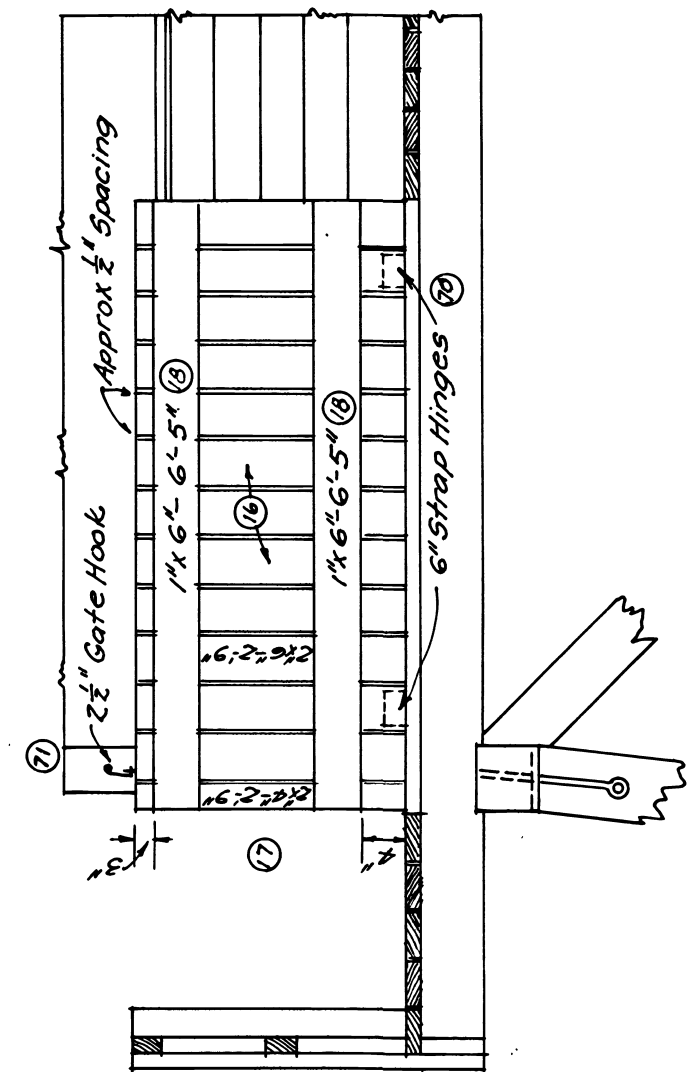
PLAN OF TOWER PLATFORM  
SCALE: 1/2" = 1'-0"



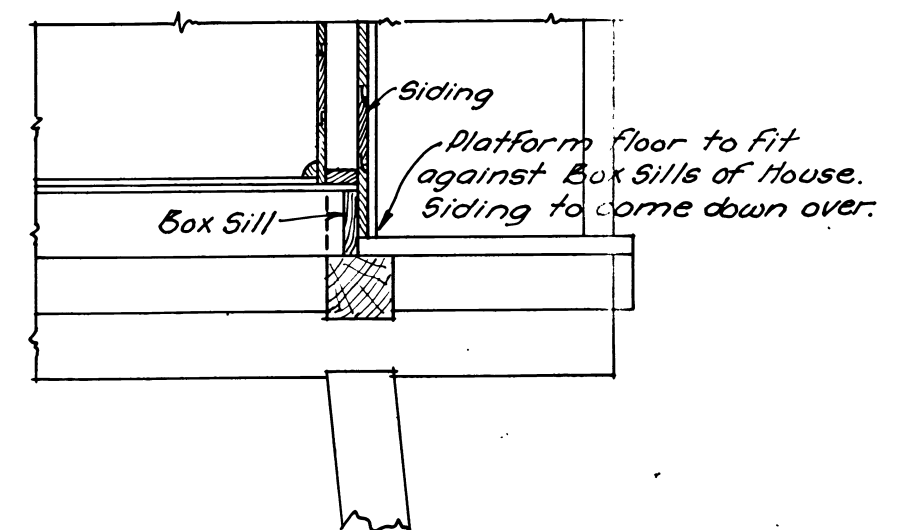
FRONT ELEVATION  
Where possible poles should be used for railings  
SCALE: 1/2" = 1'-0"



SIDE ELEVATION  
SCALE: 1/2" = 1'-0"



DETAIL OF TRAP DOOR  
SCALE: 1/2" = 1'-0"



SECTION "A-A" SHOWING  
PLATFORM FLOOR  
SCALE: 1/2" = 1'-0"

Old Plan T-30  
changed 8/1/39

LOOKOUT TOWER  
WITH LIVING QUARTERS  
FOR USE WITH PLAN L-4  
PLAN L-9

FEB. 1932

SHEET 3 OF 3

SP-07-07-01

R1-L9-3-1932