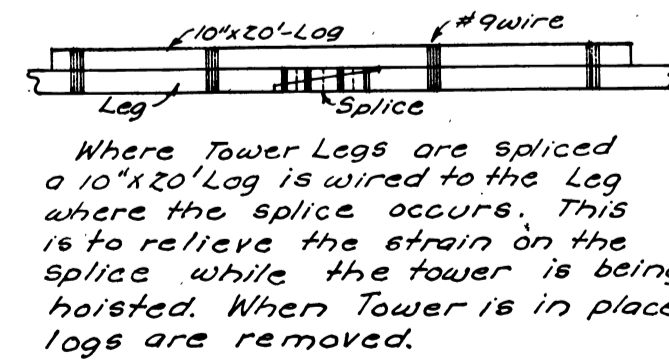
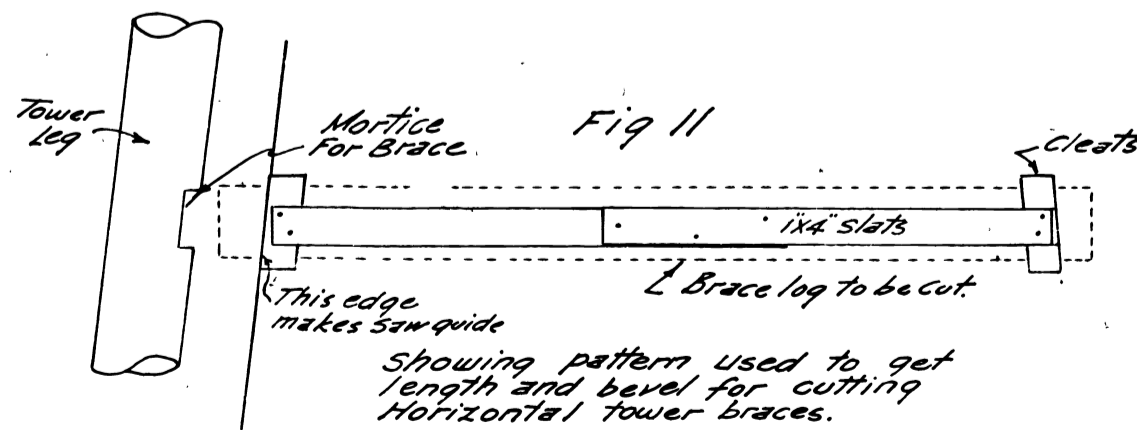
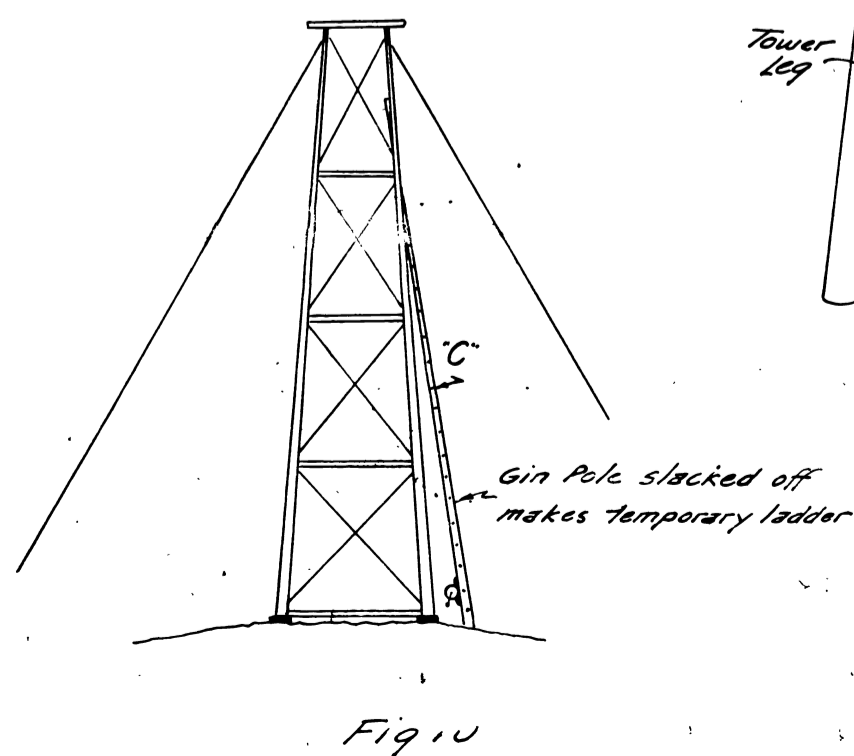
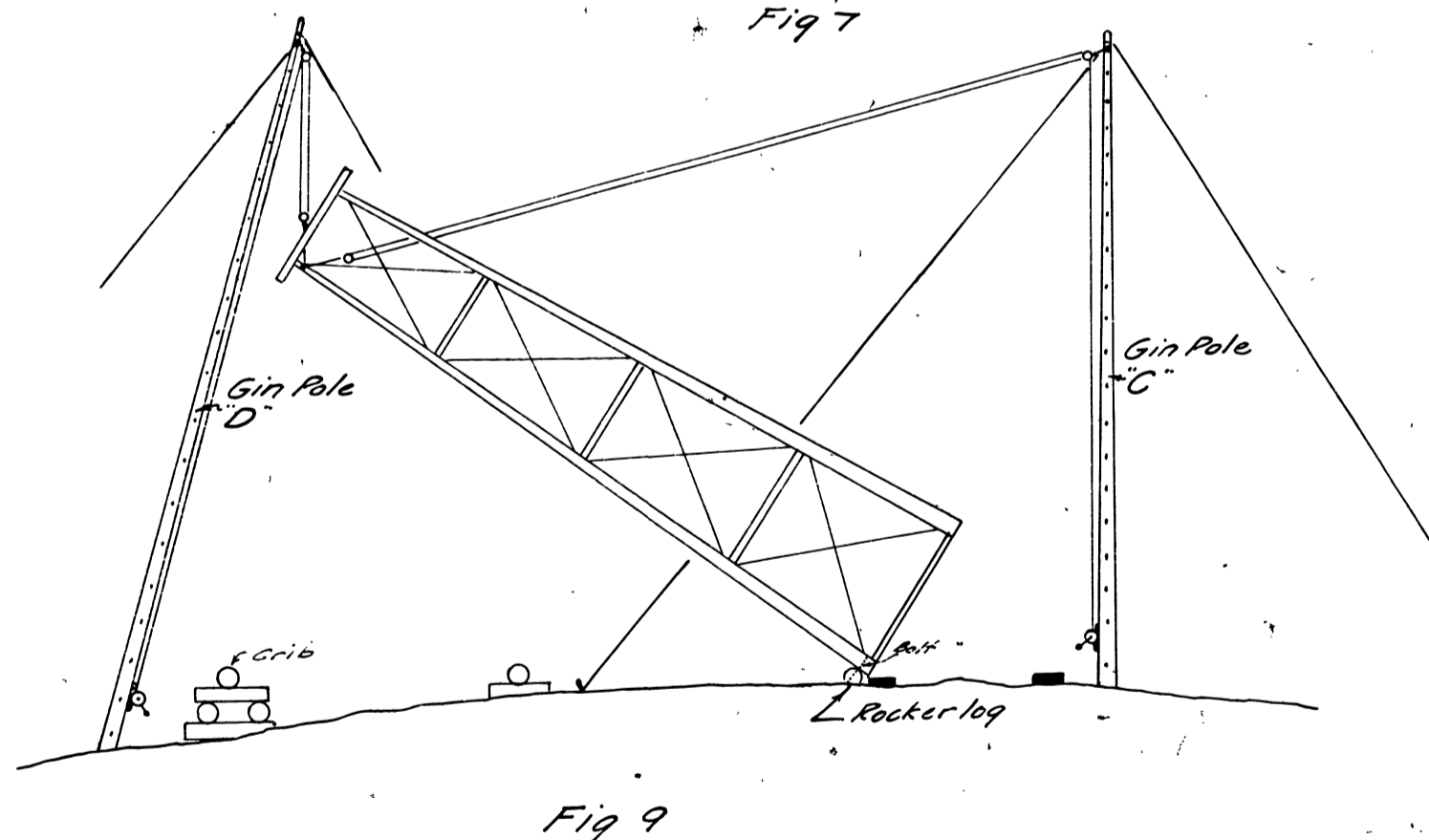
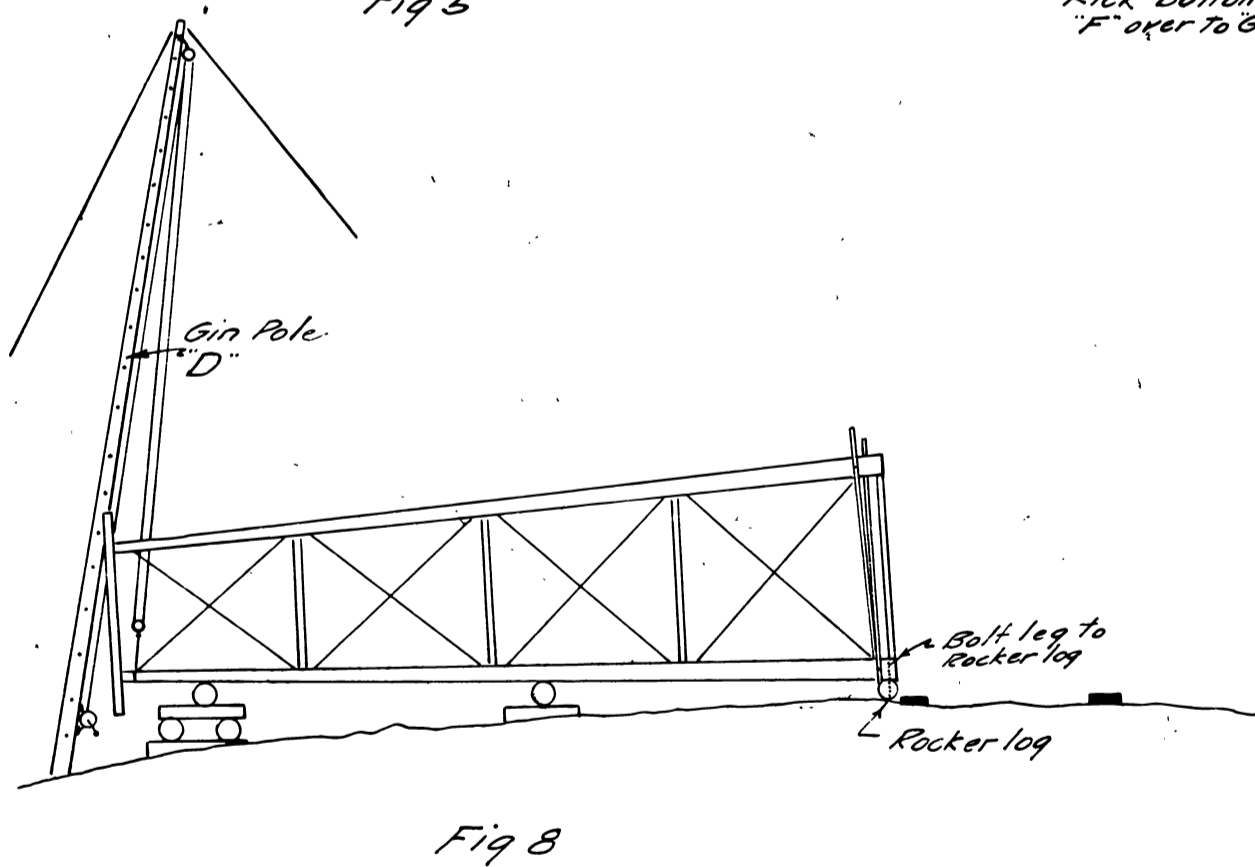
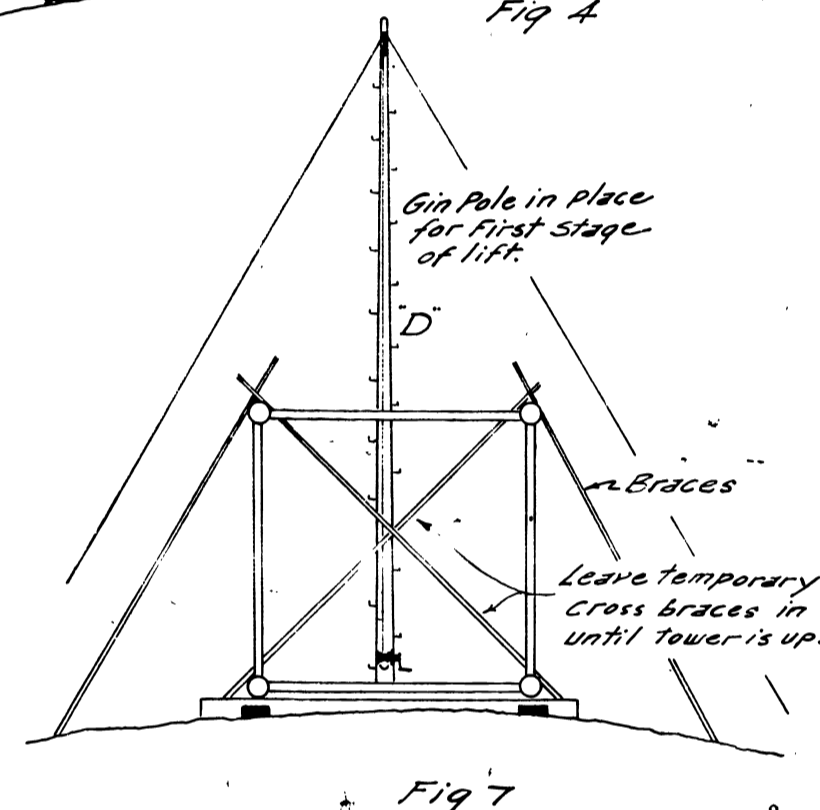
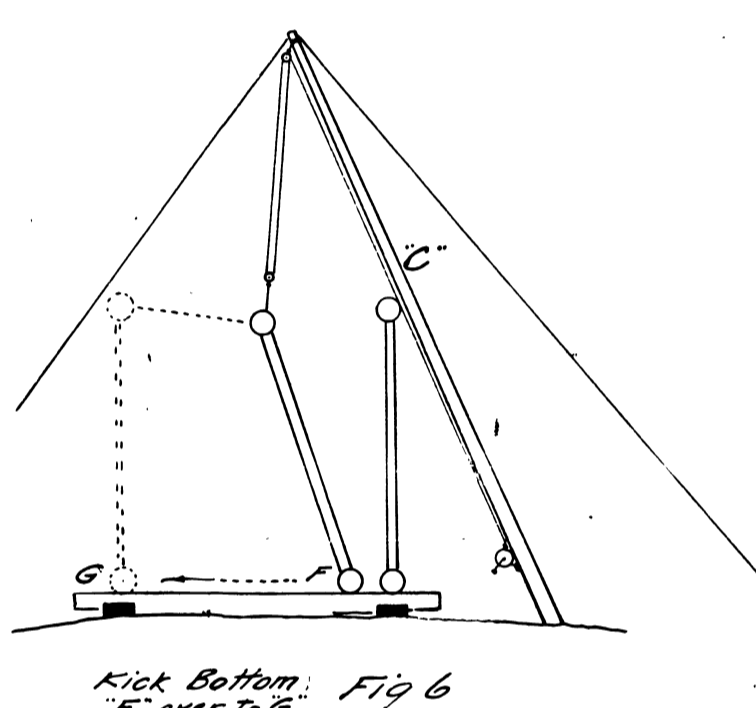
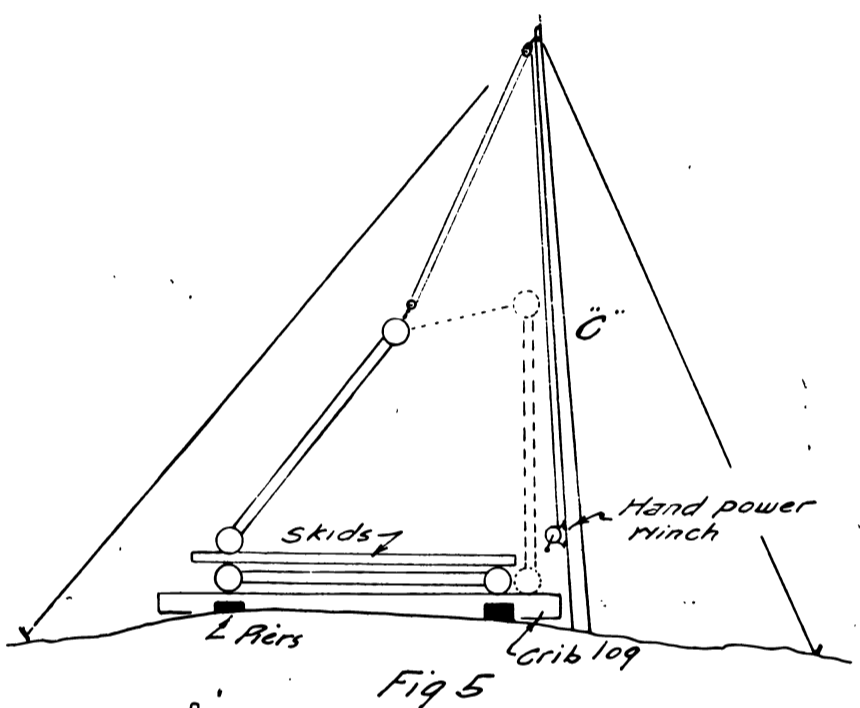
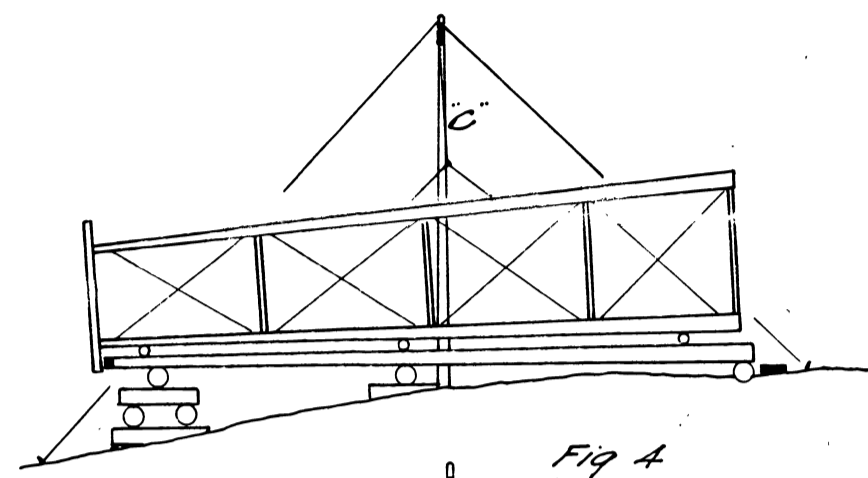
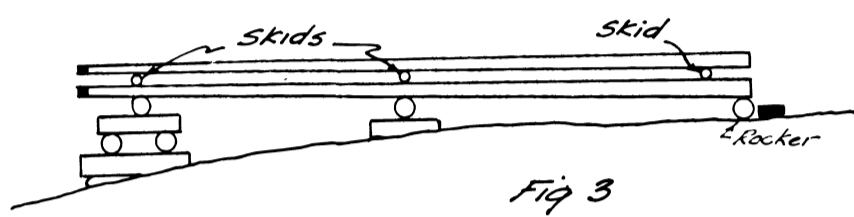
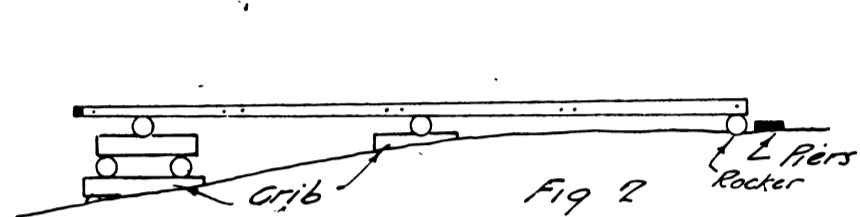
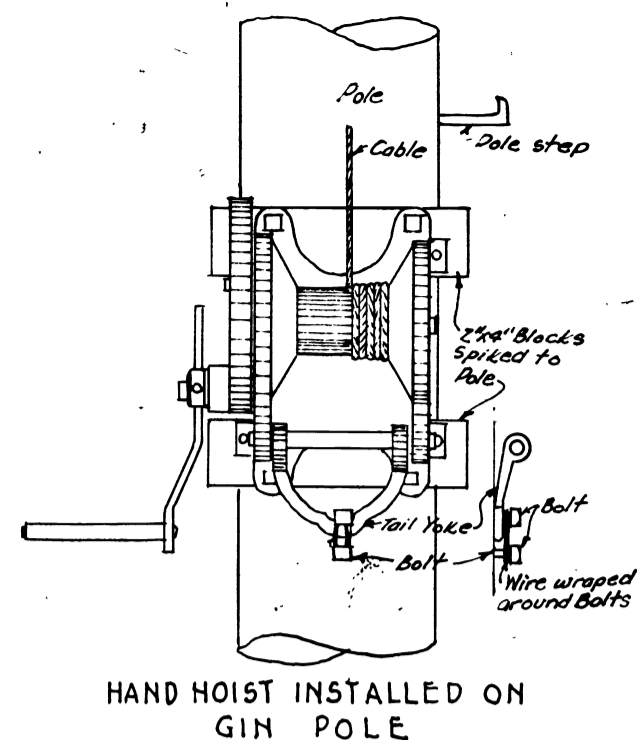
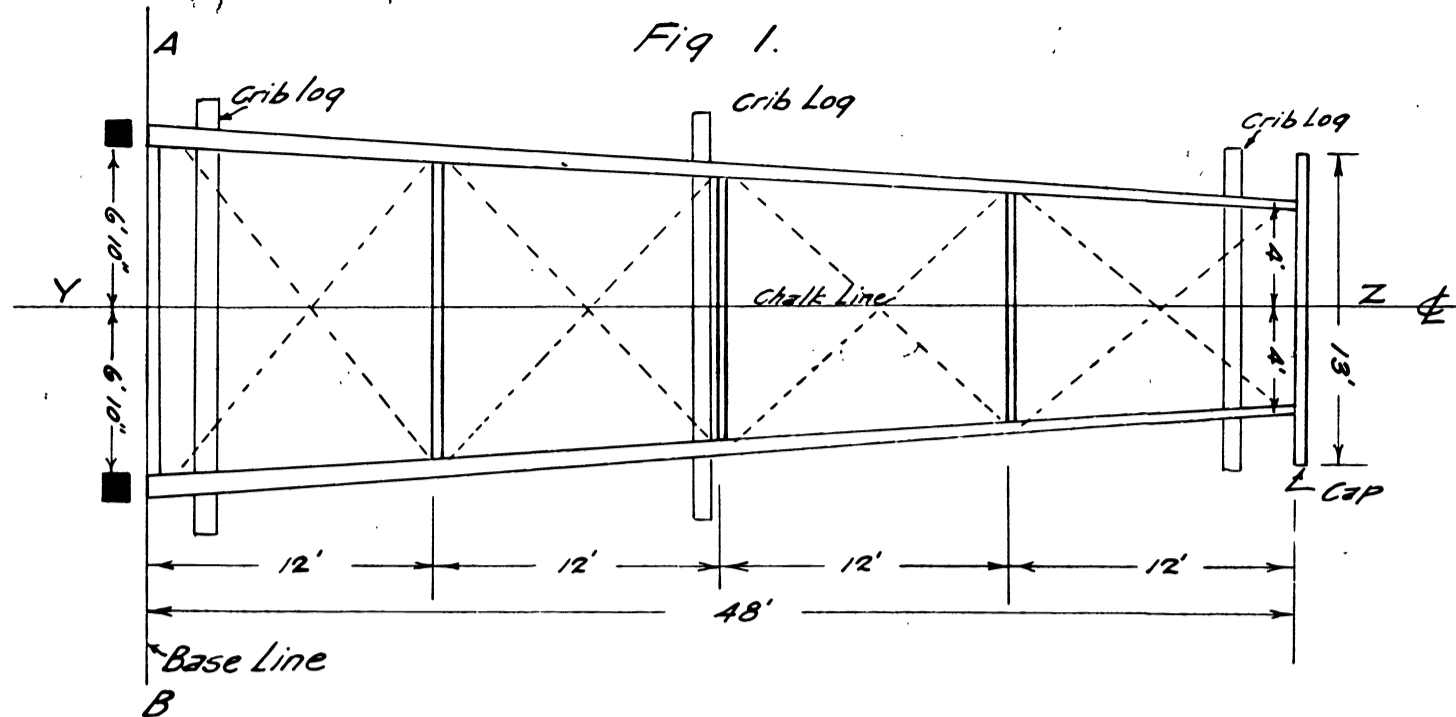


SKETCHES SHOWING METHOD OF ASSEMBLING AND HOISTING TOWER

LAYING OUT TOWER LEGS FOR ASSEMBLING



Where Tower Legs are spliced a 10" x 20" Log is wired to the Leg where the splice occurs. This is to relieve the strain on the splice while the tower is being hoisted. When Tower is in place logs are removed.

R1-L-1932

U. S. DEPT. OF AGRICULTURE
FOREST SERVICE REGION NO. 1
TO BE USED WITH
PLANS L-10, L-11, L-1,
& L-2

Old Plans T-40, T-50,
T-1, T-2
changed 8/1/33

MAR 1932