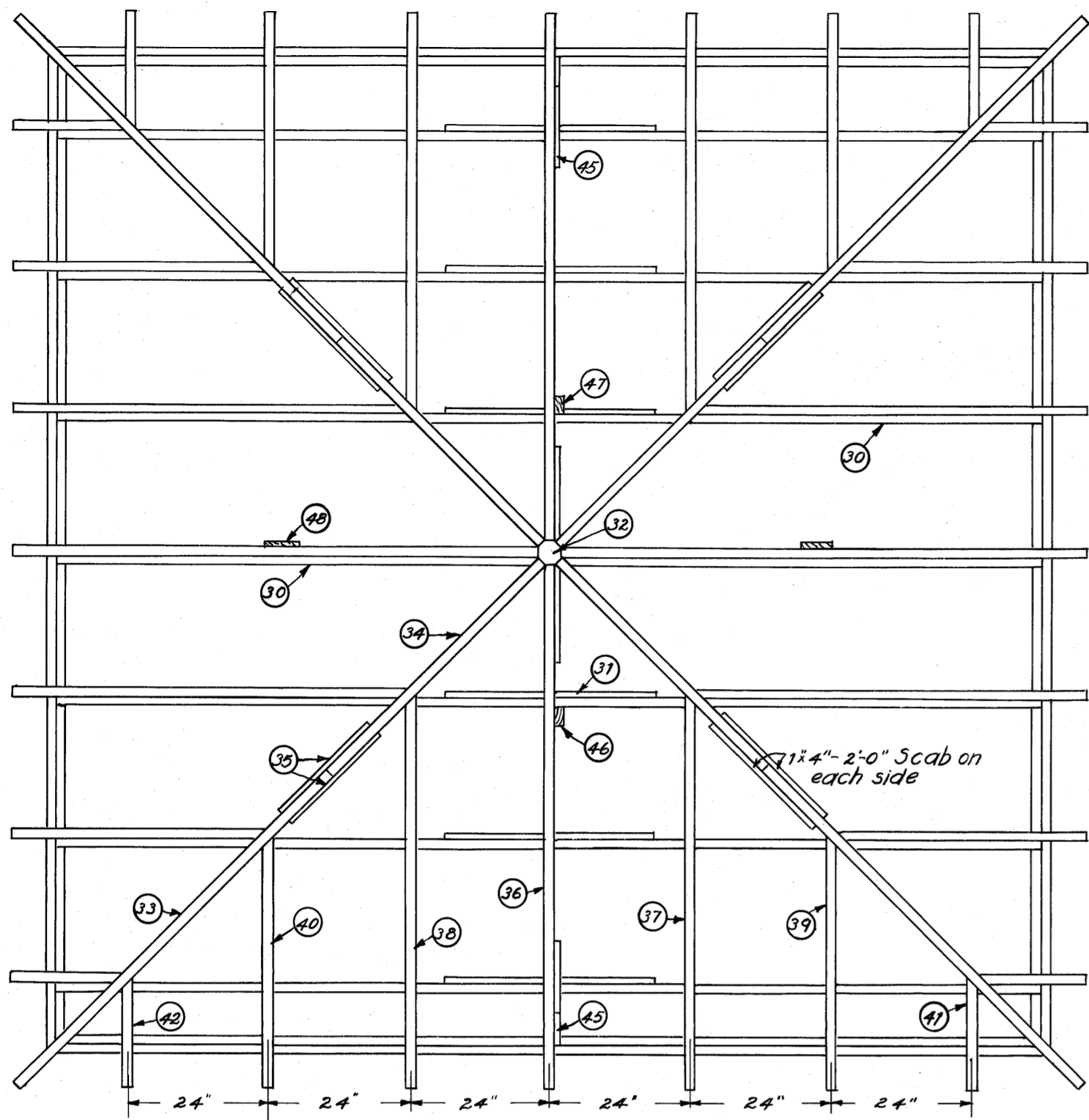


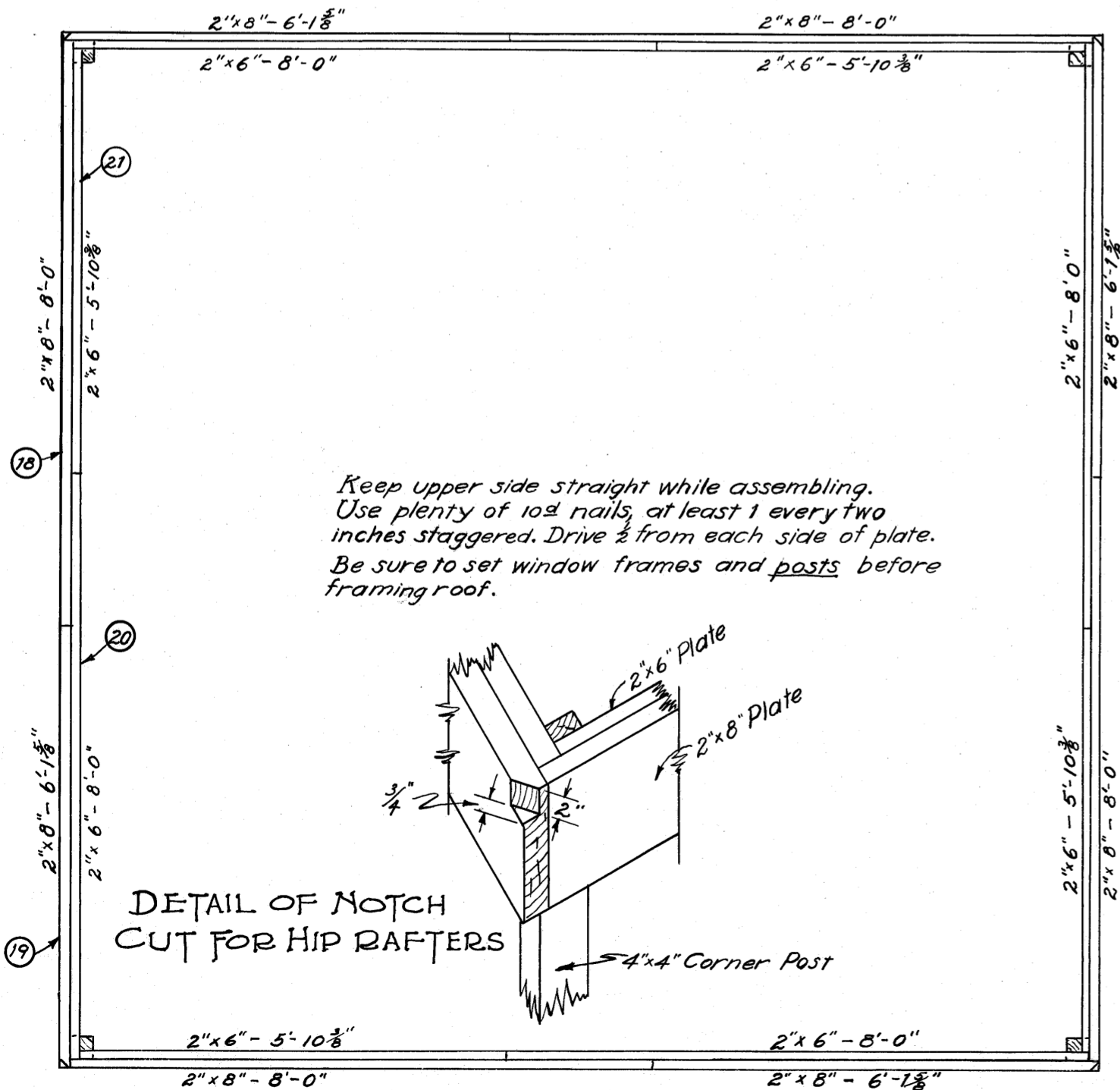
NOTE:
Numbers in circles refer to Item numbers on Bill of Material.

SCALE 1/2" = 1'-0"

FOREST SERVICE		
LOOKOUT HOUSE		
R.I TYPE		
PLAN R-4 #80		
TRACED FROM R-1 PLAN L-4		
SHEET 1 OF 10		
CHECKED	DATE	SCALE
G.L.N.	7-18-33	1/2" = 1' FOOT
APPROVED	C.N.W.	DETAILS AS SHOWN
	7-19-33	

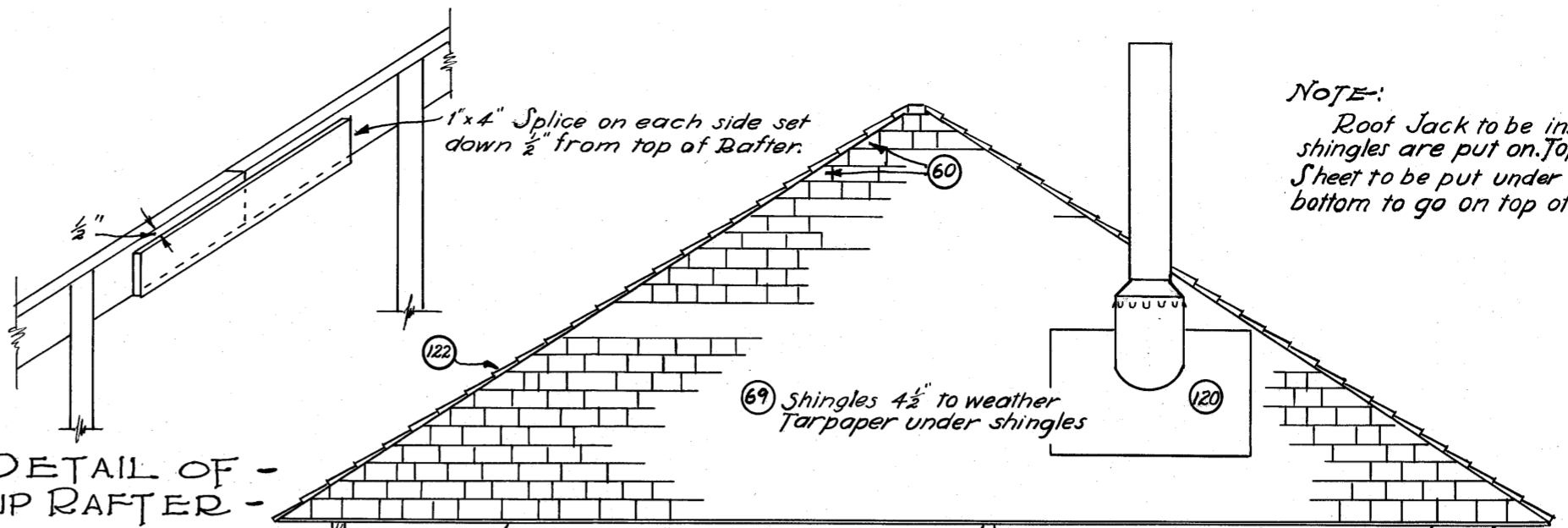


- ROOF FRAMING PLAN -

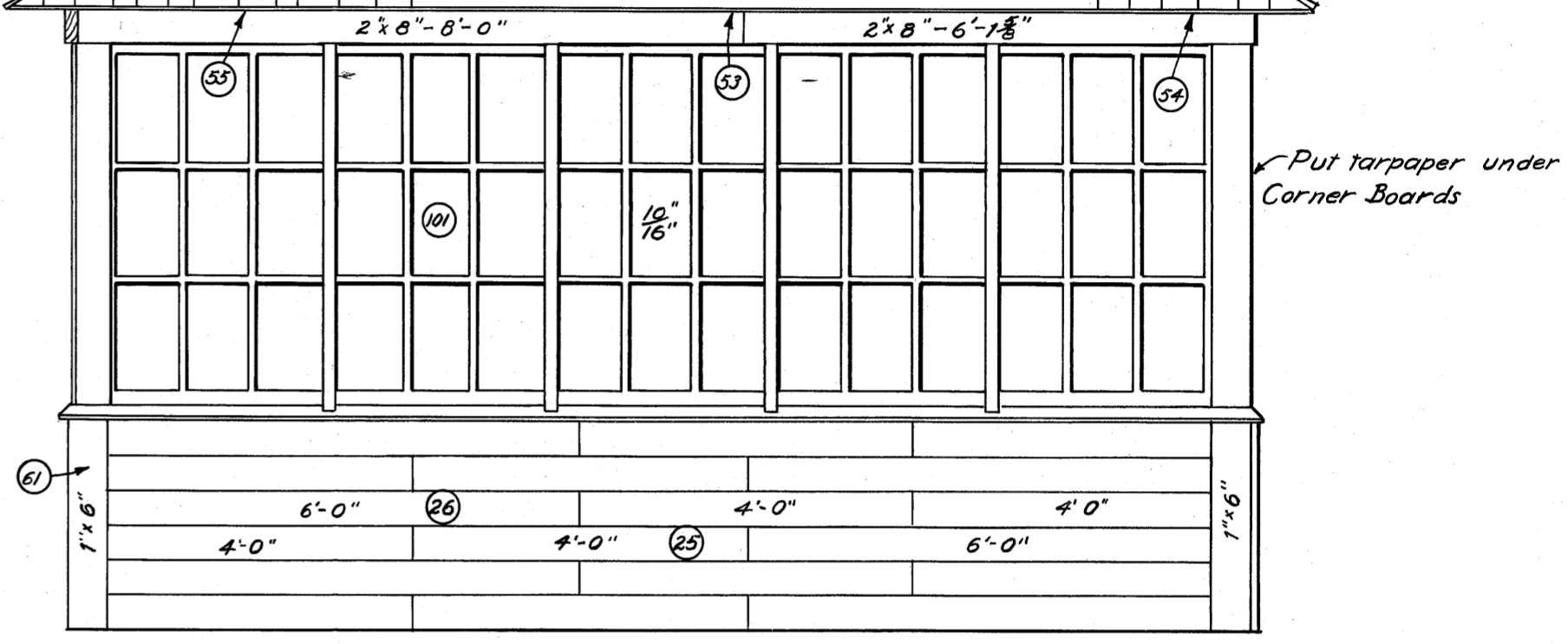


- DETAIL OF CAP PLATE -

DETAIL OF - HIP RAFTER -
- SPLICE -
- SCALE 1/2" = 1 FT -

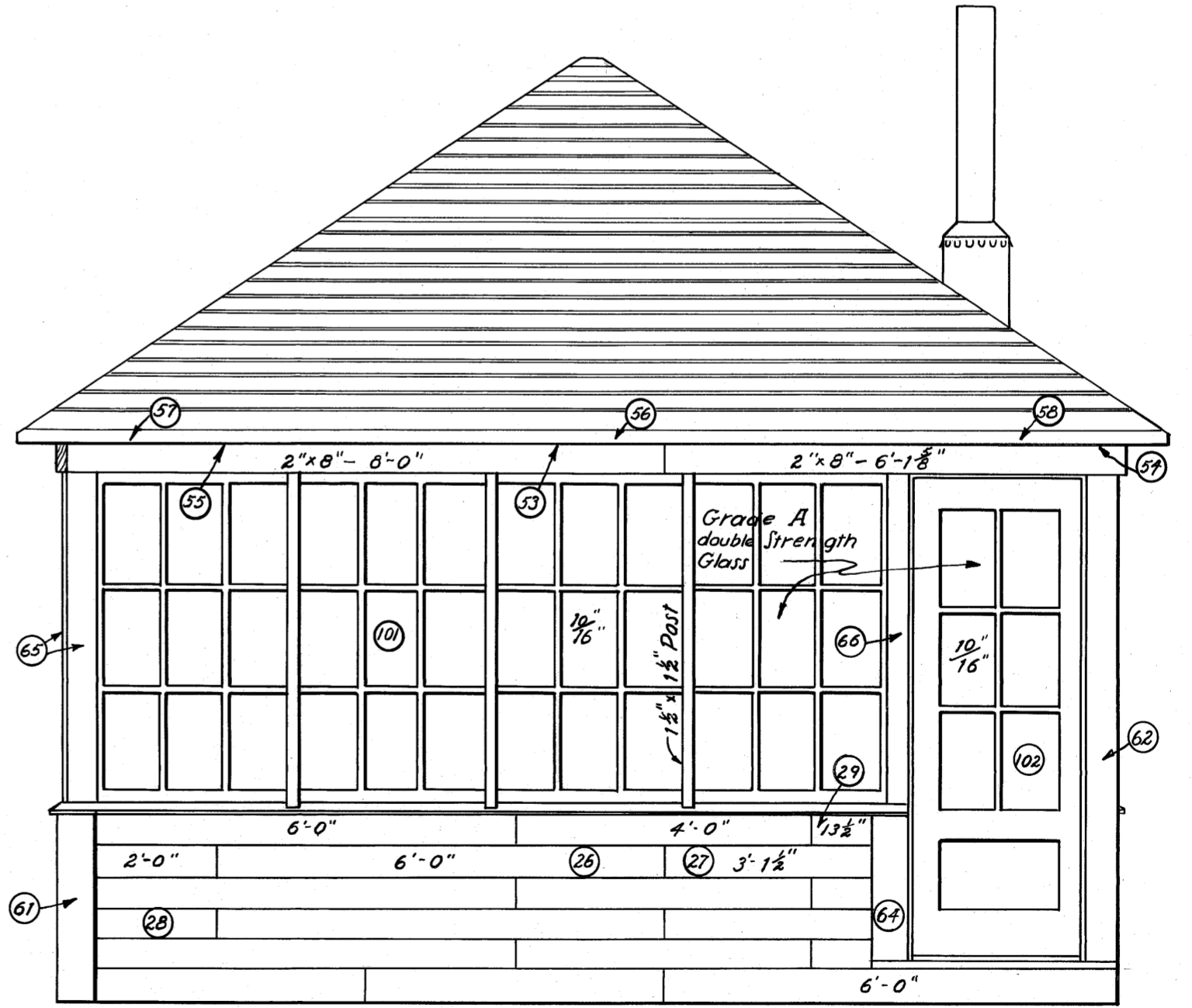


NOTE:
Roof Jack to be installed when shingles are put on. Top of Flashing Sheet to be put under shingles and bottom to go on top of shingles.



- SIDE ELEVATION -

NOTE: Put siding on from the top down over tarpaper



- FRONT ELEVATION -

FOREST SERVICE		
LOOKOUT HOUSE		
R.I TYPE		
PLAN R-4 #80		
TRACED FROM R-1		
PLAN L-4		
SHEET 2 OF 10		
CHECKED	DATE	SCALE
G.L.N.	1-21-33	1/2" = 1 Foot
APPROVED	C.N.Y.	4-21-33