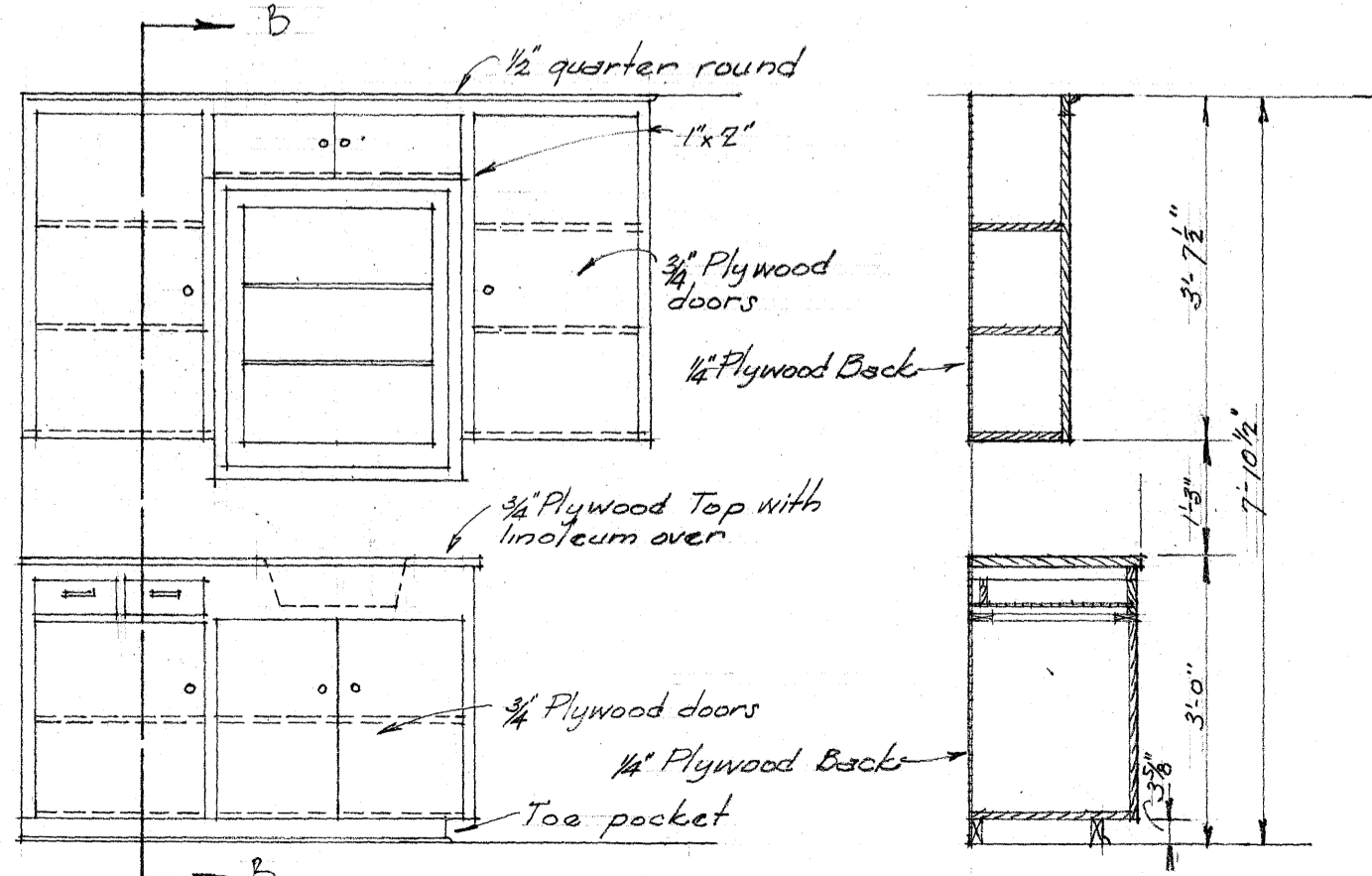
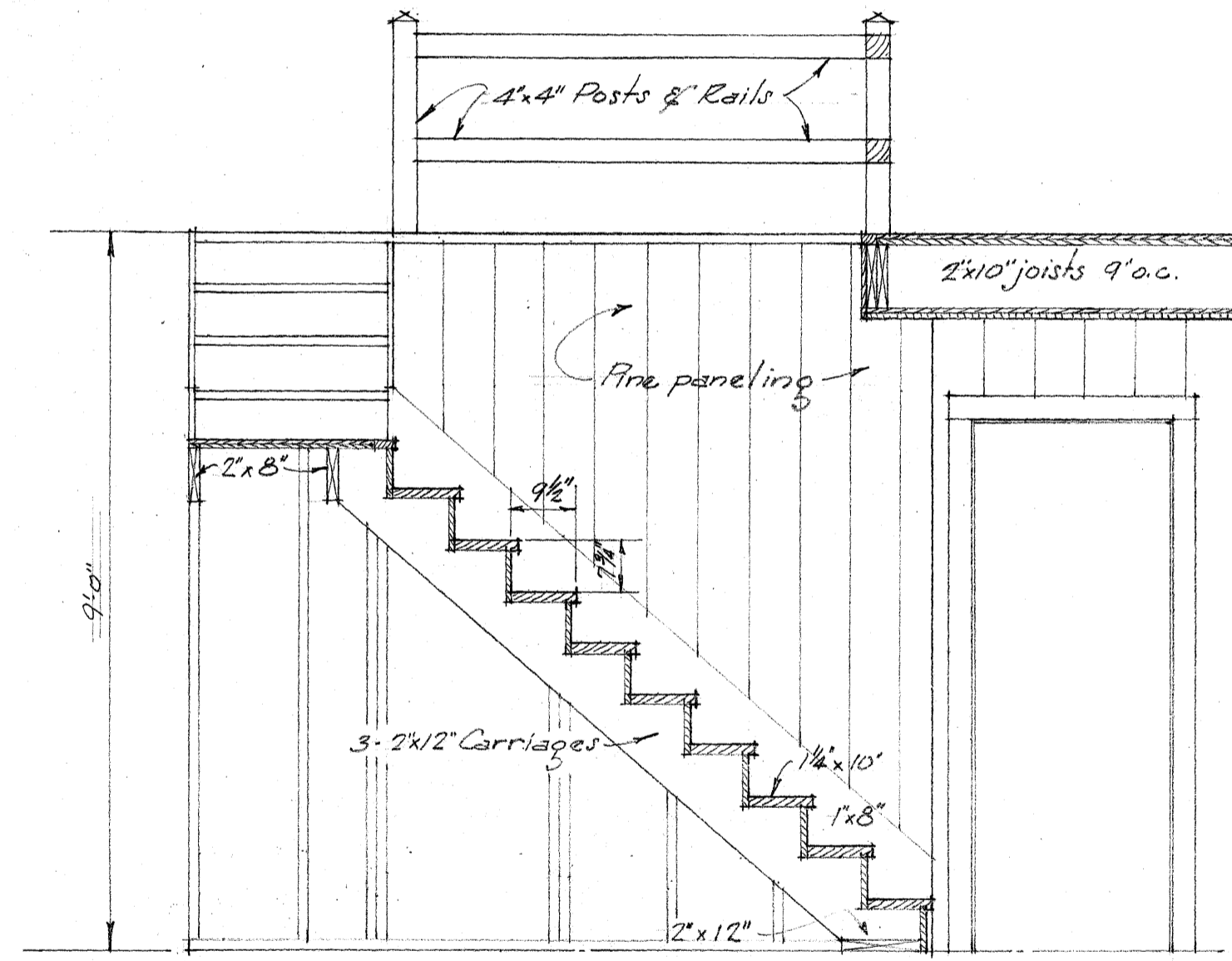


FIRST FLOOR PLAN  
Scale: 1/4" = 1'-0"



ELEVATION SECTION  
KITCHEN CABINET Scale: 1/2" = 1'-0"

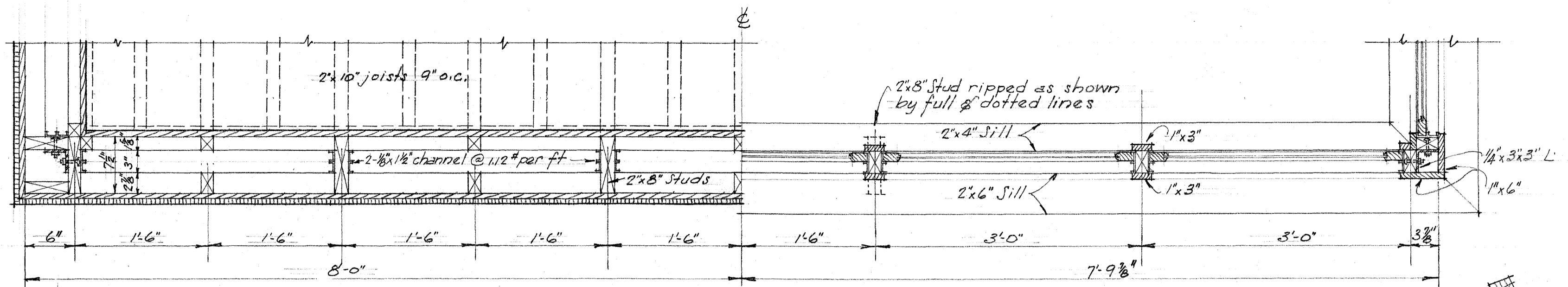


STAIR DETAIL  
Scale: 1/2" = 1'-0"

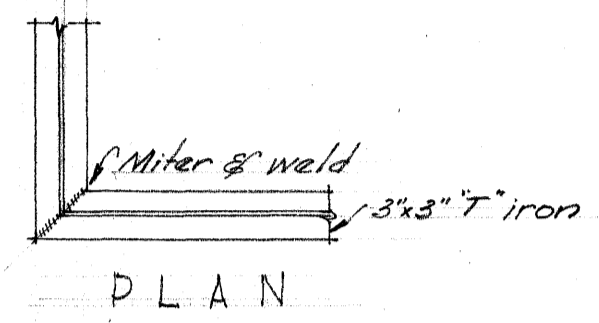
U. S. DEPARTMENT OF AGRICULTURE  
FOREST SERVICE  
REGION - 4 A. L. ANDERSON, REGIONAL ENGINEER

LOOKOUT HOUSE  
2 FLOOR

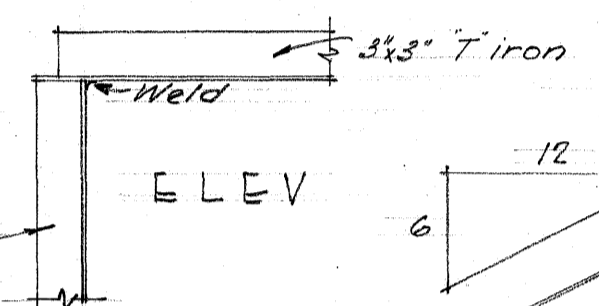
PLAN R-4 #86 SHEET 1 OF 7  
DESIGNED G. L. NICHOLS DRAW H. W. C. TRACED H. W. C.  
SCALE AS SHOWN CHECKED G. L. N.  
APPROVED G. L. NICHOLS - A. E. DATE 6-6-40  
A. Anderson ARE



SECTION "A-A" Scale: 1"=1'-0"



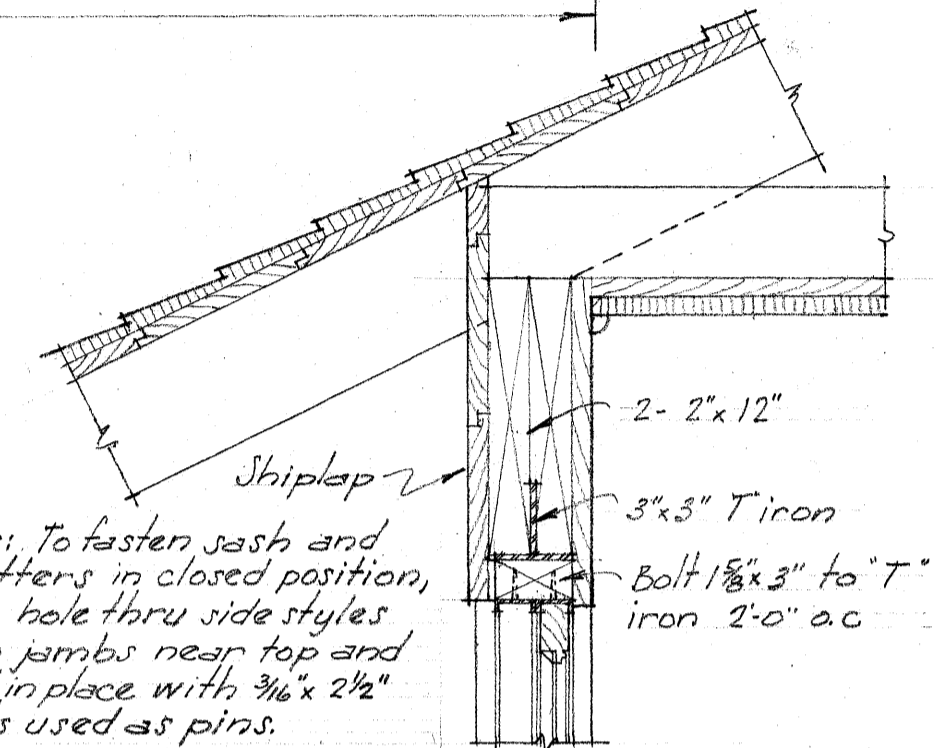
PLAN



ELEV

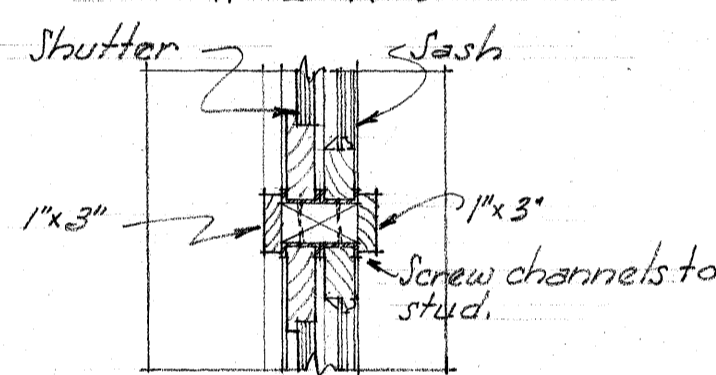
DETAIL OF ANGLE & "T" CONNECTION

22 ga. black iron chimney and ventilator with spark arrester  
 Saffty flue to be Payne A' gas vent with inner aluminum tube 6" diam, 2 layers of air cell asbestos and outer casing of galv. iron. All fittings to be of double construction, vapor proof. Available from Mountain Fuel Supply Co Ogden, Ut.  
 Pipe and vent to be joined securely

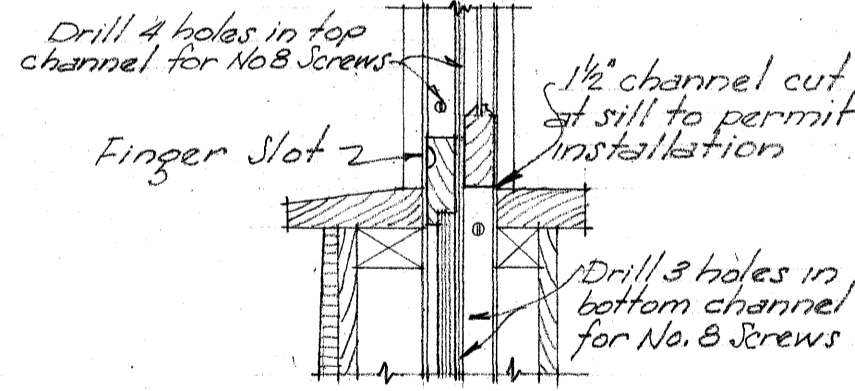


HEAD

Note: To fasten sash and shutters in closed position, bore hole thru side styles into jambs near top and hold in place with 3/16 x 2 1/2 bolts used as pins.

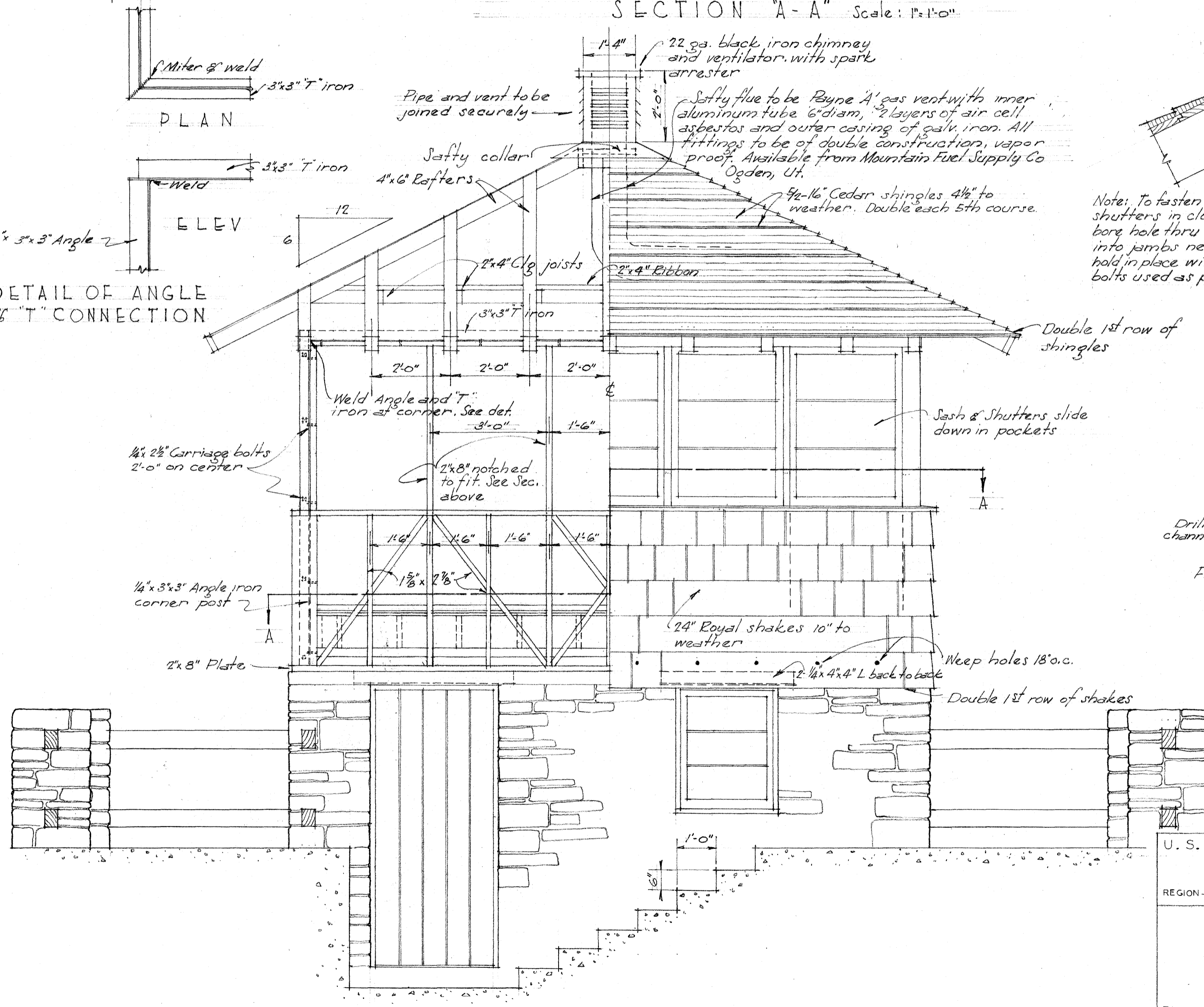


MULLION



SILL

WINDOW & SHUTTER DETAIL Scale: 1/2"=1'-0"



HALF FRAMING - HALF FINISHED ELEV. Scale: 1/2"=1'-0"

U. S. DEPARTMENT OF AGRICULTURE  
 FOREST SERVICE  
 REGION - 4 A. L. ANDERSON, REGIONAL ENGINEER

LOOKOUT HOUSE  
 2 FLOOR

PLAN R-4 #86 SHEET 3 OF 7  
 DESIGNED G.L.N., H.W.C. DRAWN H.W.C. TRACED H.W.C.  
 SCALE AS SHOWN CHECKED G.L.N.  
 APPROVED G.L. NICHOLS, A.E. DATE 6-6-40  
 A. L. Anderson ARF